

IPD WD 5P2,5 M25 BK - Panel feed-through



1047345

<https://www.phoenixcontact.com/us/products/1047345>

Please be informed that the data shown in this PDF document is generated from our online catalog. Please find the complete data in the user documentation. Our general terms of use for downloads are valid.



Panel feed-through, Push-in connection, number of positions: 4+PE, 0.5 mm² ... 2.5 mm², 600 V, 20 A, black, external cable diameter: 7 mm ... 11 mm and 11 mm ... 16 mm, assembly thread: M25, Push-in connection

Your advantages

- Convenient: quick and easy assembly without special tools

Commercial data

Item number	1047345
Packing unit	1 pc
Minimum order quantity	1 pc
Sales key	BF51
Product key	BF6ICA
GTIN	4055626646169
Weight per piece (including packing)	82.9 g
Weight per piece (excluding packing)	80.5 g
Customs tariff number	85366990
Country of origin	CN

1047345

<https://www.phoenixcontact.com/us/products/1047345>

Technical data

Product properties

Product type	Panel feed-through
Product family	IPD
Number of positions	5
Connection profile	4+PE
Position marking	1, 2, 3, N, PE
Series	IPD

Insulation characteristics

Overvoltage category	III
Degree of pollution	3

Connection data

Connection technology

Connection technology	Push-in connection
Connection system, internal	Push-in connection
Frequency of connections between conductors of the same cross section	10

Conductor connection

Conductor cross section flexibel	0.5 mm ² ... 2.5 mm ²
Conductor cross section solid	0.5 mm ² ... 2.5 mm ²
Connection cross section AWG	20 ... 14

Electrical properties

Rated surge voltage (III/3)	6 kV
Rated current	20 A
Rated voltage (III/3)	600 V
Nominal voltage U _N	690 V AC
	690 V DC
Nominal current I _N	20 A (observe derating)

Mechanical properties

Mechanical data

Insertion/withdrawal cycles	10
-----------------------------	----

Material specifications

Material	PA
Flammability rating according to UL 94	V0
Contact material	Cu
Contact surface material	Ni/Sn

IPD WD 5P2,5 M25 BK - Panel feed-through



1047345

<https://www.phoenixcontact.com/us/products/1047345>

Cable/line

External cable diameter ()	7 mm ... 11 mm
	11 mm ... 16 mm
Stripping length of the individual wire	10 mm
Position marking	1, 2, 3, N, PE

Mounting

Mounting type	Front mounting M25
Connection method	Push-in connection

Environmental and real-life conditions

Ambient conditions

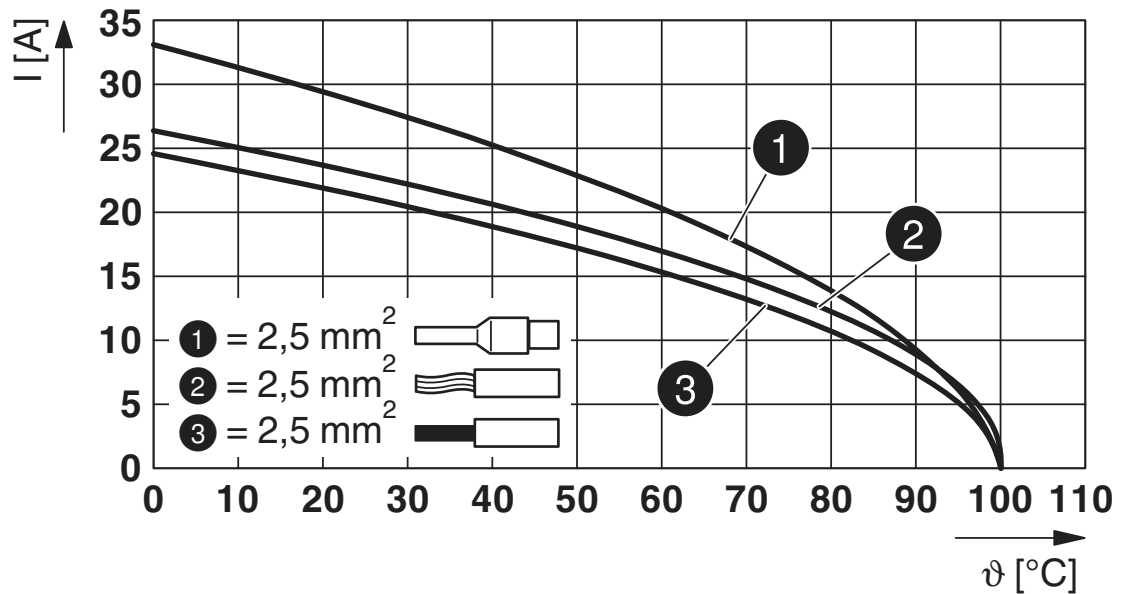
Degree of protection	IP66
	IP68 (2 m / 24 h)
	IP69K
Ambient temperature (operation)	-40 °C ... 100 °C (T = 55 °C)
Temperature when conductor connected	-5 °C ... 50 °C
Ambient temperature (storage/transport)	-40 °C ... 100 °C

1047345

<https://www.phoenixcontact.com/us/products/1047345>

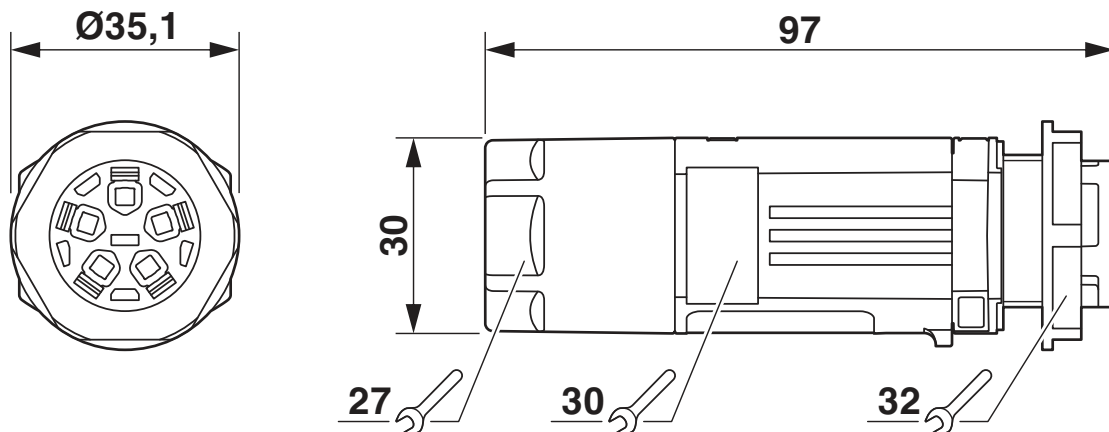
Drawings

Diagram



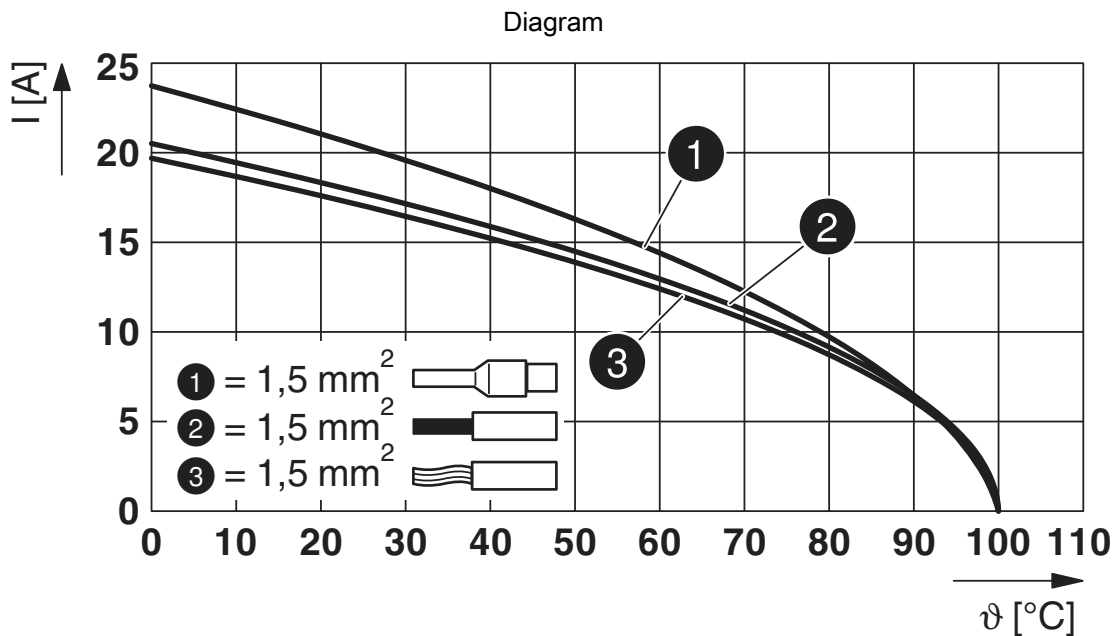
Derating diagram for 2.5 mm²

Dimensional drawing

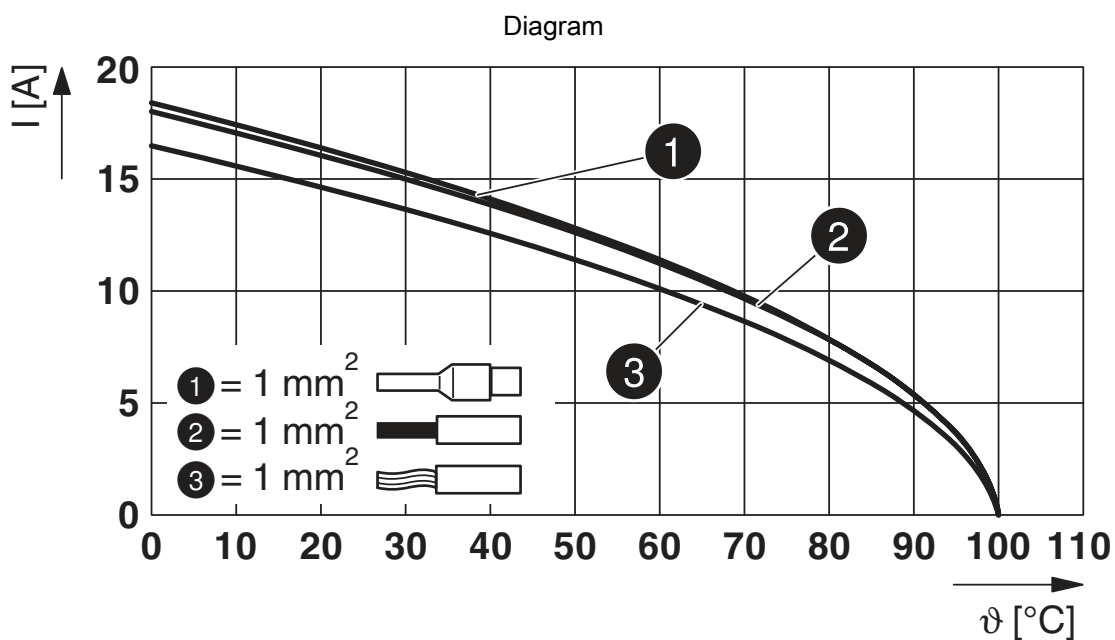


1047345

<https://www.phoenixcontact.com/us/products/1047345>



Derating diagram for 1.5 mm²



Derating diagram for 1.0 mm²

IPD WD 5P2,5 M25 BK - Panel feed-through




1047345

<https://www.phoenixcontact.com/us/products/1047345>

Approvals

To download certificates, visit the product detail page: <https://www.phoenixcontact.com/us/products/1047345>

 VDE Zeichengenehmigung Approval ID: 40049992				
	Nominal voltage U_N	Nominal current I_N	Cross section AWG	Cross section mm^2
	690 V	20 A	-	0.5 - 2.5

DNV Approval ID: TAE00004G2				
---------------------------------------	--	--	--	--

IPD WD 5P2,5 M25 BK - Panel feed-through



1047345

<https://www.phoenixcontact.com/us/products/1047345>

Classifications

ECLASS

ECLASS-11.0	27440602
ECLASS-13.0	27440602
ECLASS-12.0	27440602

ETIM

ETIM 8.0	EC002566
----------	----------

UNSPSC

UNSPSC 21.0	39121500
-------------	----------

IPD WD 5P2,5 M25 BK - Panel feed-through



1047345

<https://www.phoenixcontact.com/us/products/1047345>

Environmental product compliance

China RoHS	Environmentally friendly use period: unlimited = EFUP-e
	No hazardous substances above threshold values

IPD WD 5P2,5 M25 BK - Panel feed-through



1047345

<https://www.phoenixcontact.com/us/products/1047345>

Accessories

SEALING PLUG 10X16 RD - Closing cap

1400284

<https://www.phoenixcontact.com/us/products/1400284>



Closing cap, for threads pluggable, color: red

SEALING PLUG 7X16 RD - Closing cap

1400255

<https://www.phoenixcontact.com/us/products/1400255>



Closing cap, color: red

IPD WD 5P2,5 M25 BK - Panel feed-through



1047345

<https://www.phoenixcontact.com/us/products/1047345>

ZBF 4:UNBEDRUCKT - Zack Marker strip, flat

0808587

<https://www.phoenixcontact.com/us/products/0808587>



Zack Marker strip, flat, Strip, white, unlabeled, can be labeled with: CMS-P1-PLOTTER, PLOTMARK, mounting type: snapped, for terminal block width: 4 mm, lettering field size: 4.2 x 5.2 mm, Number of individual labels: 10

UC-TMF 4 - Marker for terminal blocks

0818166

<https://www.phoenixcontact.com/us/products/0818166>



Marker for terminal blocks, Sheet, white, unlabeled, can be labeled with: BLUEMARK ID COLOR, BLUEMARK ID, BLUEMARK CLED, PLOTMARK, CMS-P1-PLOTTER, mounting type: snapped, for terminal block width: 4.2 mm, lettering field size: 3.6 x 5.1 mm, Number of individual labels: 120

IPD WD 5P2,5 M25 BK - Panel feed-through



1047345

<https://www.phoenixcontact.com/us/products/1047345>

UCT-TMF 4 - Marker for terminal blocks

0828742

<https://www.phoenixcontact.com/us/products/0828742>



Marker for terminal blocks, Sheet, white, unlabeled, can be labeled with: TOPMARK NEO, TOPMARK LASER, BLUEMARK ID COLOR, BLUEMARK ID, BLUEMARK CLED, THERMOMARK PRIME, THERMOMARK CARD 2.0, THERMOMARK CARD, mounting type: snapped, for terminal block width: 4.2 mm, lettering field size: 3.4 x 4.7 mm, Number of individual labels: 90

SZF 1-0,6X3,5 - Screwdriver

1204517

<https://www.phoenixcontact.com/us/products/1204517>



Actuation tool, for ST terminal blocks, also suitable for use as a bladed screwdriver, size: 0.6 x 3.5 x 100 mm, 2-component grip, with non-slip grip

IPD WD 5P2,5 M25 BK - Panel feed-through



1047345

<https://www.phoenixcontact.com/us/products/1047345>

CRIMPFOX CENTRUS 6S - Crimping pliers

1213144

<https://www.phoenixcontact.com/us/products/1213144>



Crimping pliers, for uninsulated and insulated ferrules, DIN 46228 Part 1 and 4, from 0.14 mm² ... 6 mm², also for TWIN ferrules up to 2 x 4 mm², automatic cross section adjustment, lateral insertion, equipped with fall protection

QSS 27 - Socket wrench

1670646

<https://www.phoenixcontact.com/us/products/1670646>



Allen wrench, for loosening and fastening the QUICKON union nut, WAF 27 mm

Phoenix Contact 2023 © - all rights reserved
<https://www.phoenixcontact.com>

Phoenix Contact USA
586 Fulling Mill Road
Middletown, PA 17057, United States
(+717) 944-1300
info@phoenixcon.com