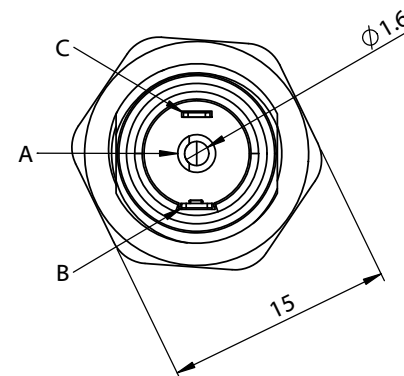
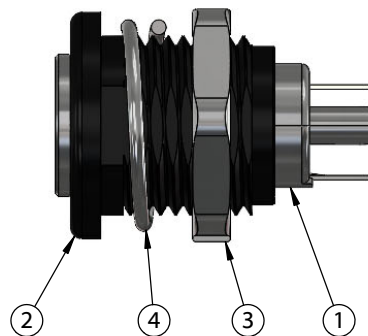
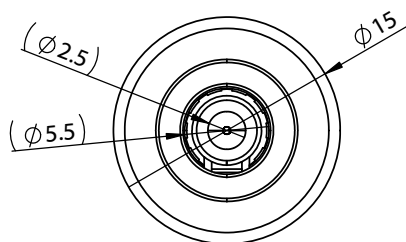
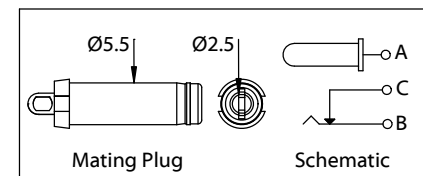
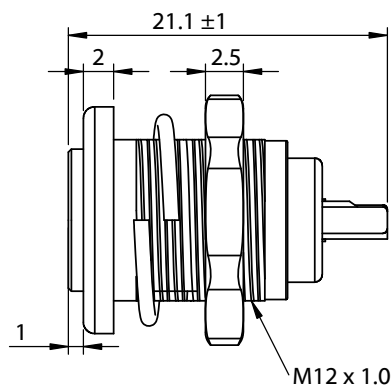
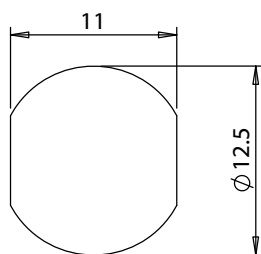


ITEM NO.	DESCRIPTION	MATERIAL	QTY.	NOTES
1	50-00999	Connector, dc jack, 5.5x2.5xL22.0 mm, nickel plating, molding style, switch	1	
2	24-00387	Overmold, jack, Ø15 mm, panel mount, M12x1.0	1	LCP, black
3	56-00024	Hardware, nut, hex, 15x2.5 mm, M12x1.0, brass, nickel plated	1	
4	56-00025	Hardware, washer, lock, M12, nickel plated	1	

Installation Details

Panel thickness: 4.5 mm max
Recommended panel cutout:



Revision:	Date:	Description:	Prepared:	Notes:	<h1>TENSILITY</h1> tel 1.541.323.3228 800 877.670.7118 fax 1.541.323.4202 web tensility.com
A	8/16/2022	Initial release	MP <small>Digitally signed by MP Date: 2022.08.22 12:03:44 -07'00'</small>	RoHS compliant	
			Verified:	Function test: no open, no short circuit, no intermittent	Size: Part number: A 54-00310
			JD <small>Digitally signed by JD Date: 2022.08.22 13:46:12 -07'00'</small>	Description: Connector, dc jack w/switch, 5.5x2.5xL22 mm, panel mount, threaded, nut and washer	
			Dimensions are in millimeters. Tolerances: X: ± 0.3 mm X.X: ± 0.1 mm X.XX: ± 0.05 mm		Scale: 2:1
					Sheet 1 of 2

5

4

3

2

1

