

1

2

3

4

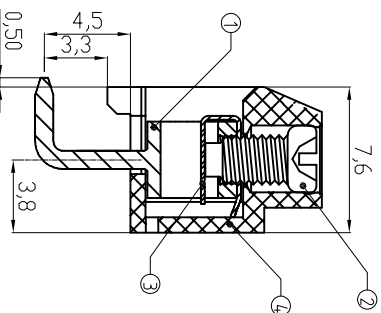
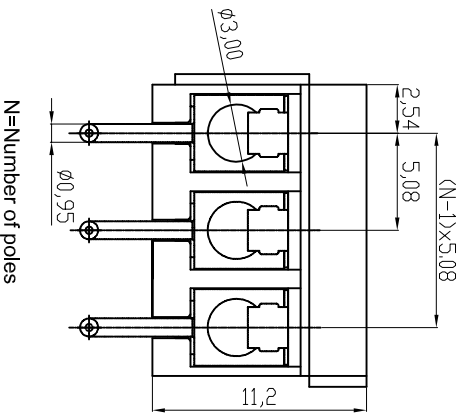
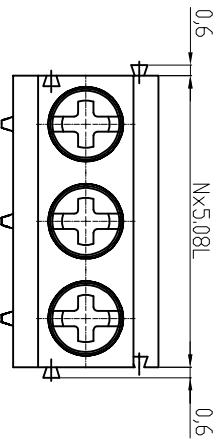
5

6

7

Material

- ① Terminal body(metal housing): Brass(CuZn), Tin plated
- ② Terminal screw: Steel Zinc plating "+/-" slot type
- ③ Wire guard:Stainless steel
- ④ Insulator (housing): Thermoplastic (UL94V-0) , GREEN



Electrical cULus

Voltage rating: 300V

Current rating: 15A

Wire range:

Solid wire(AWG): 14-24

Stranded wire(AWG): 14-24

Torque(Lb-In): 3.2

Screw: M2.6

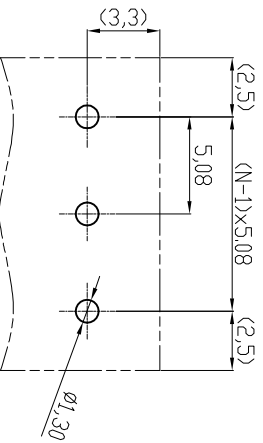
Wire strip length: 5-6mm

Withstanding Voltage: 1.6KV

Operating temperature: -40°C to +115°C

Soldering temperature: 250°C±10°C/5 Sec

Safety Approval: ULus



RECOMMENDER PCB LAYOUT

**RoHS compliant**



File No.: E349947

Scale	1:1
TOLERANCE	
X.	±0.50
X.X	±0.30
X.XX	±0.10
DIM	TOL
X.°	±1°
Angle	TOL

①	Update to new drawing and add UL	07.04.2016	Winnie
②	Drawn	19.04.2010	Alex
Id.	Modification	Date	Name

Drawn	19.04.2010	Alex
Approved	07.04.2016	Winnie

Customer-No.	ASSMANN WSW-No.	Drawing-No.
	A-TB508-T9XX	ASS 4156 CO
		rev01
	Replace	Sheet

1

2

3

4

5

6

7

H

G

F

E

D

C

B

A

G

F

E

D

C

B

A