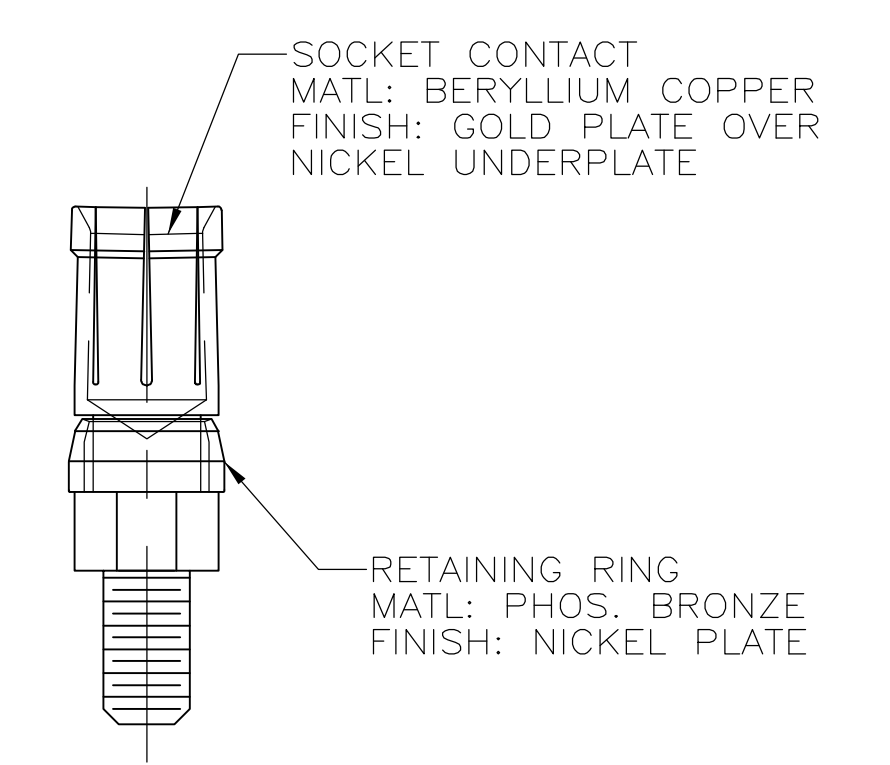
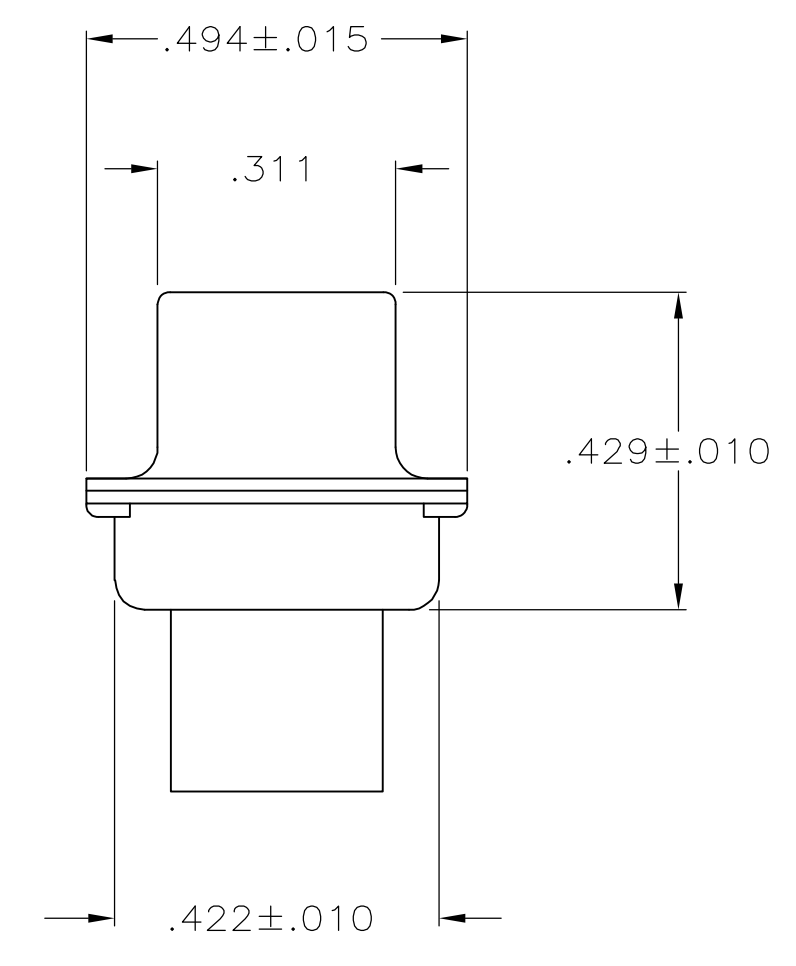
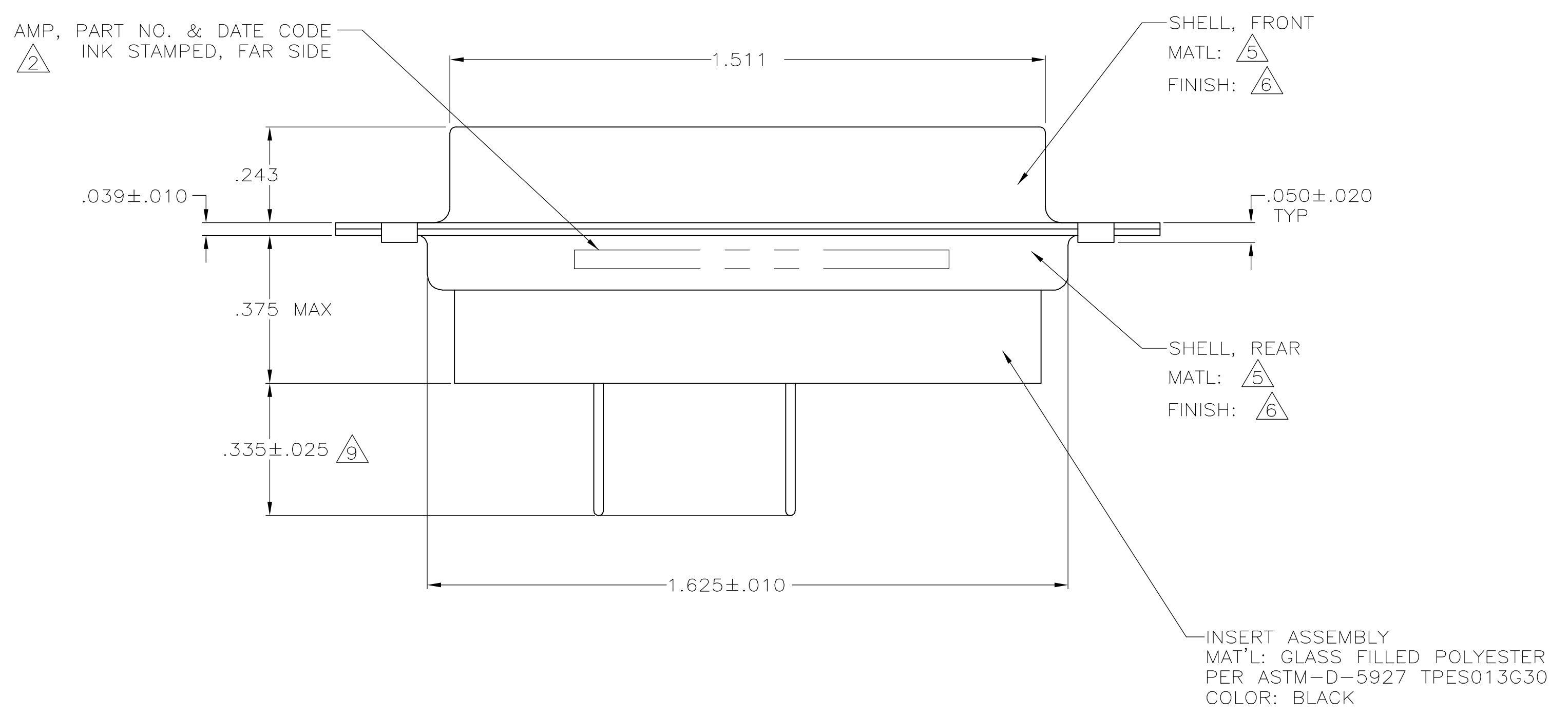
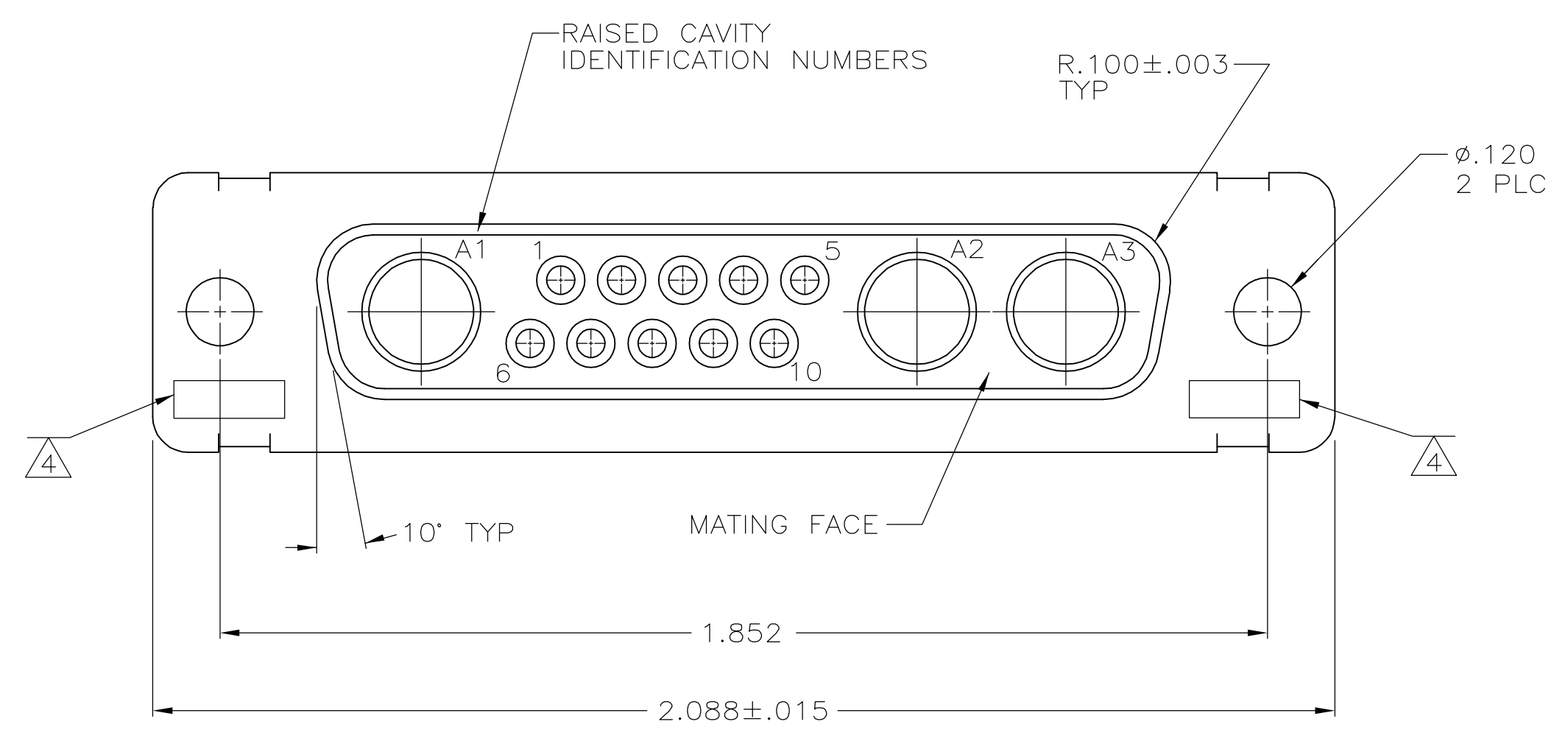


LOC	DIST	REVISIONS				
DF	D1	REV	PER	DATE	BY	APP'D
A		REV PER	ECO-05-004869	07-05	AA	DM

1. THIS RECEPTACLE WILL MATE WITH ANY 13C3, SIZE 3 PLUG IN AMPLIMITE SERIES.
2. FAR SIDE REFERS TO WIDE SIDE OF KEYSTONE.
3. FOR REPLACEMENT SIZE 20 SIGNAL CONTACTS IN POSITIONS 1 THRU 10, ORDER AMP PART NUMBER 1-208778-0.
4. UL/CSA DESIGNATION STAMPED IN THIS AREA, OPTIONAL.
5. STEEL PER ASTM-A-109.
6. FINISH: CADMIUM PLATED PER QQ-P-416.
7. CONTACTS IN THIS KIT WILL BE PROVIDED LOOSE PIECE (3 POWER CONTACTS AND 10 SIGNAL CONTACTS).
8. THIS DRAWING IS RESTRICTED TO SCI SYSTEMS.
9. CONTACTS ARE NOT LOADED IN CONNECTOR, SHOWN FOR REFERENCE ONLY.



449991-1
PART NO

THIS DRAWING IS A CONTROLLED DOCUMENT.		DWG T. THOMPSON 14-NOV-94	Tyco Electronics Corporation Harrisburg, Pa 17105-3608	
DIMENSIONS: INCHES		CHK H. WYNKOOP 14-NOV-94	NAME H. WYNKOOP 14-NOV-94	
TOLERANCES UNLESS OTHERWISE SPECIFIED:		PRODUCT SPEC		
0 PLC ± -		APPLICATION SPEC		
1 PLC ± -		SIZE		
2 PLC ± -		CAGE CODE		
3 PLC ± .005		DRAWING NO		
4 PLC ± -		RESTRICTED TO		
ANGLES ± - 0°30'		A1 00779 C=449991		
FINISH SEE CALLOUTS		WEIGHT -		
MATERIAL SEE CALLOUTS		CUSTOMER DRAWING		
		SCALE 4:1 SHEET 1 OF 1 REV A		