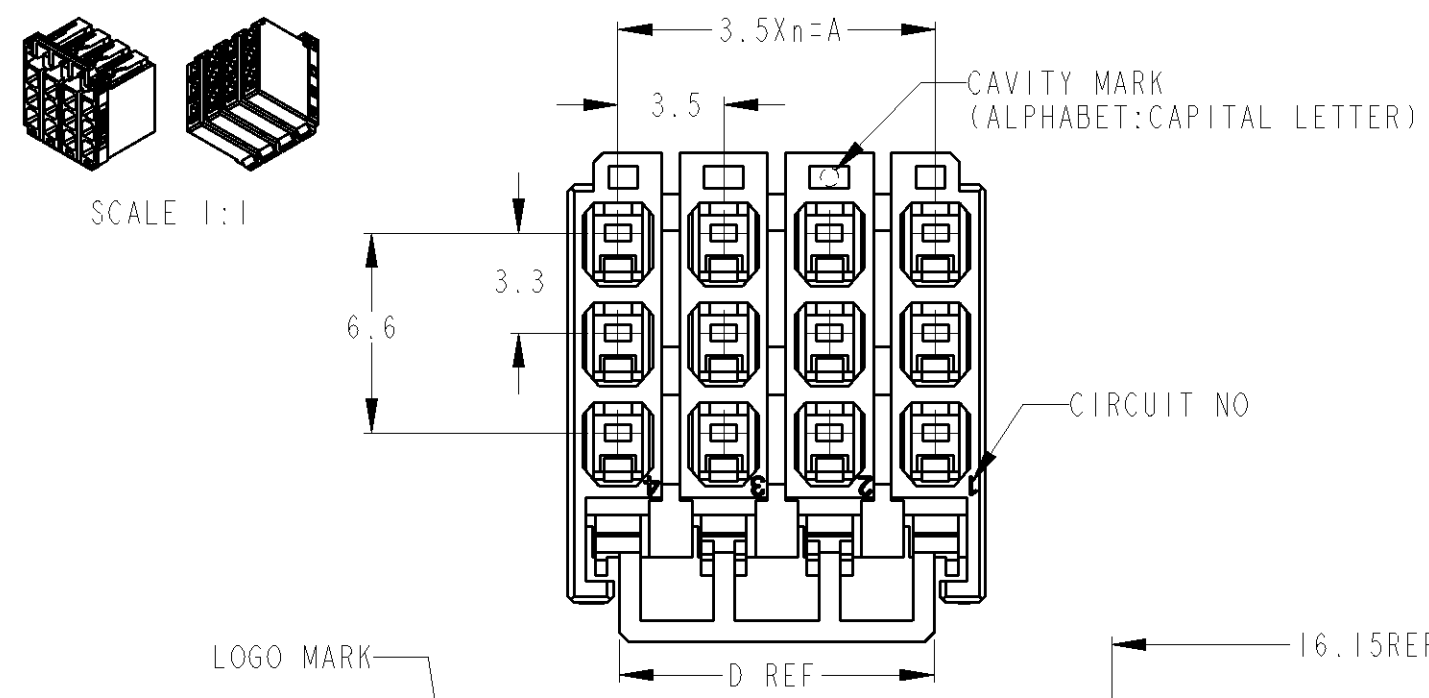


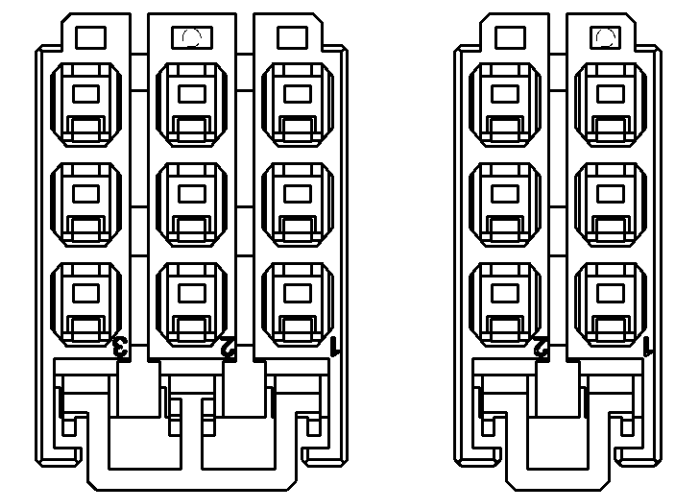
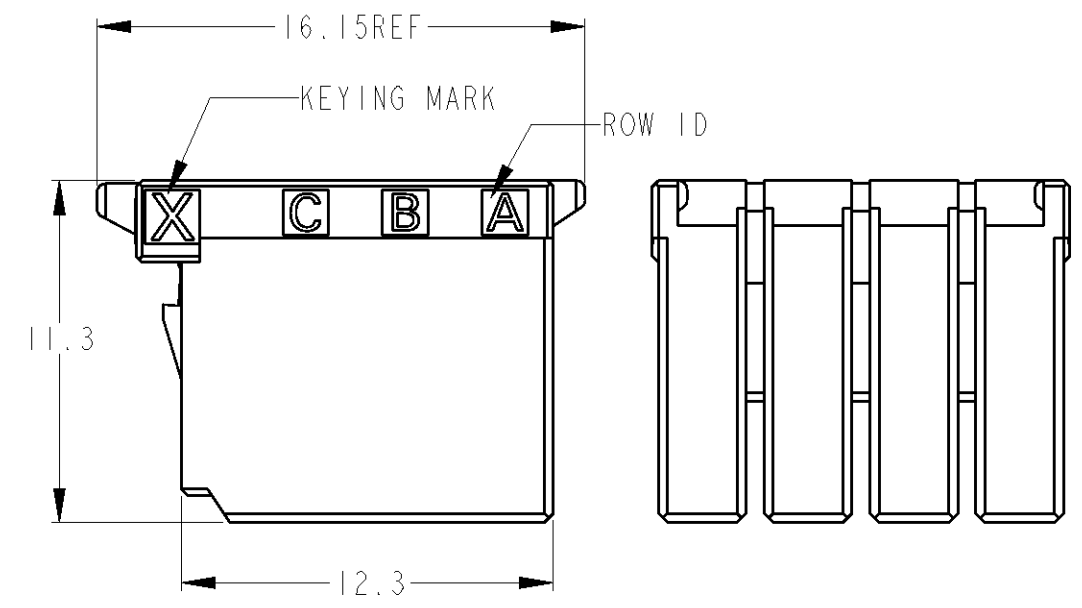
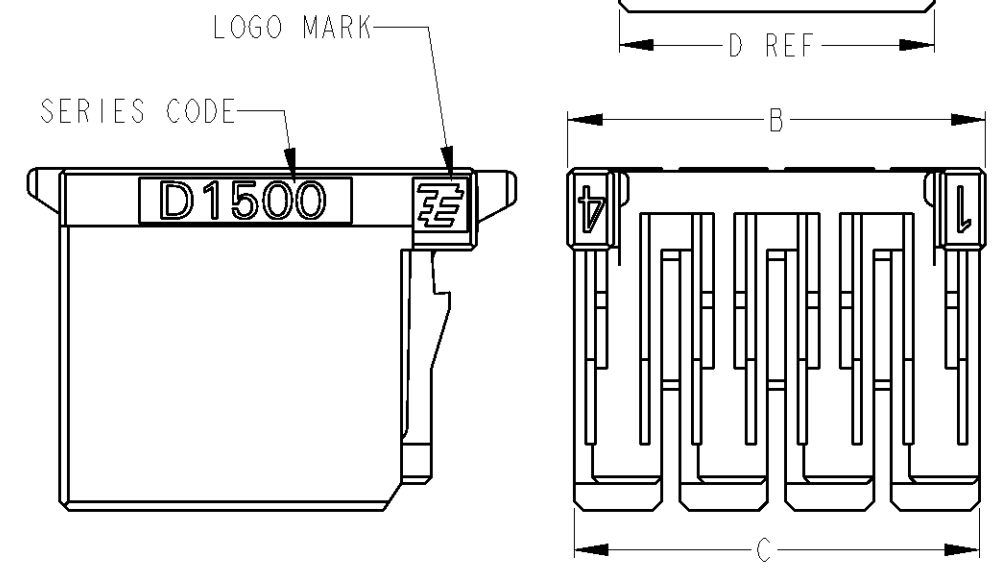
THIS DRAWING IS UNPUBLISHED. RELEASED FOR PUBLICATION 20  
 © COPYRIGHT 20 BY TYCO ELECTRONICS CORPORATION. ALL RIGHTS RESERVED.

LOC	DIST	REVISIONS					
		P	LTR	DESCRIPTION	DATE	DWN	APVD
J	-		A	RELEASED	23APR2010	M.M	T.M

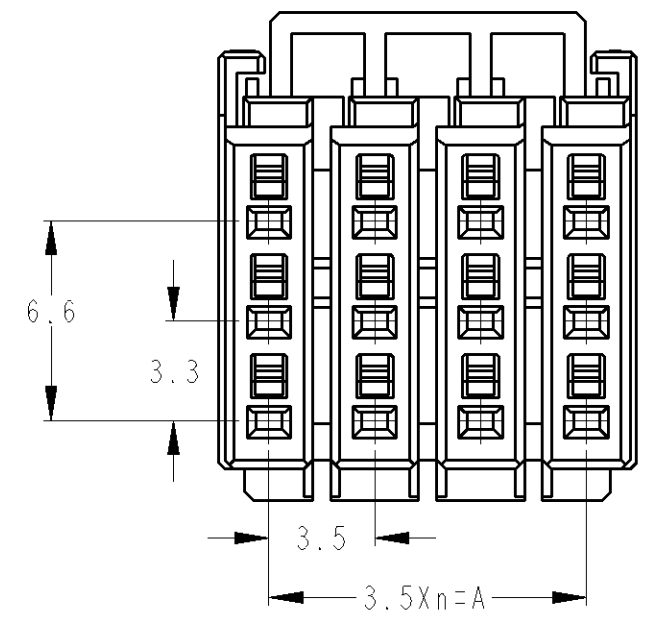


△ MATERIAL: GLASS FILED THERMO PLASTIC POLYESTER(94V-0), COLOR: BLACK  
 2. THE SHAPE, SIZE AND POSITION OF THE CHARACTER SHOW THE OUTLINE. THEY DON'T SHOW DETAILS.

△ 材料: ガラス入り熱可塑性ポリエステル樹脂(94V-0)、色: 黒  
 2. 文字の形状、大きさ、および位置については、大略を示すものであり、詳細を示すものではありません。



POS	KEY	n	A	B	C	D	PART NO
12	X	3	10.5	13.8	13.4	10.2	1-2069029-4
9	X	2	7.0	10.3	9.9	6.7	1-2069029-3
6	X	1	3.5	6.8	6.4	3.2	1-2069029-2



AS SHOWN :  
 12POS (X-KEY): 1-2069029-4

THIS DRAWING IS A CONTROLLED DOCUMENT FOR TYCO ELECTRONICS CORPORATION. IT IS SUBJECT TO CHANGE AND THE CONTROLLING ENGINEERING ORGANIZATION SHOULD BE CONTACTED FOR THE LATEST REVISION.		DWN M. MAEBASHI 23APR2010 CHK N. YAMASAKI 23APR2010 APVD T. MASUDA 23APR2010		<b>Tyco Electronics</b> Tyco Electronics Corporation Kawasaki, Japan	
DIMENSIONS: 単位: 概 mm 		TOLERANCES UNLESS OTHERWISE SPECIFIED: 一般公差 ±0.3, ±5° ① PLC ± ② PLC ±0.1 ③ PLC ±0.02 ④ PLC ±0.005 ⑤ PLC ±0.0005 ANGLES ±		NAME 名称 DYNAMIC DI500T 3.5mm PITCH REC HSG 6-12POS	
MATERIAL 材料 		FINISH 仕上 -		PRODUCT SPEC 108-78268, 78298 APPLICATION SPEC 取付適用規格 114-5377 WEIGHT -	
CUSTOMER DRAWING				SIZE A3 CAGE CODE 00779 DRAWING NO ①=2069029 RESTRICTED TO -	
SCALE 尺度 4:1				SHEET OF REV A	