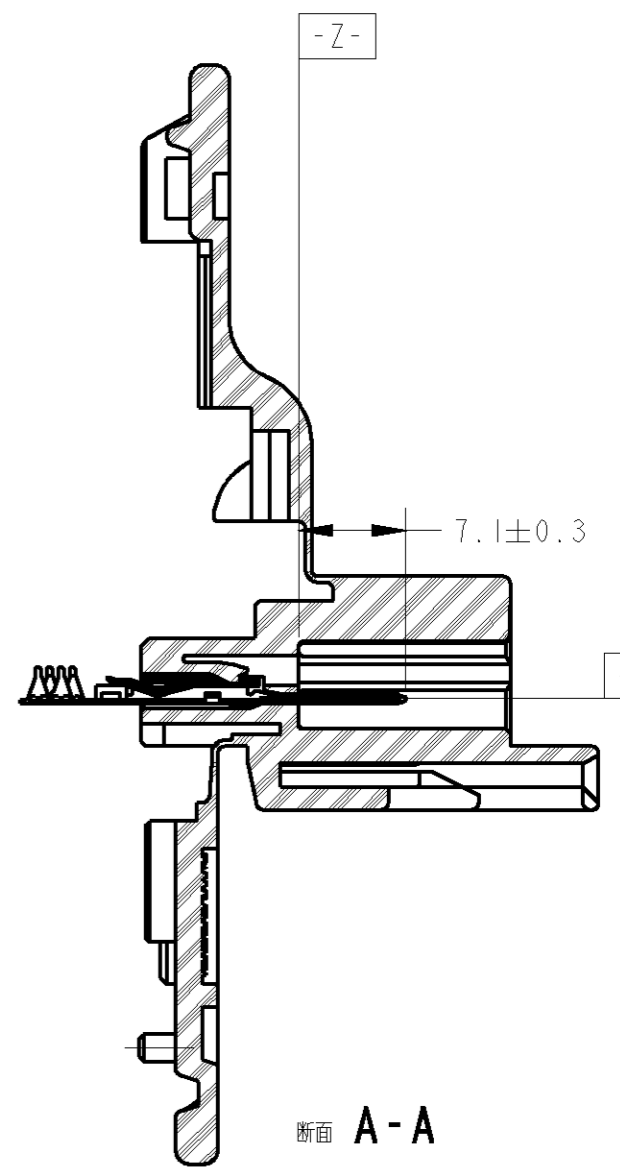
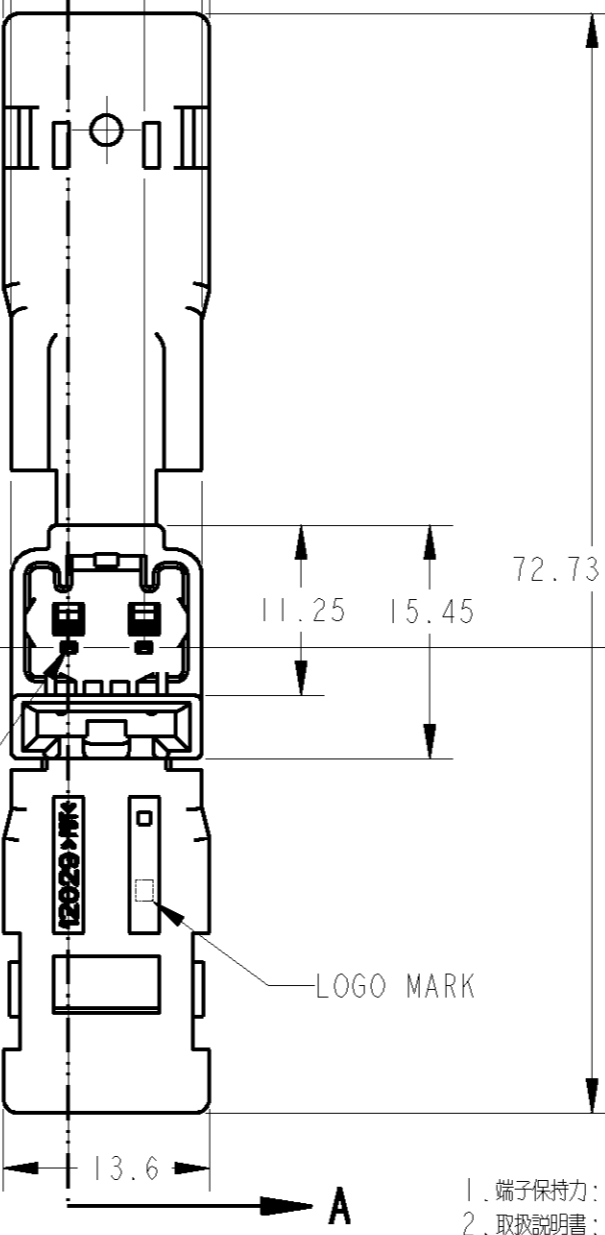
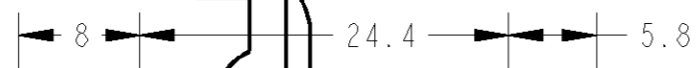
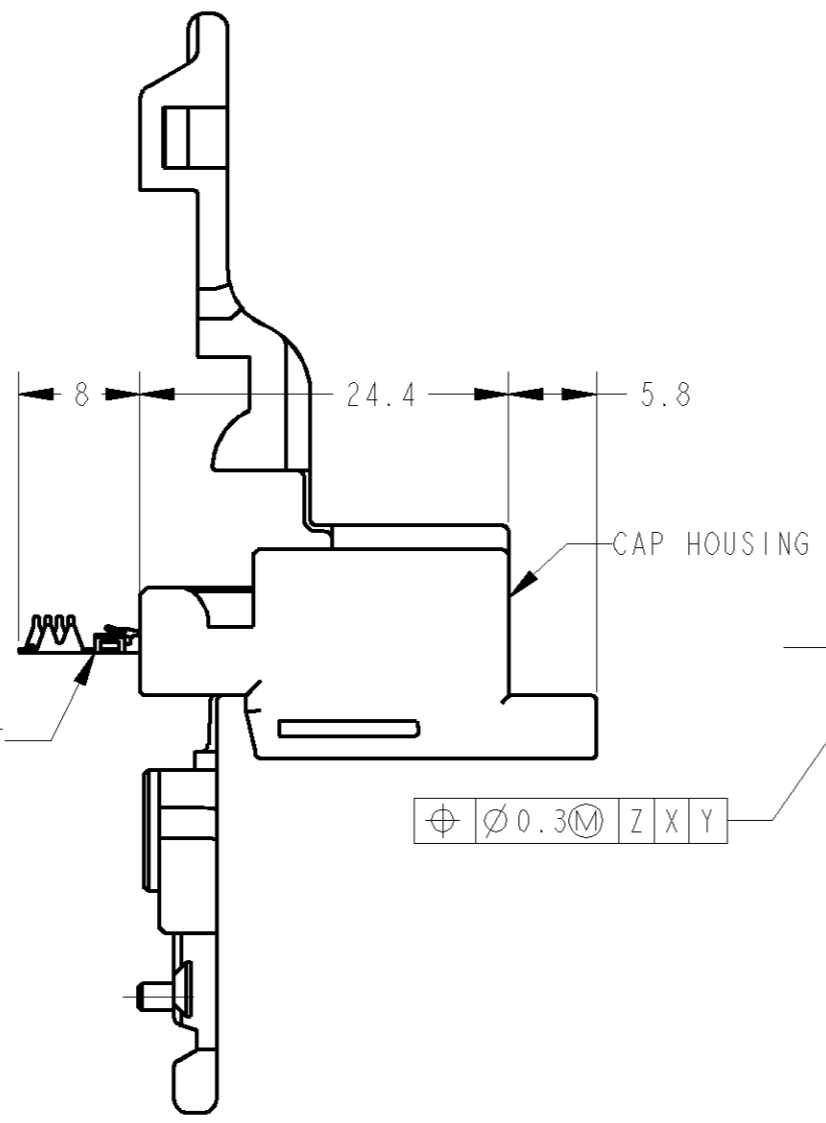
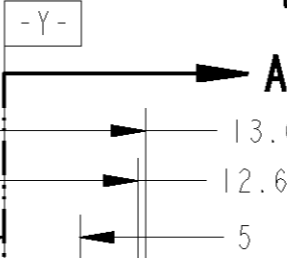
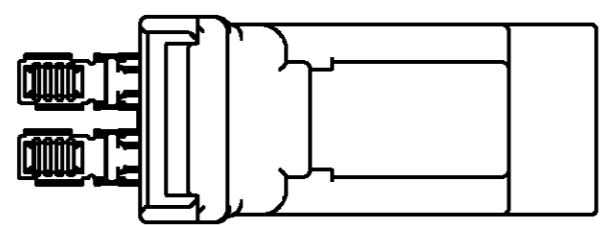


THIS DRAWING IS UNPUBLISHED. RELEASED FOR PUBLICATION ,1997.xx.xx
 BY AMP INCORPORATED. ALL RIGHTS RESERVED.

LOC	DIST	REVISIONS						
J		P	LTR	DESCRIPTION	ECN	DATE	DWN	APVD
			C	REVISED	ECR-10-006078	28MAY10	TS	KB



断面 A-A

- 1. 端子保持力: 40N以上.
- 2. 取扱説明書: 411-5869

- 1. LANCE RETENSION FORCE: 40N MIN
- 2. INSTRUCTION SHEET: 411-5869

<small>THIS DRAWING IS A CONTROLLED DOCUMENT FOR AMP INCORPORATED. IT IS SUBJECT TO CHANGE AND THE CONTROLLING ENGINEERING ORGANIZATION SHOULD BE CONTACTED FOR THE LATEST REVISION.</small>		DWN R. KOMIYAMA 19OCT98 CHK N. SAI 20OCT98 APVD K. SHIMIZU 20OCT98
DIMENSIONS: 单位: 毫 mm	TOLERANCES UNLESS OTHERWISE SPECIFIED: 一般公差 10 ≥ : ±0.2 30 ≥ >10 : ±0.25 100 ≥ >30 : ±0.3 ANGLE : ±3°	PRODUCT SPEC 製品規格 T08-5617 APPLICATION SPEC 取付適用規格 T14-5257
MATERIAL 材料 PBT, Cu-ALLOY	FINISH 仕上 SEE TABLE	WEIGHT 6.1g
CUSTOMER DRAWING		SCALE 2:1

NATURAL (自然色)	1123899-1
COLOR (色)	PART NUMBER (型番)
Tyco Electronics Corporation Kawasaki, Japan	
NAME 名称 FPC CONN. 2P UNSEALED CAP ASSY	
SIZE A3	CAGE CODE 00779
DRAWING NO 番号 C-C-1123899	RESTRICTED TO
SHEET 1 OF 1	
REV C	