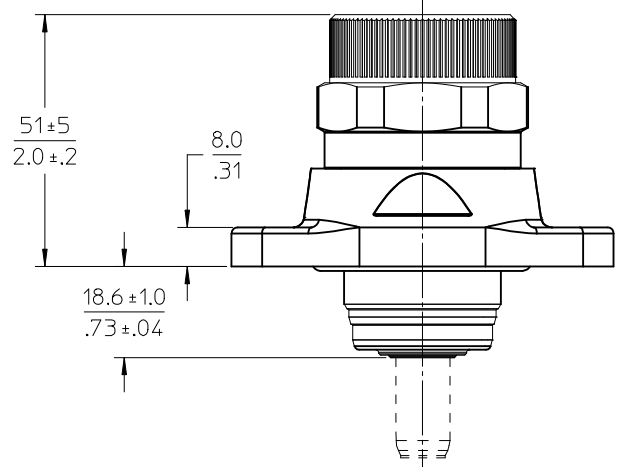
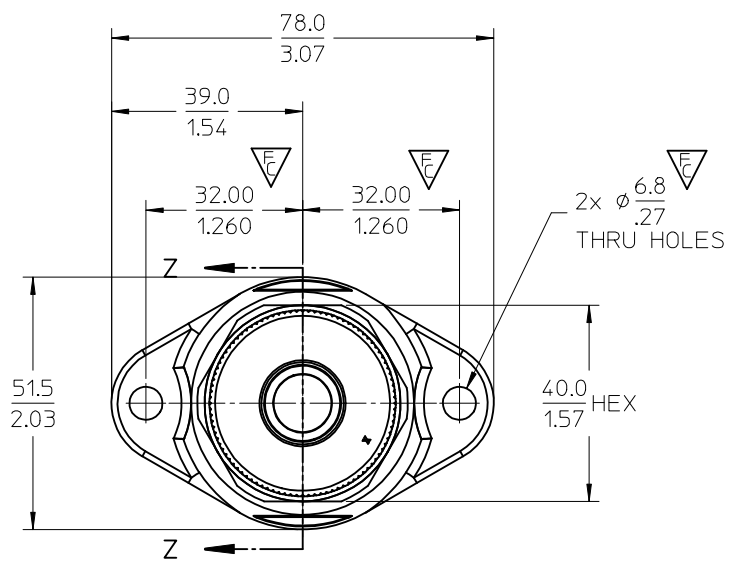
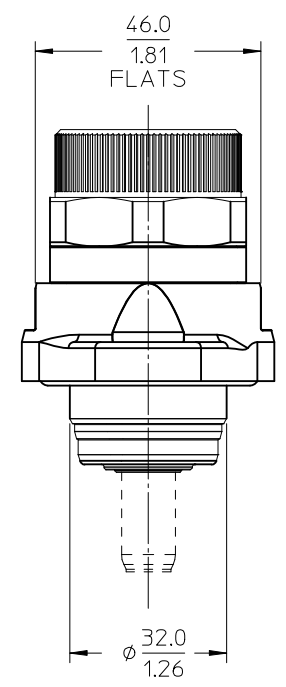


10	9	8	7	6	5	4	3	2	1
SINGLE ASSEMBLY PART NO.	KIT ASSEMBLY PART NO.	WIRE AWG	GROMMET	COLOR	O-RING	COLOR	CABLE SEALING RANGE		
1301990085	1301990185	1 & 35mm ²	HNBR	BLACK	HNBR	BLACK	11.10/.437 - 14.27/.562		
1301990090	1301990190	1/0	HNBR	BLACK	HNBR	BLACK	14.27/.562 - 15.88/.625		
1301990095	1301990195	2/0	HNBR	BLACK	HNBR	BLACK	15.88/.625 - 17.45/.687		
1301990285	1301990385	1 & 35mm ²	SILICONE	RUST RED	SILICONE	RUST RED	11.10/.437 - 14.27/.562		
1301990290	1301990390	1/0	SILICONE	RUST RED	SILICONE	RUST RED	14.27/.562 - 15.88/.625		
1301990295	1301990395	2/0	SILICONE	RUST RED	SILICONE	RUST RED	15.88/.625 - 17.45/.687		



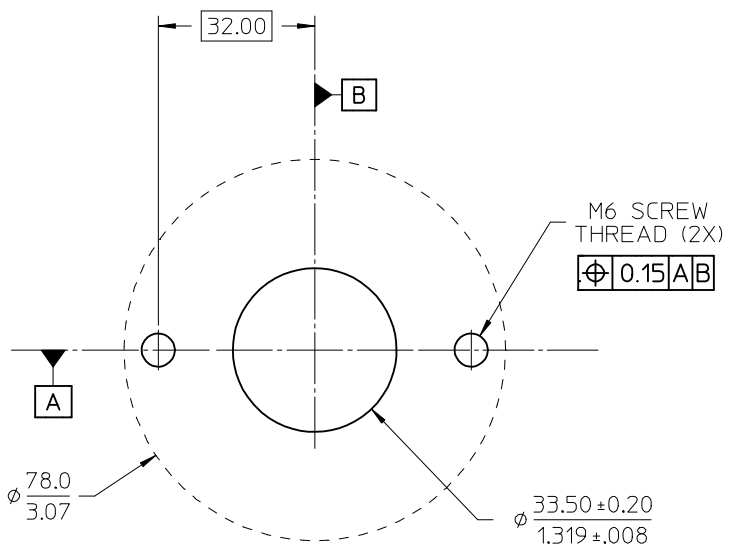
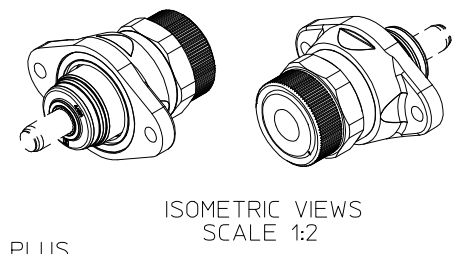
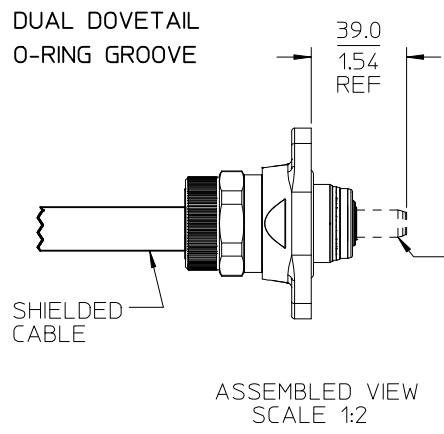
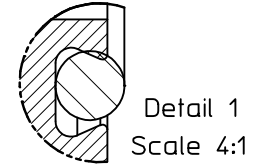
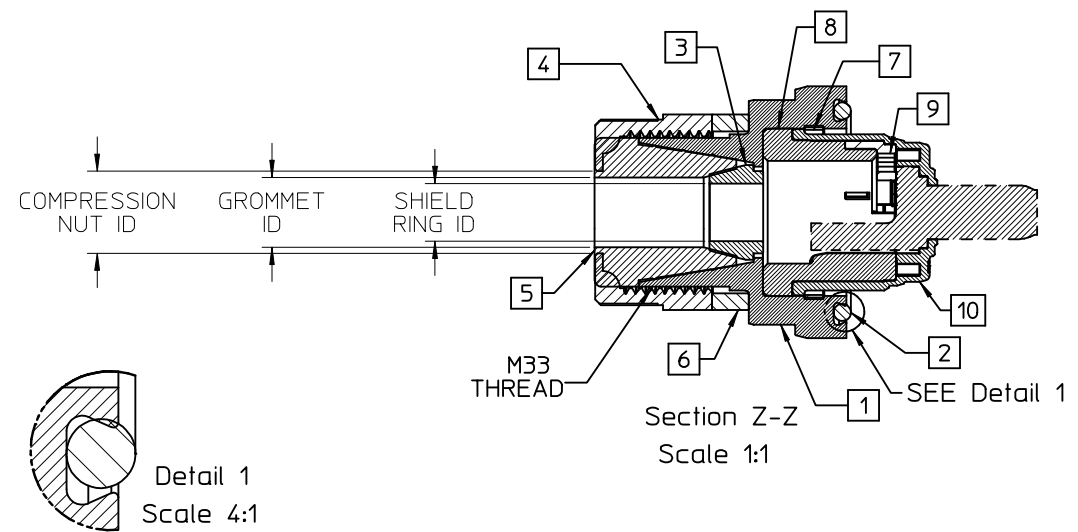
TERMINAL SOLD SEPARATELY



- NOTES:
 1. MATERIALS:
 GRIP BODY: ALUMINUM ALLOY
 FINISH: ELECTROLESS NICKEL PLATING
 COMPRESSION NUT: ALUMINUM ALLOY
 FINISH: ELECTROLESS NICKEL PLATING
 SHIELD RING: ALUMINUM ALLOY
 FINISH: ELECTROLESS NICKEL PLATING
 STOP RING: ALUMINUM ALLOY
 FINISH: ELECTROLESS NICKEL PLATING
 GROMMET: SEE CHART
 HNBR HARDNESS: SHORE 70A DUROMETER
 SILICONE HARDNESS: SHORE 70A DUROMETER
 O-RING: SEE CHART
 HNBR HARDNESS: SHORE 90A DUROMETER
 SILICONE HARDNESS: SHORE 70A DUROMETER
 INSULATING RETAINER SUB-ASSEMBLY: PBT
 COLOR: BLACK, FLAMMABILITY: UL94 V-0
 RETAINING RING: CARBON STEEL
 2. PRODUCT SPECIFICATION: PS-130199-002
 3. PACKAGING SPECIFICATION: PK-130199-001 & PK-130199-003
 4. APPLICATION SPECIFICATION: RAS-130199-001
 5. ALL MATERIALS ARE ROHS COMPLIANT.

UPDATE WITH CRITICALS EC NO: IPG2016-0676 DRW: WLEUNG 2015/12/11 CHKD: GSUDHINI 2015/12/11 APPR: BWOODMAN 2016/01/13	DESCRIPTION QUALITY SYMBOLS ▽=0 ▽=3 ▽=0	GENERAL TOLERANCES (UNLESS SPECIFIED) mm INCH 4 PLACES ± --- ± --- 3 PLACES ± --- ± .015 2 PLACES ± 0.40 ± .03 1 PLACE ± 0.8 ± --- 0 PLACE ± --- ± ---		DIMENSION STYLE MM/IN DRAWN BY DATE WLEUNG 2014/08/25 CHECKED BY DATE BRUPERT 2014/08/29 APPROVED BY DATE BWOODMAN 2014/10/13		SCALE 1:1	DESIGN UNITS METRIC	THIRD ANGLE PROJECTION	
		TITLE PLUGGABLE MAX-LOC PLUS SHIELDED CORD GRIP ASSY 1AWG-2/0, M33 THD, WELD							
		MATERIAL NO. SEE CHART						DOCUMENT NO. SD-130199-006	SHEET NO. 1 OF 2
		DRAFT WHERE APPLICABLE MUST REMAIN WITHIN DIMENSIONS ANGULAR ± 3°						THIS DRAWING CONTAINS INFORMATION THAT IS PROPRIETARY TO MOLEX INCORPORATED AND SHOULD NOT BE USED WITHOUT WRITTEN PERMISSION	

ITEM NO.	DESCRIPTION
1	GRIP BODY, M33 THREAD
2	O-RING, AS-568-222
3	SHIELD RING (1 AWG & 35MM ²), 14.6MM/0.57" ID SHIELD RING (1/0 AWG), 15.6MM/0.62" ID SHIELD RING (2/0 AWG), 18.9MM/0.74" ID
4	COMPRESSION NUT (1AWG & 35MM ²), 16.8MM/.66" ID COMPRESSION NUT (1/0AWG), 18.40MM/.73" ID COMPRESSION NUT (2/0AWG), 20.0MM/.79" ID
5	GROMMET (1 AWG & 35MM ²), 14.3MM/.56" ID GROMMET (1/0 AWG), 15.9/.63" ID GROMMET (2/0 AWG), 17.5MM/.69" ID
6	STOP RING, 33MM ID, 7.5MM THICK
7	RETAINING RING
8	INSULATING RETAINER, MAIN, FOR ϕ 18.5MM WELD TERMINAL
9	INSULATING RETAINER, CLIP, FOR ϕ 18.5MM WELD TERMINAL
10	INSULATING RETAINER, CAP, FOR ϕ 18.5MM WELD TERMINAL



SEAL SURFACE ZONE
WITHIN ϕ 78.0 AREA:
SURFACE FINISH REQUIRED ∇ 3.2/
FLATNESS REQUIRED \square 0.2

RECOMMENDED PANEL
MOUNT OPENING

UPDATE ADD. O-RING GROOVE EC NO: IPG2016-0676 2015/12/11 DRWA:WLEUNG CHKD:GSUDHINI 2015/12/11 APPR:BWODMAN 2016/01/13 DESCRIPTION	QUALITY SYMBOLS	GENERAL TOLERANCES (UNLESS SPECIFIED)	DIMENSION STYLE	SCALE	DESIGN UNITS	THIRD ANGLE PROJECTION
	∇ F/0	mm INCH	MM/IN	1:2	METRIC	\odot \square
	∇ E/0	4 PLACES ± --- ± ---	DRAWN BY DATE	WLEUNG 2014/08/25	TITLE	PLUGGABLE MAX-LOC PLUS SHIELDED CORD GRIP ASSY 1AWG-2/0, M33 THD, WELD molex
	∇ F/0	3 PLACES ± --- ± .015	CHECKED BY DATE	BRUPERT 2014/08/29	DOCUMENT NO.	
	2 PLACES ± 0.40 ± .03	APPROVED BY DATE	BWOODMAN 2014/10/13	MATERIAL NO.	SHEET NO.	2 OF 2
	1 PLACE ± 0.8 ± ---	DRAFT WHERE APPLICABLE MUST REMAIN WITHIN DIMENSIONS		SEE CHART	THIS DRAWING CONTAINS INFORMATION THAT IS PROPRIETARY TO MOLEX INCORPORATED AND SHOULD NOT BE USED WITHOUT WRITTEN PERMISSION	
	0 PLACE ± --- ± ---			SIZE B		