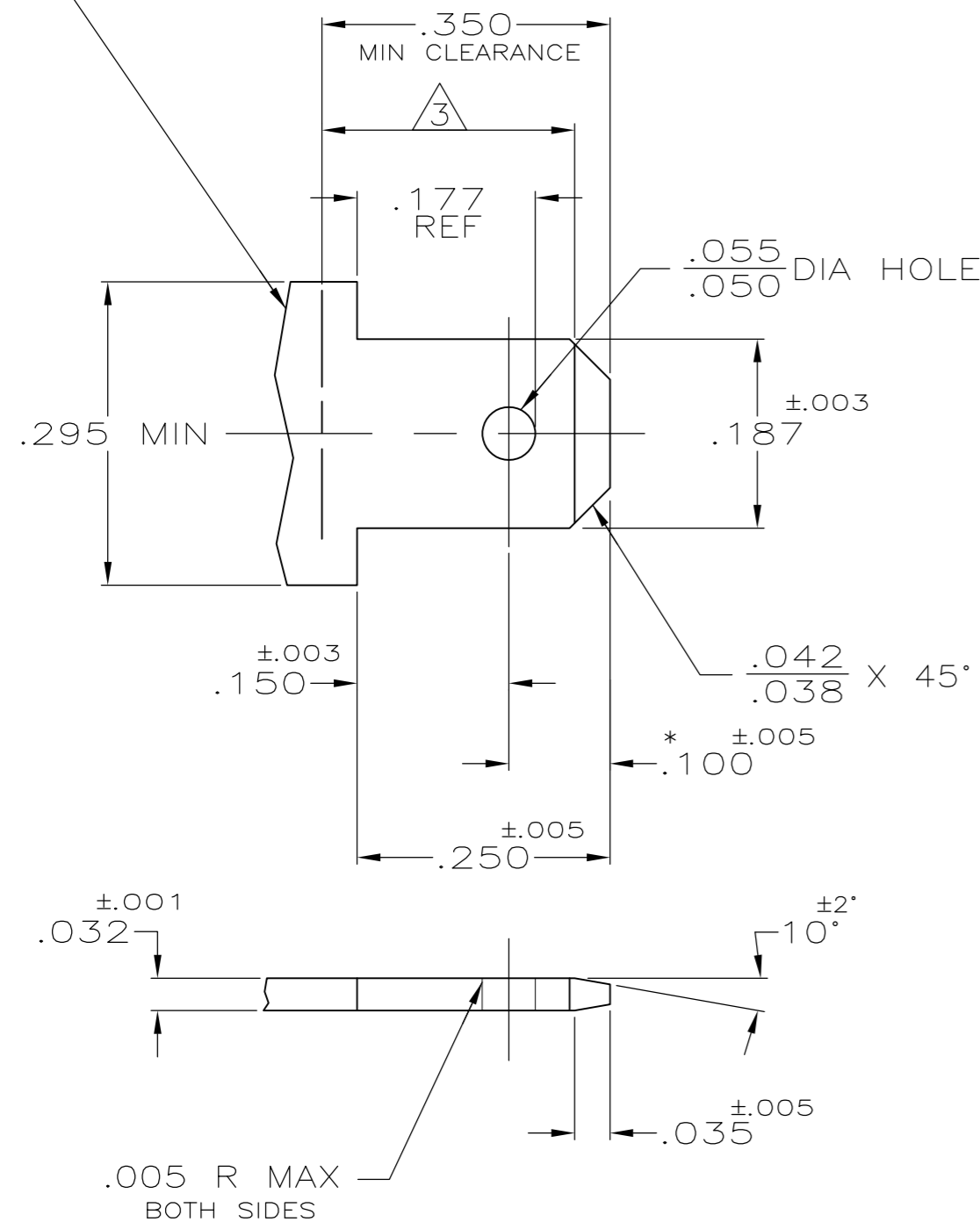


THIS DRAWING IS UNPUBLISHED. RELEASED FOR PUBLICATION  
 © COPYRIGHT - By - ALL RIGHTS RESERVED.

LOC		DIST		REVISIONS			
P	LTR	DESCRIPTION		DATE	DWN	APVD	
AF	50	F	REVISED PER ECR-12-002864	24MAY12	KH	PD	

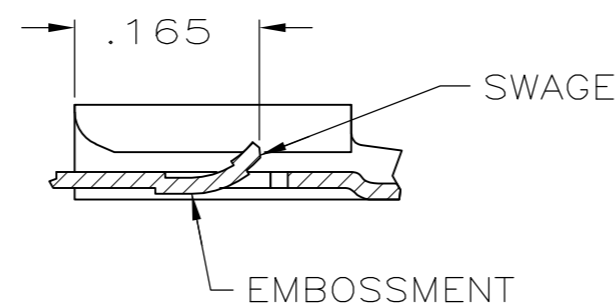
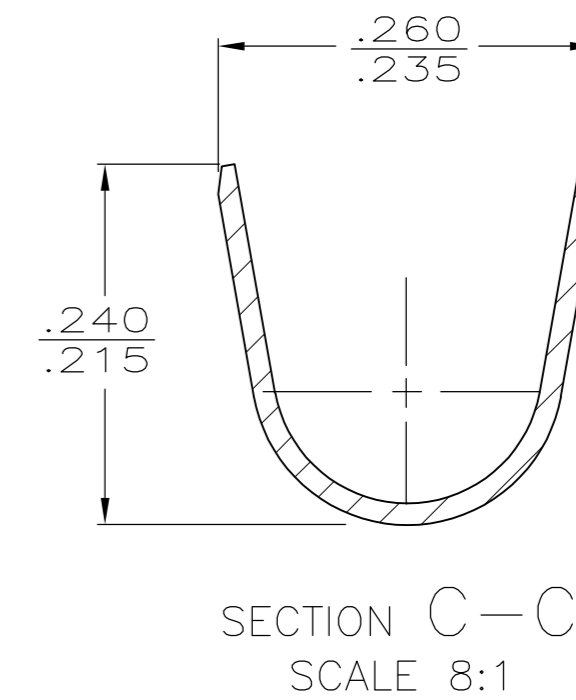
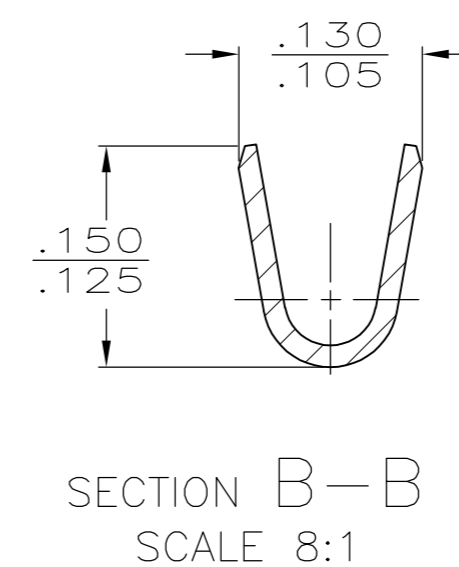
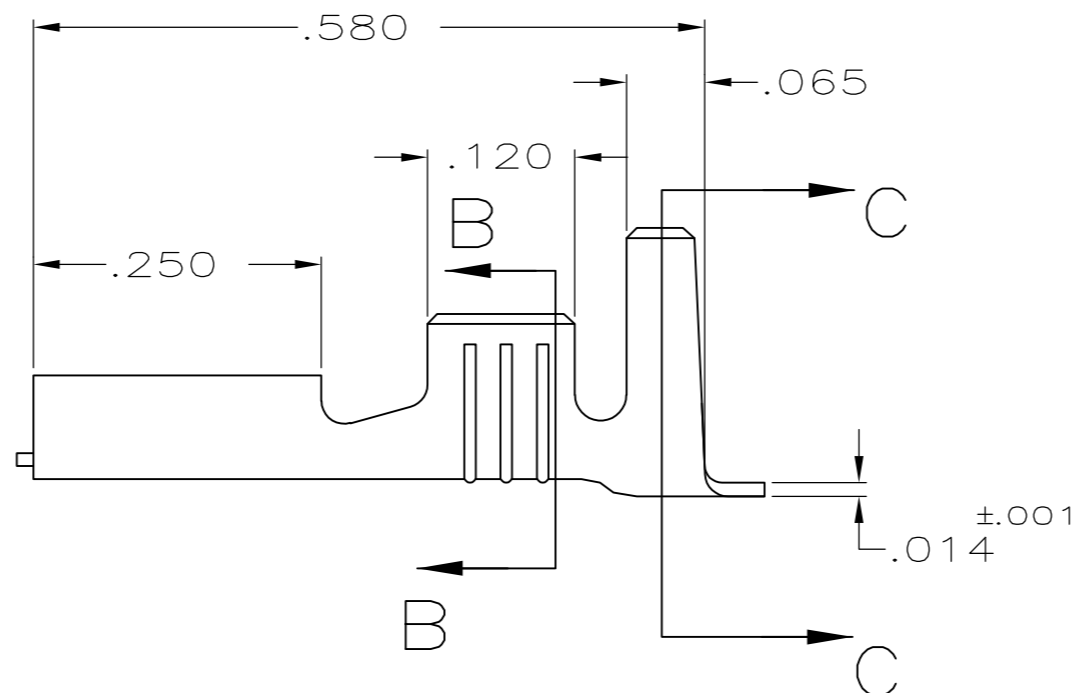
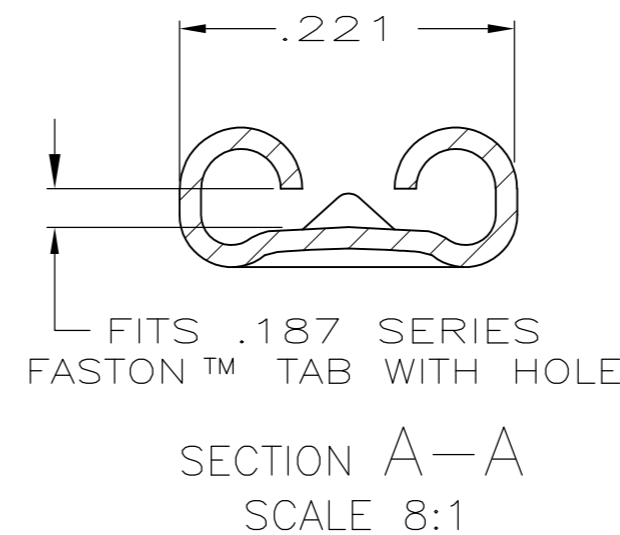
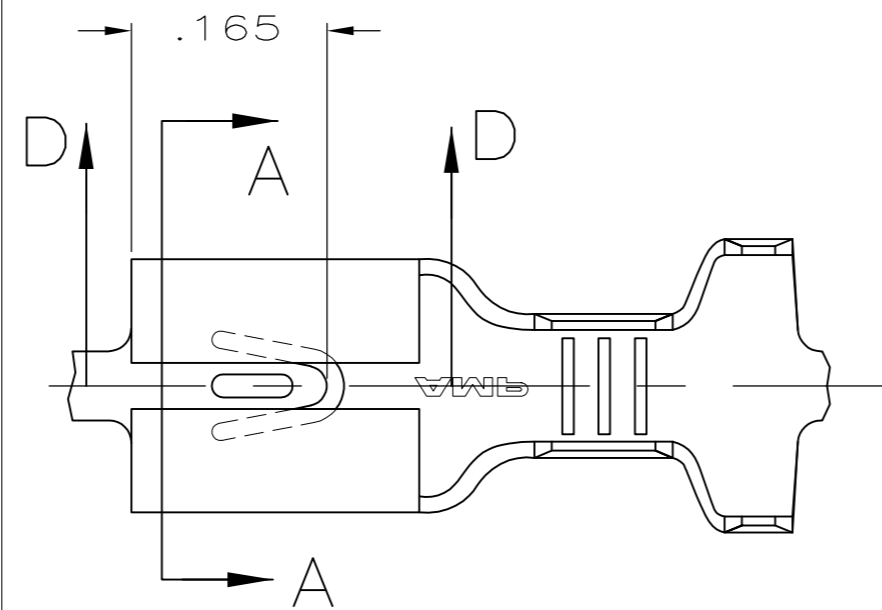
# SUGGESTED MATING TAB

SHOULDER MAY BE ELIMINATED IF NOT FEASIBLE.



- MATL: 1/2H BRASS OR NICKEL PL STEEL.
  - NO BURRS PERMISSIBLE AT HOLE.
  - MUST BE FLAT WITHIN .003 OVER THIS LENGTH.
  - HOLE MUST BE SYMMETRICAL ABOUT TAB  $\phi$  WITHIN 0.076 [.003]
- \* TO BE USED ONLY WHEN SHOULDER IS ELIMINATED.

1 CONTINUOUS STRIP ON REELS



SECTION D-D

TYPE	WIDTH	STRIP LENGTH $\pm .015$	TYPE	WIDTH	$\pm .002$ HEIGHT	WIRE
F	.180	.188	F	.090	.077	14
					.066	16
					.059	18
INSUL BARREL CRIMP			WIRE BARREL CRIMP			

THIS DRAWING IS A CONTROLLED DOCUMENT.	
DIMENSIONS: INCHES	TOLERANCES UNLESS OTHERWISE SPECIFIED:
	0 PLC $\pm -$
	1 PLC $\pm -$
	2 PLC $\pm -$
	3 PLC $\pm .010$
	4 PLC $\pm -$
	ANGLES $\pm -$
MATERIAL: TEMP 3 PHOS BRONZE	FINISH: TIN

.161-.196	18-14	63524-1
INSUL RANGE	WIRE SIZE	PART NUMBER
DWN: JR RUTH 1/3/90		
CHK: MS FEHER 1/3/90		
APVD: J GILLESPIE 1/3/90		
PRODUCT SPEC		
APPLICATION SPEC	RECEPTACLE, FASTON™ LOCK-ON, 4.75 [.187] SERIES	
WEIGHT: -	SIZE: A2	CAGE CODE: 00779
CUSTOMER DRAWING	DRAWING NO: C=63524	RESTRICTED TO: -
SCALE: 6:1	SHEET: 1 of 1	REV: F