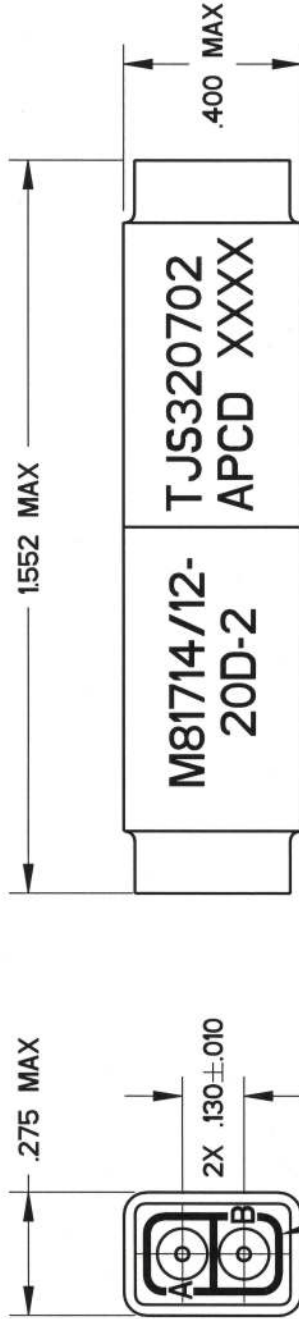
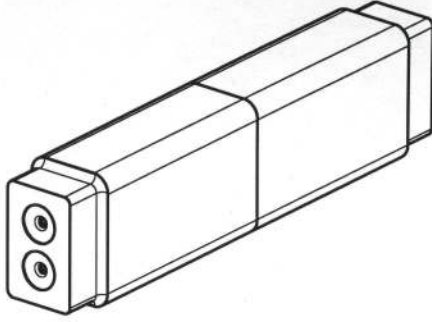


REV	ECN	APP'D
-	5882	27 7/18/06



- NOTES:
- PART MEETS ALL REQUIREMENTS OF MIL-T-81714/12
  - MATERIALS:  
 GROMMET - SILICONE RUBBER, COLOR: BLUE  
 INSULATOR - THERMOPLASTIC  
 INTERNAL CONTACT - COPPER ALLOY  
 CONTACT RETAINER CLIPS - STAINLESS STEEL ALLOY
  - MODULE ACCEPTS M39029/1-101 PIN CONTACTS, SEE TABLE.

PART NO.	DESCRIPTION	P/N MARKING
TJS320602	CONTACTS NOT SUPPLIED	TJS320702
TJS320702	FIVE (5) CNP006000 INCLUDED	

TITLE	
TERMINAL JUNCTION SPLICE DOUBLE UNBUSSED, SIZE 20	

## Amphenol Pcd

SPECIFICATION DRAWING

DRWN

R. SWAINE 07/06/06

ENGR

*R. Swaine* 7/13/06  
 APP'D  
*Swaine* 7/18/06

DIMENSIONS	PROJECTION
ANSI Y14.5M	
UNITS: INCHES	
Pro/E FILE	

THIS DOCUMENT CONTAINS PROPRIETARY INFORMATION WHICH IS THE CONFIDENTIAL PROPERTY OF AMPHENOL PCD INC., PEABODY, MA



SIZE	DWG NO.	REV
A	TJS320602_C	-
CODE: 58982	SCALE: 8:3	SHEET 1 OF 1