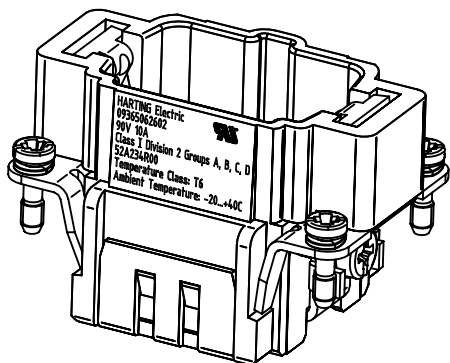
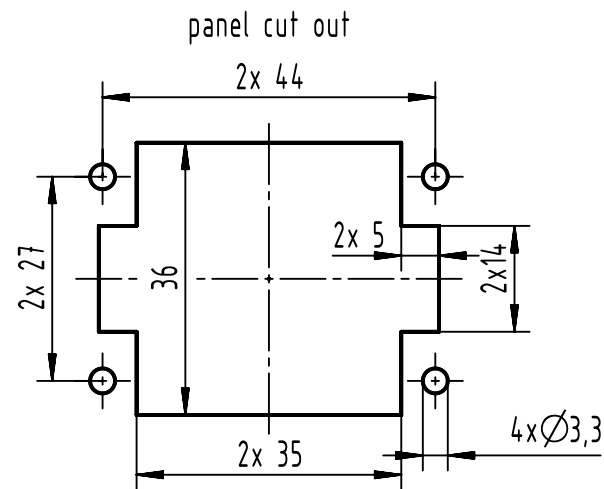


FOR USE WITH HAN 6E CRIMP: AWG 14, 16
 FOR USE WITH Cable Type:
 PLTC, PLTC-ER, ITC, ITC-ER, MC, MV, AND TC
 FOR USE IN CLASS I, DIVISION 2 GROUPS A, B, C AND D
 HAZARDOUS LOCATIONS OR UNCLASSIFIED LOCATIONS

THE INSTALLATION MUST BE IN ACCORDANCE WITH THE ASSOCIATED LOCATION RESTRICTIONS OF THE NATIONAL ELECTRIC CODE OR CANADIAN ELECTRICAL CODE AS APPLICABLE, INCLUDING ISSUES SUCH AS THE ROUTING, SUPPORT AND LENGTH OF THE INVOLVED CORD OR CABLE.

WARNING
 EXPLOSION HAZARD
 DO NOT CONNECT
 OR DISCONNECT
 UNDER LOAD!



	All Dimensions in mm Original Size DIN A4		Scale 1:1	Free size tol.	Ref. Sub. TB 09 33 006 2602 v. 20.08.01	
		All rights reserved	Created by HELLMANN	Inspected by SCHNIEDER	Standardisation	Date 2021-11-16
Department EL PD		Title Han 6Ex UL-M-c			Doc-Key / ECM-Nr. 100669921/UGD/006/C 500000205284	
HARTING D-32339 Espelkamp		Type TB	Number 09 36 506 2602		Rev. C	Page 1/1