

PART No. MATRIX

E 6 6 E 0 6 0 2 1 M X X X X

E=ETHERNET/
Ethernet

HEADS:
6 = RJ45

HEADS STYLE:
060 = MALE STR / MALE STR

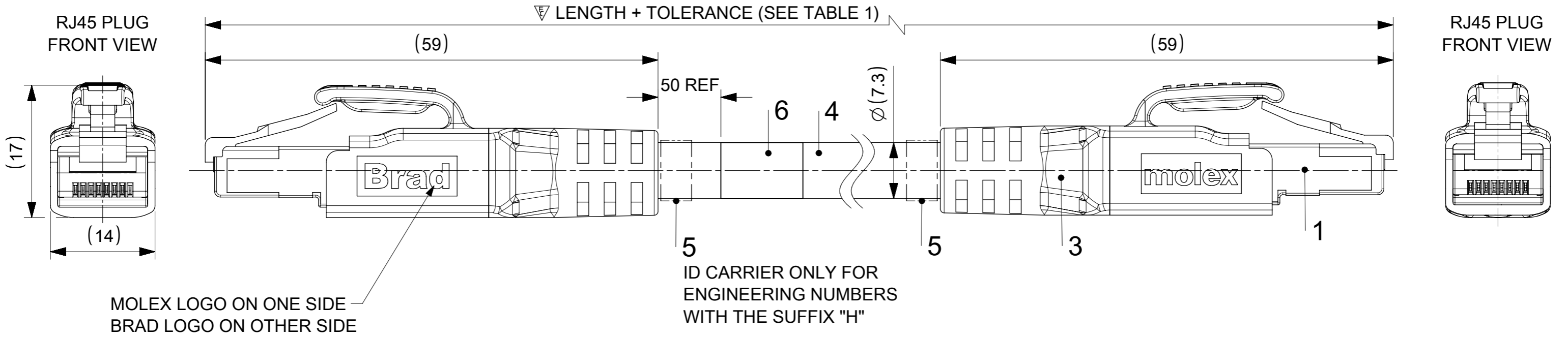
CABLE TYPE:
CABLE 21

UNITS:
M= METER
T= 10xMETER

LENGTH EXAMPLES:
005=0.5 m
010=1 m
150=15 m
T100=100 m

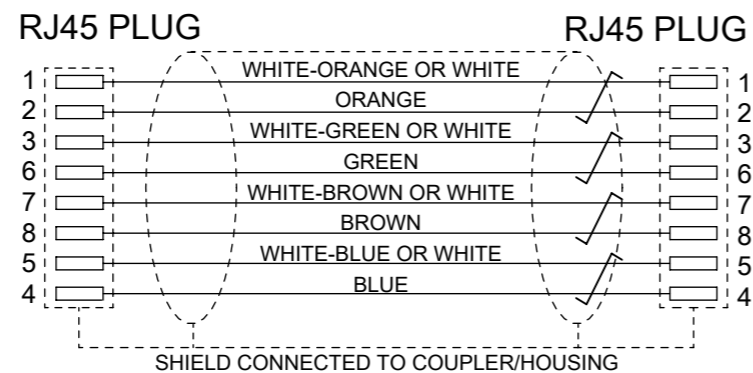
H= 2 PCS. OF I/D Carrier

WIRING TYPE:
E=8 Pole (STRAIGHT WIRED)

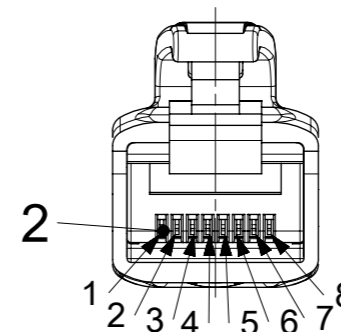


MOLEX LOGO ON ONE SIDE
BRAD LOGO ON OTHER SIDE

WIRING DIAGRAM



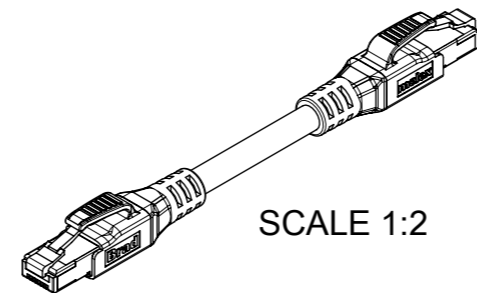
RJ45 PLUG FRONT VIEW



BILL OF MATERIAL

ITEM	QTY	DESCRIPTION	MATERIAL	FINISH/COLOR
1	2	PLUG RJ45 PLUG	-	-
2	16	CONTACT RJ45	PHOSPHOR BRONZE	SELECTIVE Au PLATING
3	-	OVERMOLD	TPU	BLACK
4	1	CABLE 4X(2X AWG26/7) CAT 7	TPE	GREEN
5	SEE PN MATRIX	ID CARRIER	PVC	TRANSPARENT
6	1	LABEL 2.0X1.75	VINYL	YELLOW

DOCUMENT STATUS | P1 | RELEASE DATE | 2022/01/25 | 10:26:17



FUNCTIONAL SYMBOLS		THIS DRAWING CONTAINS INFORMATION THAT IS PROPRIETARY TO MOLEX ELECTRONIC TECHNOLOGIES, LLC AND SHOULD NOT BE USED WITHOUT WRITTEN PERMISSION		CURRENT REV DESC: NOTE CHANGED		
▽A = 0	mm	SCALE	2:1			
▽E = 1	GENERAL TOLERANCES (UNLESS SPECIFIED)		RJ45 CAT6A ST/ST TPE XM			
▽F = 0	ANGULAR TOL ± 1.0°		PRODUCT CUSTOMER DRAWING			
DIVISIONAL SYMBOLS		4 PLACES ±	EC NO: 692351	2022/01/20	DOCUMENT NUMBER DOC TYPE DOC PART REVISION 1203410911 PSD 000 A3	
		3 PLACES ±	DRWN: ARPITT	2022/01/25		
		2 PLACES ± 0.05	CHK'D: RSILLER	2021/03/16	MATERIAL NUMBER CUSTOMER SHEET NUMBER SEE TABLE 1 GENERAL MARKET 1 OF 2	
		1 PLACE ± 0.3	APPR: RSILLER			
		0 PLACES ± 0.5	INITIAL REVISION:			
		DRAFT WHERE APPLICABLE MUST REMAIN WITHIN DIMENSIONS	DRWN: MDHARMANTI	2019/11/25		
		THIRD ANGLE PROJECTION	APPR: RSILLER			
		DRAWING	SERIES	MATERIAL NUMBER	CUSTOMER	
		A3-SIZE	120341	SEE TABLE 1	GENERAL MARKET	

TABLE 1

MOLEX P/N	ENGINEERING NO.	DESCRIPTION	LENGTH (mm)
1203410924	E66E06021M002	RJ45 CAT6A ST/ST TPE GREEN 0.2M	200
1203410925	E66E06021M005	RJ45 CAT6A ST/ST TPE GREEN 0.5M	500
1203410911	E66E06021M010	RJ45 CAT6A ST/ST TPE GREEN 1M	1000
1203410926	E66E06021M020	RJ45 CAT6A ST/ST TPE GREEN 2M	2000
1203410927	E66E06021M030	RJ45 CAT6A ST/ST TPE GREEN 3M	3000
1203410928	E66E06021M040	RJ45 CAT6A ST/ST TPE GREEN 4M	4000
1203410929	E66E06021M050	RJ45 CAT6A ST/ST TPE GREEN 5M	5000
1203410930	E66E06021M100	RJ45 CAT6A ST/ST TPE GREEN 10M	10000
1203410931	E66E06021M150	RJ45 CAT6A ST/ST TPE GREEN 15M	15000
1203410932	E66E06021M200	RJ45 CAT6A ST/ST TPE GREEN 20M	20000
1203410933	E66E06021M300	RJ45 CAT6A ST/ST TPE GREEN 30M	30000
1203410912	E66E06021M360	RJ45 CAT6A ST/ST TPE GREEN 36M	36000
WITH ID CARRIER			
1203410995	E66E06021M010H	RJ45 CAT6A ST/ST TPE GREEN 1M ID	1000
1203410996	E66E06021M020H	RJ45 CAT6A ST/ST TPE GREEN 2M ID	2000
1203411006	E66E06021M030H	RJ45 CAT6A ST/ST TPE GREEN 3M ID	3000
1203411014	E66E06021M050H	RJ45 CAT6A ST/ST TPE GREEN 5M ID	5000
1203410997	E66E06021M100H	RJ45 CAT6A ST/ST TPE GREEN 10M ID	10000
1203410998	E66E06021M250H	RJ45 CAT6A ST/ST TPE GREEN 25M ID	25000
1203411051	E66E06021M040H	RJ45 CAT6A ST/ST TPE GREEN 4M ID	4000
1203411052	E66E06021M060H	RJ45 CAT6A ST/ST TPE GREEN 6M ID	6000
1203411053	E66E06021M070H	RJ45 CAT6A ST/ST TPE GREEN 7M ID	7000
1203411054	E66E06021M080H	RJ45 CAT6A ST/ST TPE GREEN 8M ID	8000
1203411055	E66E06021M120H	RJ45 CAT6A ST/ST TPE GREEN 12M ID	12000
1203411056	E66E06021M150H	RJ45 CAT6A ST/ST TPE GREEN 15M ID	15000
1203411057	E66E06021M200H	RJ45 CAT6A ST/ST TPE GREEN 20M ID	20000
1203411058	E66E06021M300H	RJ45 CAT6A ST/ST TPE GREEN 30M ID	30000
1203411059	E66E06021M350H	RJ45 CAT6A ST/ST TPE GREEN 35M ID	35000
1203411060	E66E06021M400H	RJ45 CAT6A ST/ST TPE GREEN 40M ID	40000
1203411061	E66E06021M450H	RJ45 CAT6A ST/ST TPE GREEN 45M ID	45000
1203411062	E66E06021M500H	RJ45 CAT6A ST/ST TPE GREEN 50M ID	50000
1203411063	E66E06021M550H	RJ45 CAT6A ST/ST TPE GREEN 55M ID	55000
1203411064	E66E06021M600H	RJ45 CAT6A ST/ST TPE GREEN 60M ID	60000
1203411065	E66E06021M650H	RJ45 CAT6A ST/ST TPE GREEN 65M ID	65000
1203411066	E66E06021M700H	RJ45 CAT6A ST/ST TPE GREEN 70M ID	70000
1203411067	E66E06021M750H	RJ45 CAT6A ST/ST TPE GREEN 75M ID	75000
1203411068	E66E06021M800H	RJ45 CAT6A ST/ST TPE GREEN 80M ID	80000
1203411069	E66E06021M850H	RJ45 CAT6A ST/ST TPE GREEN 85M ID	85000

NOTES:

VOLTAGE RATING: 30 V A.C. OR 42 V D.C.

CURRENT RATING: 0.5 A

TEMPERATURE RATING:

STATIC: -40 °C TO 80 °C

DYNAMIC: -25 °C TO 80 °C

IP RATING: IP 20


TRANSMISSION CHARACTERISTICS ACCORDING TO ISO/IEC 11801 CLASS E_A CHANNEL,

WITH INSERTION LOSS BEING IGNORED FOR CABLE LENGTHS <1 m OR >65 m

PACKAGING: CORDSETS ARE PACKED IN A POLYBAG

CABLE LENGTH TOLERANCES

LENGTH	TOLERANCE
0 m - 1 m	+40 mm
>1 m - 5 m	+60 mm
>5 m - 10 m	+80 mm
>10 m - 20 m	+140 mm
>20 m - 30 m	+160 mm
>30 m	+1% length

FUNCTIONAL SYMBOLS √A = 0 √E = 0 √P = 0	THIS DRAWING CONTAINS INFORMATION THAT IS PROPRIETARY TO MOLEX ELECTRONIC TECHNOLOGIES, LLC AND SHOULD NOT BE USED WITHOUT WRITTEN PERMISSION		CURRENT REV DESC: NOTE CHANGED	
	DIMENSION UNITS mm	SCALE 1:1	 RJ45 CAT6A ST/ST TPE XM PRODUCT CUSTOMER DRAWING	
GENERAL TOLERANCES (UNLESS SPECIFIED)				
ANGULAR TOL ± 1.0 °				
4 PLACES ±				
DIVISIONAL SYMBOLS	3 PLACES ±	EC NO: 692351	2022/01/20	
	2 PLACES ± 0.05	DRWN: ARPITT	2022/01/25	
	1 PLACE ± 0.3	CHK'D: RSILLER	2022/01/25	
	0 PLACES ± 0.5	APPR: RSILLER	2022/01/25	
DRAFT WHERE APPLICABLE MUST REMAIN WITHIN DIMENSIONS		INITIAL REVISION:	DOCUMENT NUMBER	DOC TYPE
THIRD ANGLE PROJECTION		DRWN: MDHARMANTI	1203410911	PSD
DRAWING		APPR: RSILLER	000	A3
SERIES		2019/11/25	REVISION	
MATERIAL NUMBER		2021/03/16		
CUSTOMER		SHEET NUMBER		
A3-SIZE		2 OF 2		
120341				
SEE TABLE 1				
GENERAL MARKET				

DOCUMENT STATUS	P1	RELEASE DATE	2022/01/25	10:26:17
-----------------	----	--------------	------------	----------