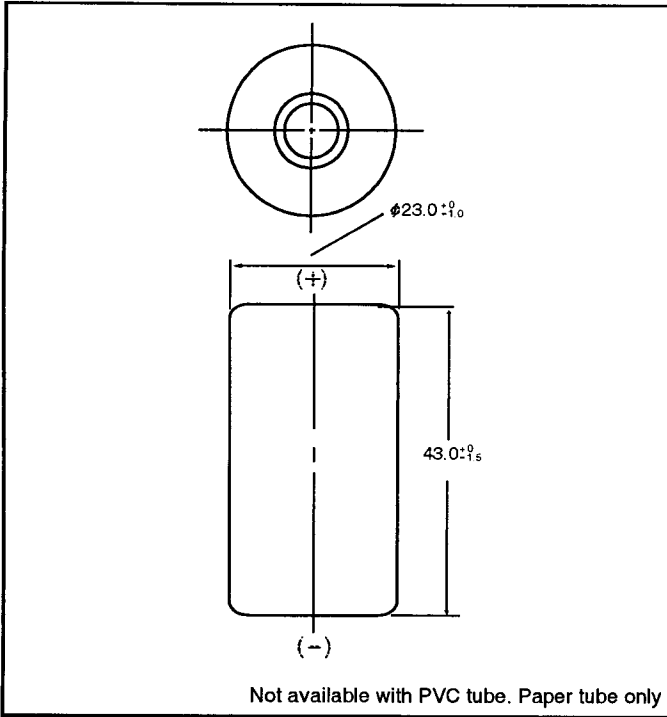


NICKEL CADMIUM BATTERIES: INDIVIDUAL DATA SHEET

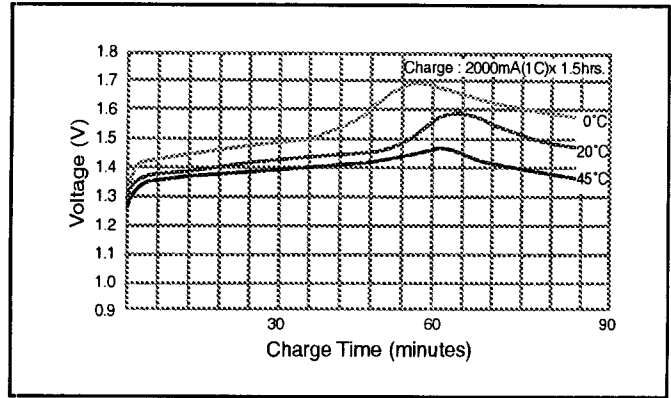
NEW

P-200SCP SC size (KR23/43) Type: P

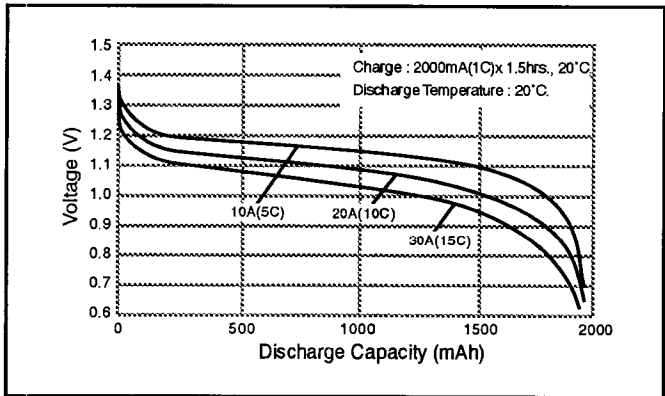
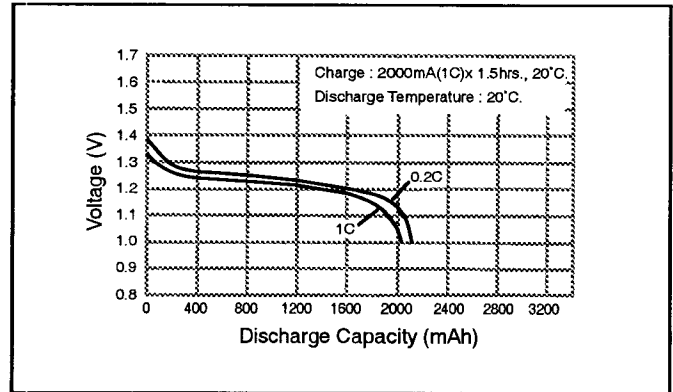
Dimensions (with tube) (mm)



Typical Charge Characteristics



Typical Discharge Characteristics



Specifications

	mm	inch
Diameter	23.0 +0 / -1.0	0.91 +0 / -0.04
Height	43.0 +0 / -1.5	1.69 +0 / -0.06
Approximate Weight	Grams	Ounces
	52g	1.83

Nominal Voltage		1.2V		
Discharge Capacity*	Average**	2100mAh		
	Rated (Min.)	2000mAh		
Approx. Internal impedance at 1000Hz at charged state.		5mΩ		
Charge	Standard	200mA (0.1C) x 16hrs.		
	Rapid***	2000mA (1C) x 1.5hrs.		
Ambient Temperature	Charge	Standard	°C	
			°F	
	Rapid	0°C to 45°C	32°F to 113°F	
		10°C to 40°C	50°F to 104°F	
Discharge		-20°C to 65°C	-4°F to 149°F	
	Storage	< 2 years	-20°C to 35°C	-4°F to 95°F
		< 6 months	-20°C to 45°C	-4°F to 113°F

* 0.2C discharge capacity after charging at 0.1C for 16 hours.

** For reference only.

*** Refer to "Charge Methods for Ni-Cd Batteries" (pg 10).

Battery performance and cycle life are strongly affected by how they are used. In order to maximize battery safety, please consult Panasonic when determining charge / discharge specs, warning label contents and unit design.