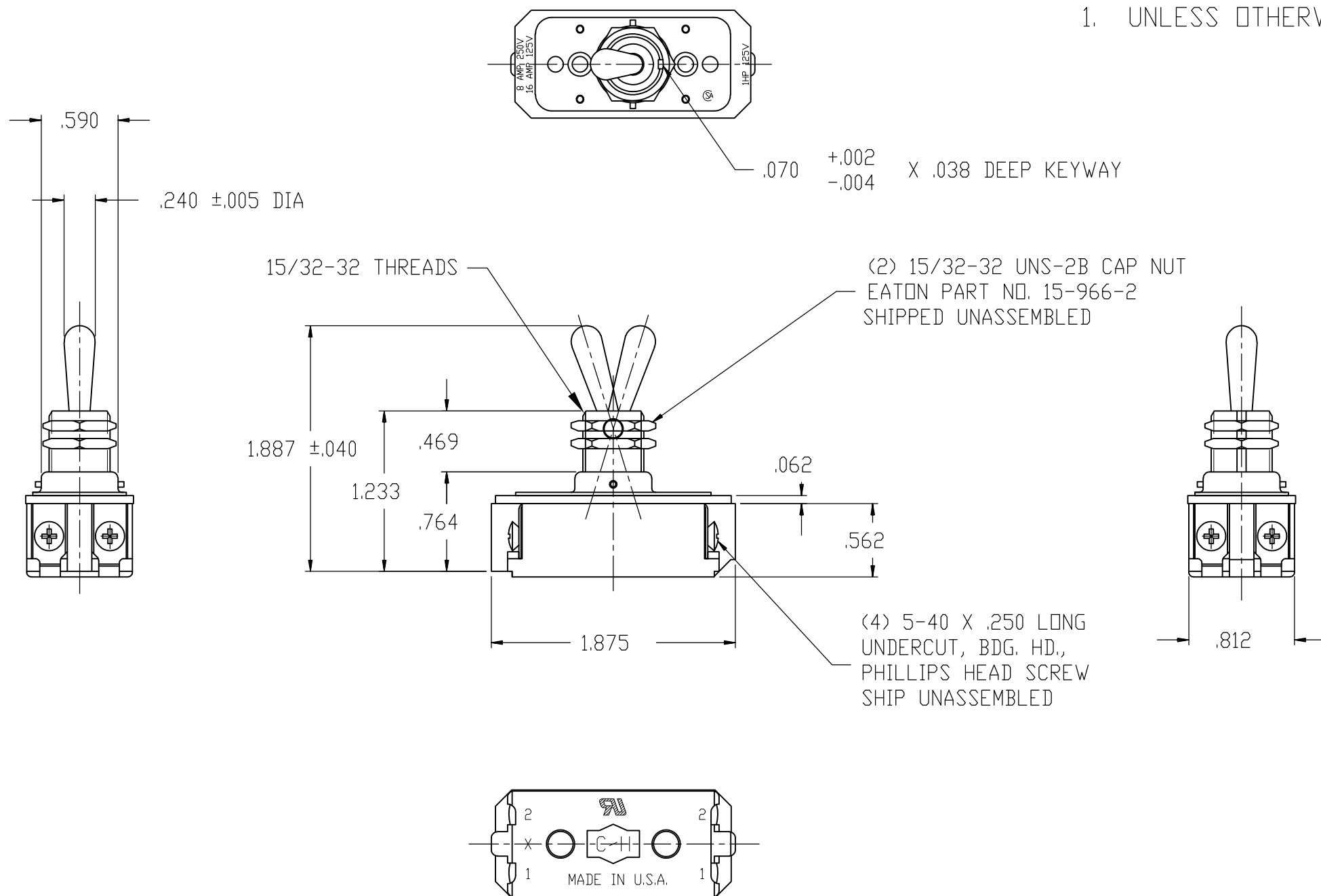


THIS DRAWING IS UNPUBLISHED. RELEASED FOR PUBLICATION
 © COPYRIGHT BY TYCO ELECTRONICS CORPORATION. ALL RIGHTS RESERVED.

LOC	DIST	REVISIONS			
P	LTR	DESCRIPTION	DATE	DWN	APVD
AD	00	A	ECO-07-005769	08MAY2007	RB MM

1. UNLESS OTHERWISE SPECIFIED ALL TOLERANCES TO BE ±.016



THIS DRAWING IS A CONTROLLED DOCUMENT.		DWN R BROWN	08MAY2007	Tyco Electronics Corporation Harrisburg, PA 17105-3608	
DIMENSIONS: INCHES		CHK M MILLER	08MAY2007		
TOLERANCES UNLESS OTHERWISE SPECIFIED:		APVD M MILLER	08MAY2007	NAME TOGGLE SWITCH ASSEMBLY	
0 PLC ± - 1 PLC ± - 2 PLC ± - 3 PLC ± - 4 PLC ± - ANGLES ± -		PRODUCT SPEC -		APPLICATION SPEC -	
MATERIAL -		FINISH -		SIZE A3	CAGE CODE 00779
		WEIGHT -		DRAWING NO C-1977052	RESTRICTED TO -
CUSTOMER DRAWING				SCALE 1:1	SHEET 1 OF 1
				REV A	