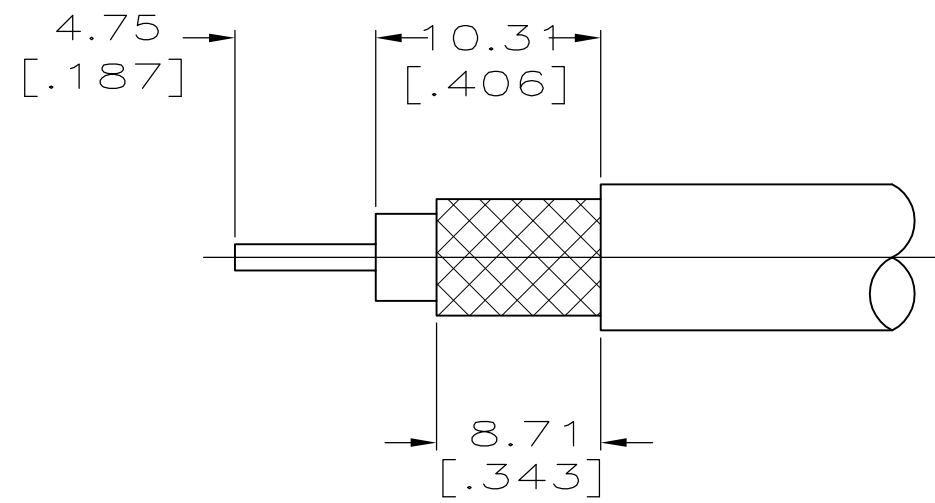


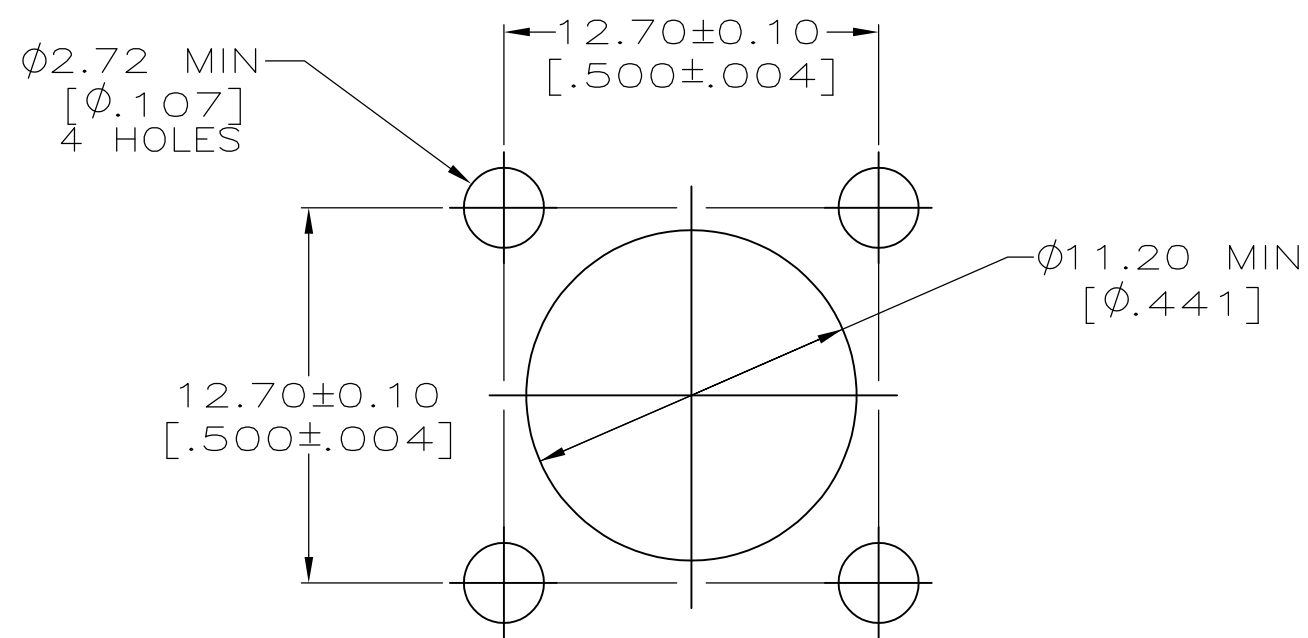
THIS DRAWING IS UNPUBLISHED. RELEASED FOR PUBLICATION  
 © COPYRIGHT - By - ALL RIGHTS RESERVED.

LOC		DIST		REVISIONS			
P	LTR	DESCRIPTION	DATE	DWN	APVD		
	G	REV PER ECO-11-006359	12APR11	PY	BM		
	H	REVISED PER ECO-12-008922	06SEP12	MGM	WM		

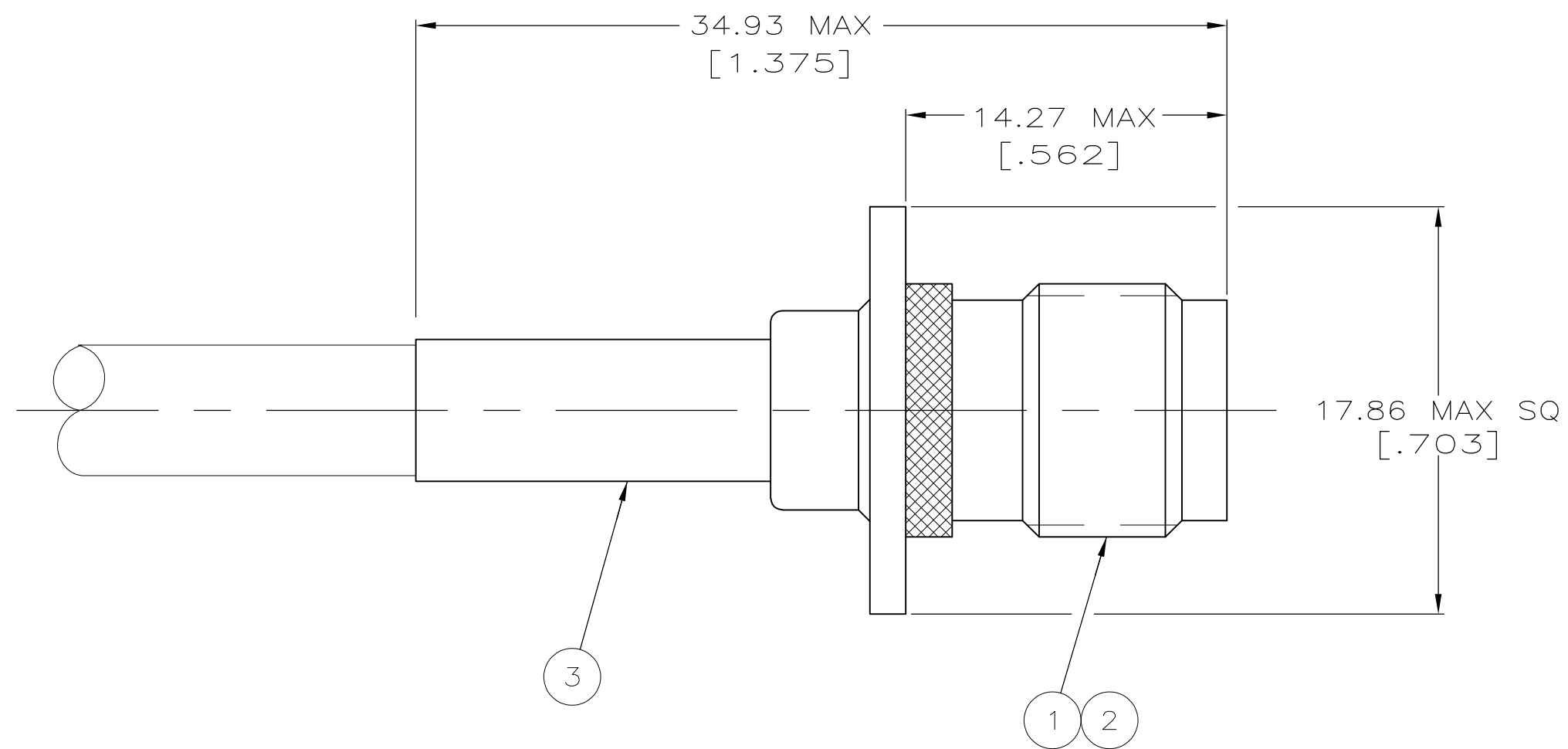


RECOMMENDED STRIP LENGTH

- 1 FOR USE WITH FILECA F1703/94 AND FILOTEX 50 MFCFB CABLE
- 2. SEE I.S. 408-2299-4



RECOMMENDED PANEL CUTOUT



-	1	220015-6	331256	225471-7	225613-3	1-225348-2
00779 M39012/29B0005 YY WW	RG-58A/U & RG-58C/U	220045-2	9-225381-1	225471-9	225474-1	225348-2
STAMPING	CABLE SIZE	CRIMP TOOL	3 FERRULE QTY=1	2 CONTACT QTY=1	1 JACK ASSEMBLY QTY=1	PART NUMBER

THIS DRAWING IS A CONTROLLED DOCUMENT.		DWN B. SCOTT 3-13-91	TE Connectivity			
DIMENSIONS: INCHES		CHK J. LIPPERT 3-21-91	NAME JACK, PANEL, SERIES TNC			
TOLERANCES UNLESS OTHERWISE SPECIFIED:		APVD -	PRODUCT SPEC 108-12001			
0 PLC ± -		APPLICATION SPEC -				
1 PLC ± -		SIZE A2				
2 PLC ± 0.41 [.016]		CAGE CODE 00779				
3 PLC ± -		DRAWING NO C=225348				
4 PLC ± -		RESTRICTED TO -				
ANGLES ± -		SCALE 4:1				
MATERIAL -		SHEET 1 of 1				
FINISH -		REV H				
CUSTOMER DRAWING						