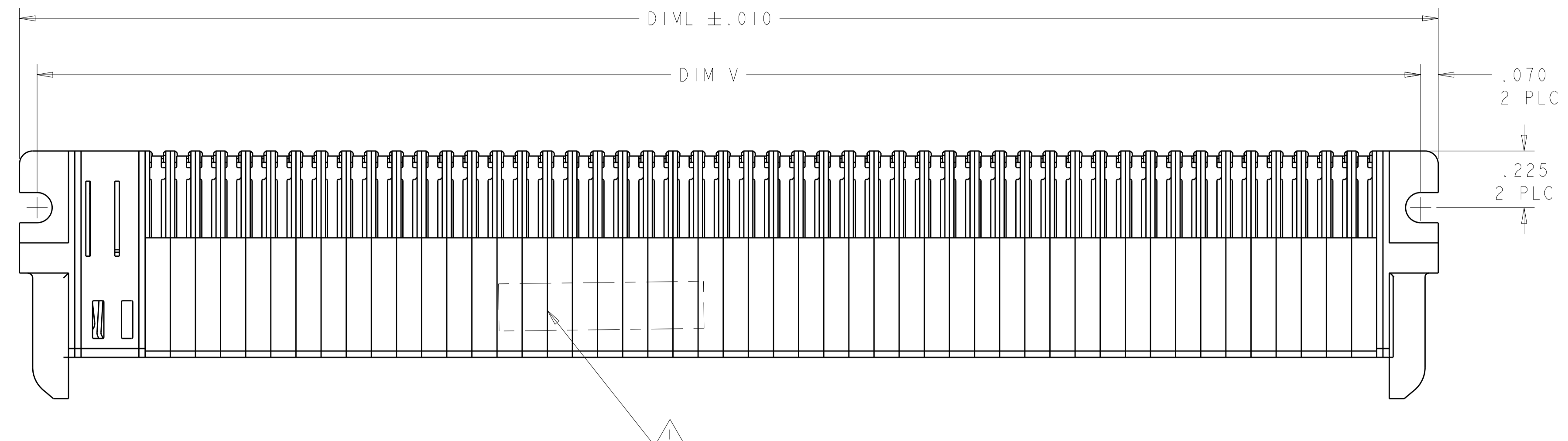
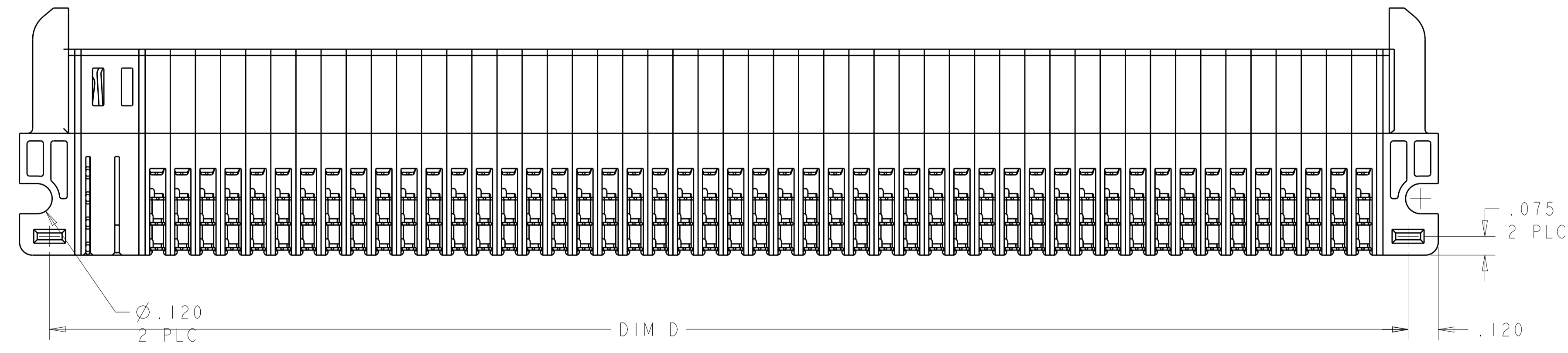
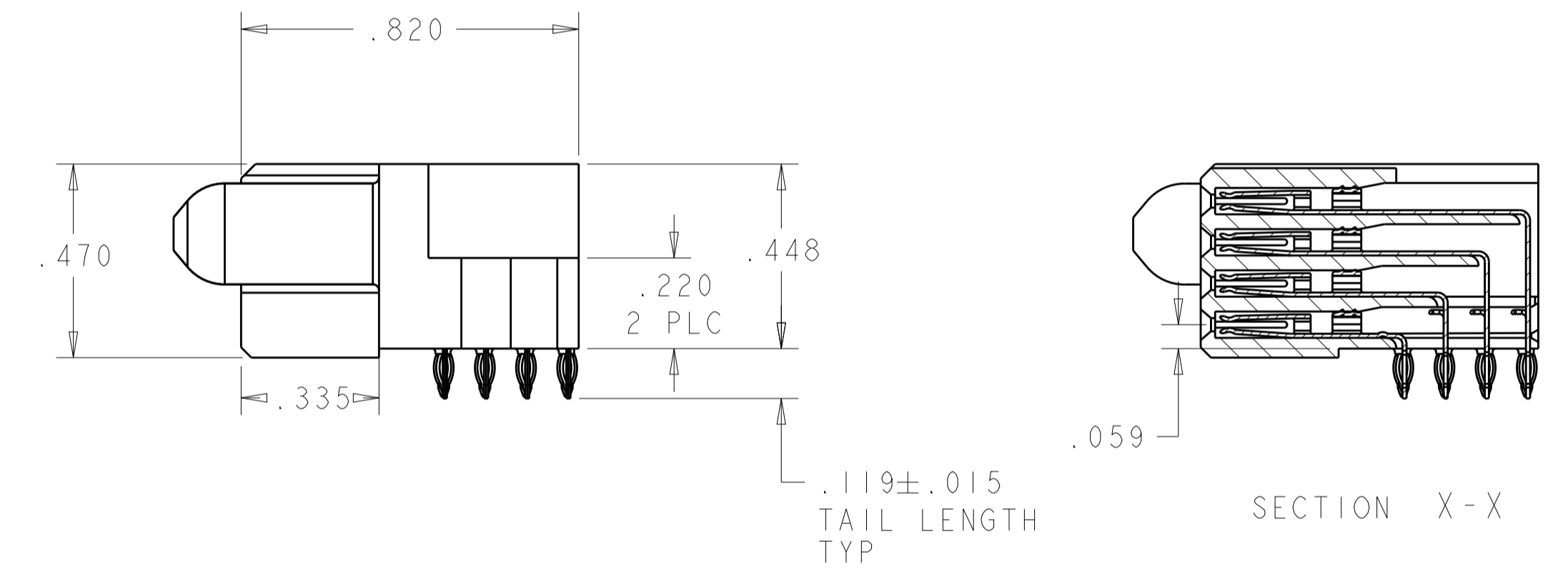
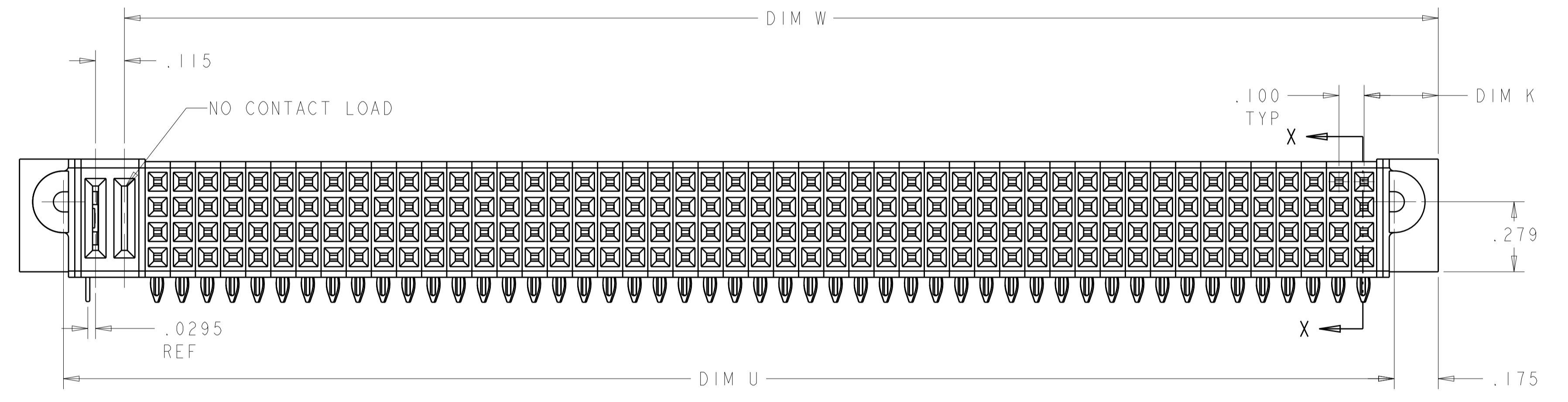


LOC		DIST		REVISIONS			
P	LTN	DESCRIPTION	DATE	DWN	APVD		
ES	00						
A6		UPDATE -2 NOTES	05FEB2013	AY	SZ		
A7		ADD NEW DASH NUMBER -5	22APR2014	AL	SZ		



- ⚠ "AMP", PART NUMBER, AND DATECODE TO BE MARKED IN AREA SHOWN. PARTS UNDER 2.00 LONG MAY BE MARKED ON BOTH SIDES.
- ⚠ MATERIAL: HOUSING - GLASS FILLED HIGH TEMP THERMO PLASTIC, BLACK, UL94 V-0
 SIGNAL CONTACT - COPPER ALLOY
 POWER CONTACT - HIGH CONDUCTIVITY COPPER ALLOY
- ⚠ CONTACT PLATING: NOBLE METAL PLATING ON CONTACT FUNCTIONAL AREA OF POWER AND SIGNAL CONTACTS
- ⚠ MECHANICAL CONNECTOR KEEP OUT ZONE.
- ⚠ DATUM AND BASIC DIMENSIONS ESTABLISHED BY CUSTOMER.
- ⚠ PCB - HOLE DIAMETERS ARE FINISHED HOLE SIZE.
- ⚠ PCB - .0453±.0010 DRILLED HOLES PLATED WITH .0003 MIN Sn OVER .001 TO .003 Cu PLATING TO ACHIEVE A .040 DIA HOLE.
- ⚠ FOR "S+P" CONFIGURATION, VARIABLE DIMENSIONS PLEASE REFER TO SHEET 2.



DIM T	DIM V	DIM U	DIM W	DIM D	DIM K	DIM L	DESCRIPTION	PART NUMBER
.200	2.350	2.140	.745	2.250	.270	2.490	16S + 8HDP	6450881-5
.250	3.700	3.490	.770	3.600	.295	3.840	16S + 12P	6450881-3
.250	3.200	2.990	.770	3.100	.295	3.340	16S + 10P	6450881-2
-	5.505	5.295	5.2275	5.405	.295	5.645	196S + 1LP	6450881-1

THIS DRAWING IS A CONTROLLED DOCUMENT.

DIMENSIONS: INCHES

TOLERANCES UNLESS OTHERWISE SPECIFIED:

0 PLC	±.01
1 PLC	±.01
2 PLC	±.01
3 PLC	±.005
4 PLC	±.0050
ANGLES	±.07°

MATERIAL: 2

FINISH: 3

THIS DRAWING IS A CONTROLLED DOCUMENT. DWN: S. ZHAO 03FEB2008, CHK: S. ZHAO 03FEB2008, APVD: S. YAO

PRODUCT SPEC: 108-2292

APPLICATION SPEC: 114-13038

WEIGHT: -

CUSTOMER DRAWING

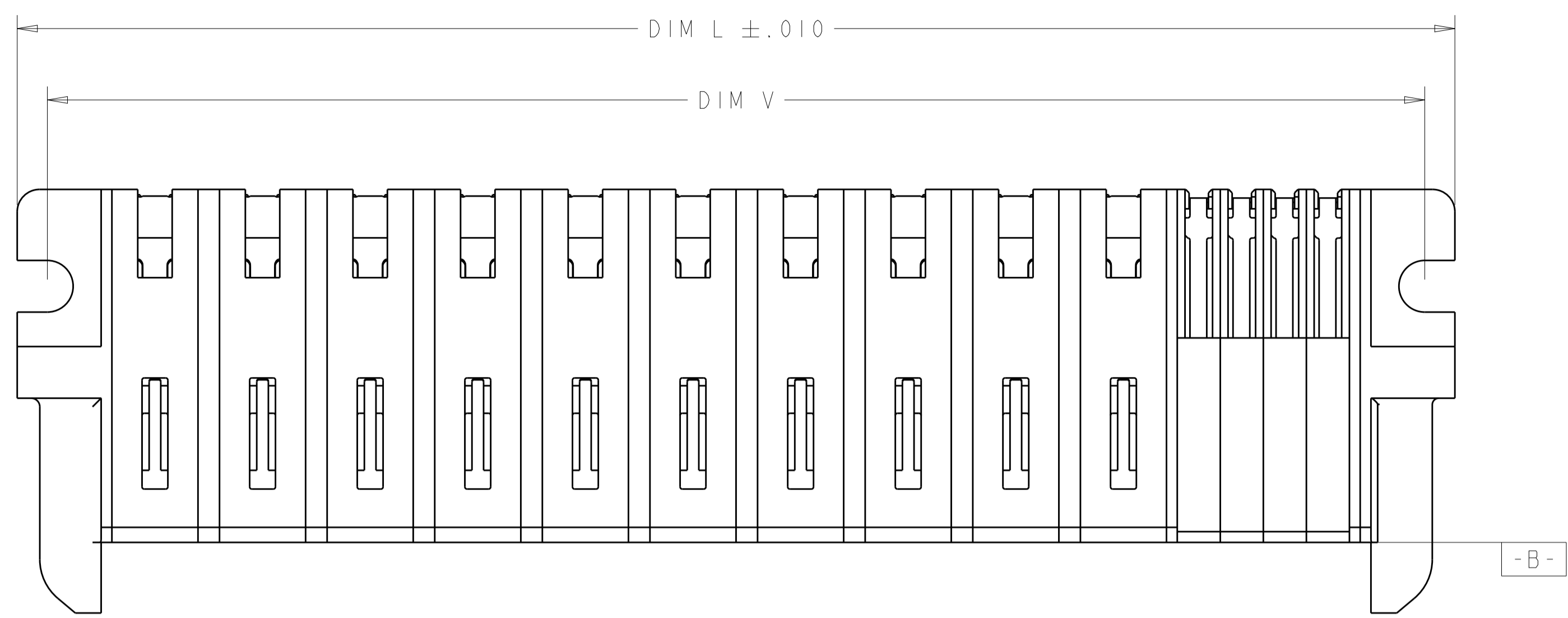
NAME: RIGHT ANGLE RECEPTACLE WITH LP AND SHORT END MODULAR MULTI-BEAM XLE

SIZE: A1, CAGE CODE: 6450881, DRAWING NO: 100779

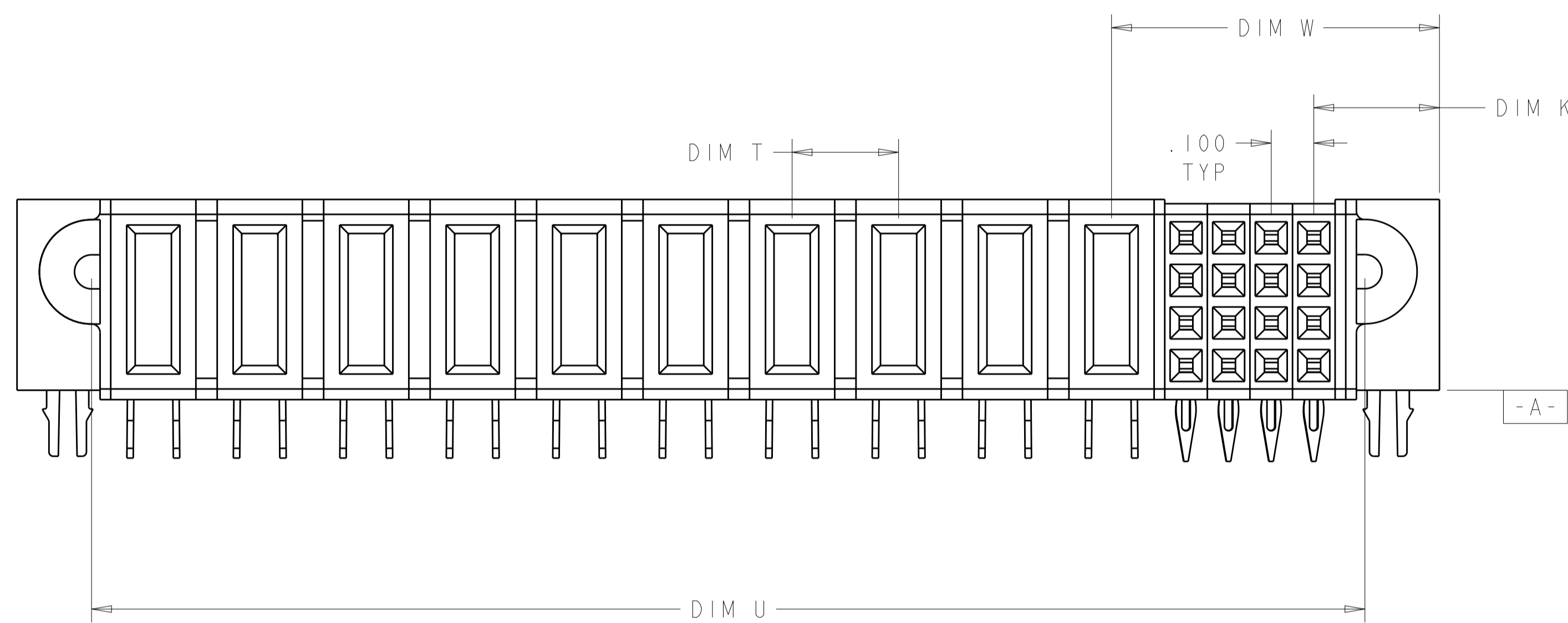
RESTRICTED TO: -

SCALE: 3:1, SHEET: 1 OF 5, REV: A7

LOC		DIST		REVISIONS			
ES	00	P	LTN	DESCRIPTION	DATE	DMN	APVD
		-		SEE SHEET 1			



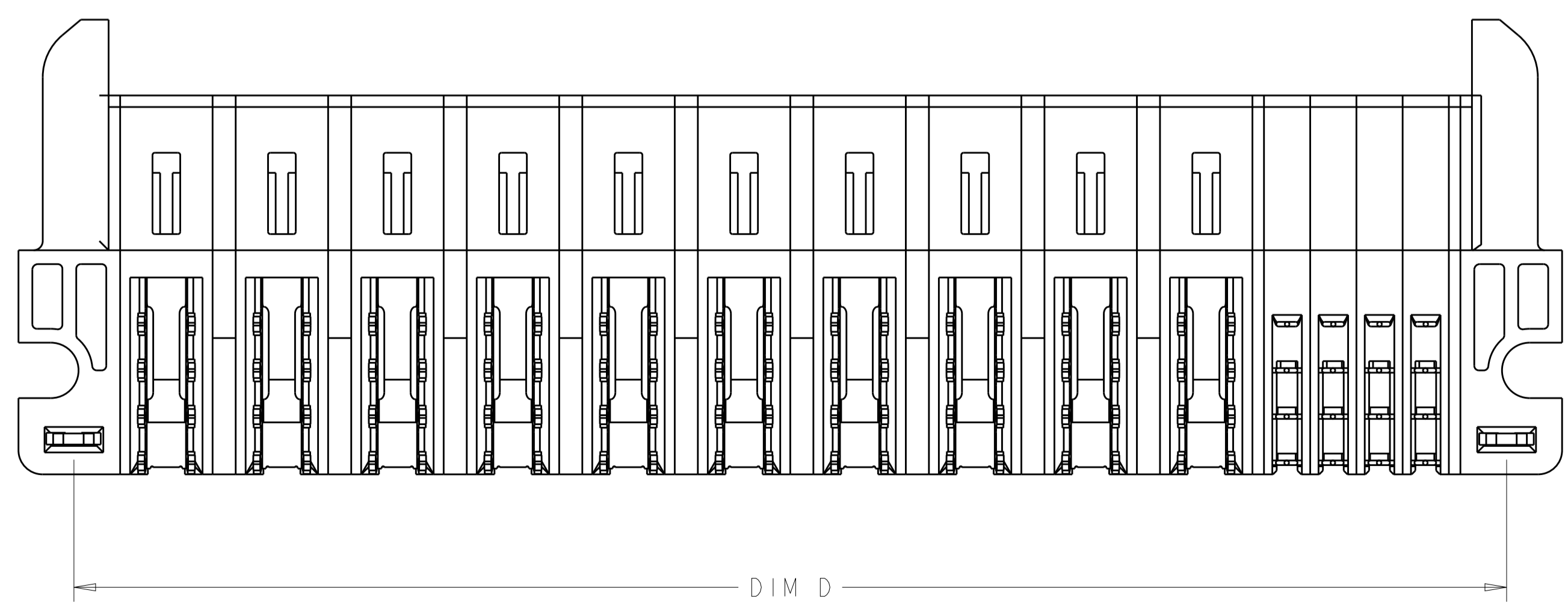
-B-



-A-

A2

FOR "S+P" CONFIGURATION
 UNSPECIFIED DIMENSIONS REFER TO SHEET 1



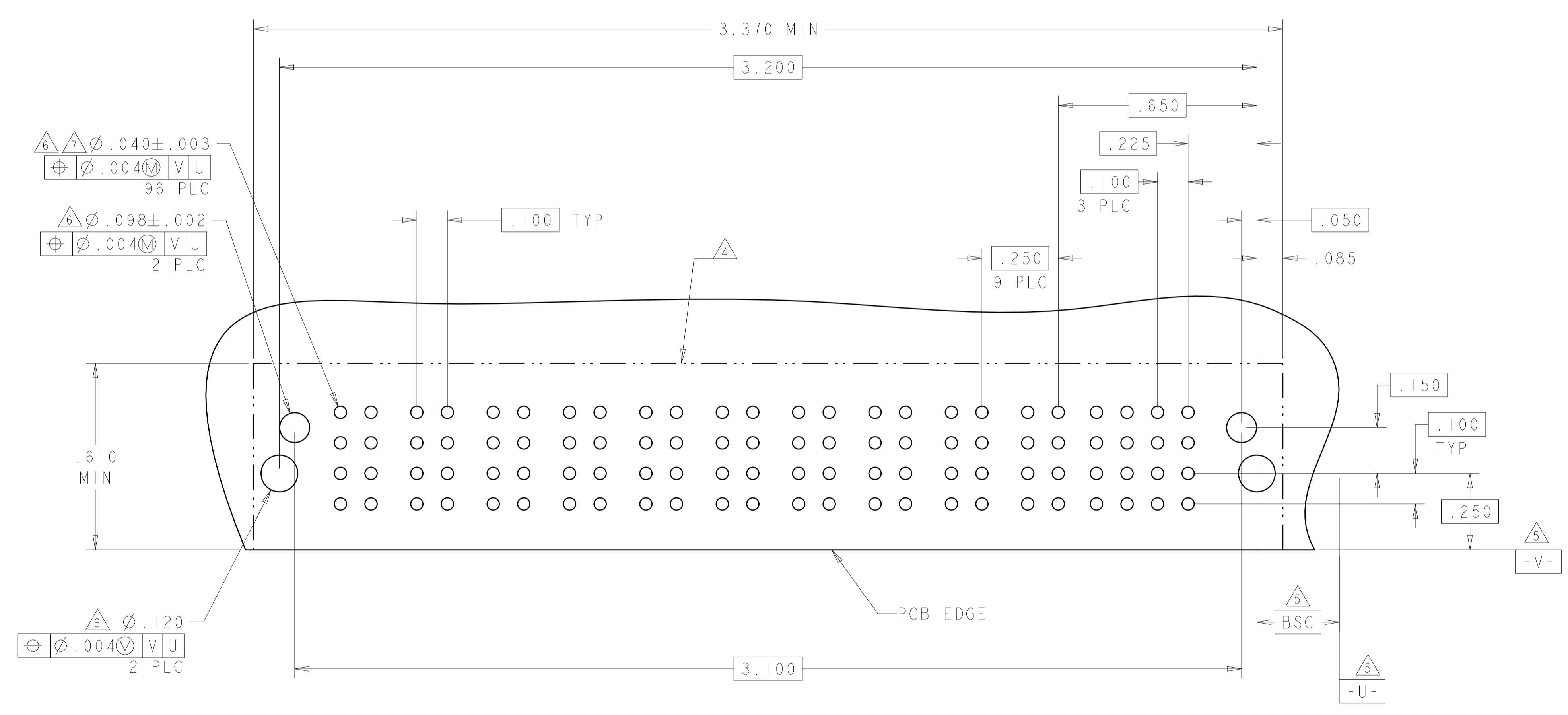
A2

A2

THIS DRAWING IS A CONTROLLED DOCUMENT.		DWN S. ZHAO 03FEB2008	TE Connectivity
		CHK S. ZHAO 03FEB2008	
DIMENSIONS: INCHES		TOLERANCES UNLESS OTHERWISE SPECIFIED:	NAME
0 PLC ±. 1 PLC ±.01 2 PLC ±.01 3 PLC ±.005 4 PLC ±.0050 ANGLES ±.2°		APVD S. YAO	RIGHT ANGLE RECEPTACLE WITH LP AND SHORT END MODULAR MULTI-BEAM XLE
MATERIAL		FINISH	PRODUCT SPEC 108-2292
			APPLICATION SPEC 114-13038
			SIZE CAGE CODE DRAWING NO. A100779C=6450881
			RESTRICTED TO
			WEIGHT
			CUSTOMER DRAWING
			SCALE 3:1 SHEET 2 OF 5 REV A7

LOC	DIST	REVISIONS					
		P	LTN	DESCRIPTION	DATE	DWN	APVD
ES	00	-	-	SEE SHEET 1	-	-	-

PART NUMBER	ROWS	POWER										SIGNAL			
		P10	P9	P8	P7	P6	P5	P4	P3	P2	P1	4	3	2	1
6450881-2	D C B A	RS	RS	RS	RS	RS	RS	RS	RS	RS	RS	D	D	D	D
												C	C	C	C
												B	B	B	B
												A	A	A	A
16S + 10P															



THIS DRAWING IS A CONTROLLED DOCUMENT.		DWN S. ZHAO 03FEB2008	TE Connectivity
DIMENSIONS: INCHES		CHK S. ZHAO 03FEB2008	
TOLERANCES UNLESS OTHERWISE SPECIFIED:		APVD S. YAO	NAME
0 PLC ±.01		PRODUCT SPEC	RIGHT ANGLE RECEPTACLE WITH LP AND SHORT END MODULAR MULTI-BEAM XLE
1 PLC ±.00		APPLICATION SPEC	SIZE
2 PLC ±.01		114-13038	CAGE CODE
3 PLC ±.005		WEIGHT	DRAWING NO
4 PLC ±.0050		CUSTOMER DRAWING	A100779
ANGLES ±.7°		SCALE	3:1
FINISH		SHEET	4 OF 5
MATERIAL		REV	A7

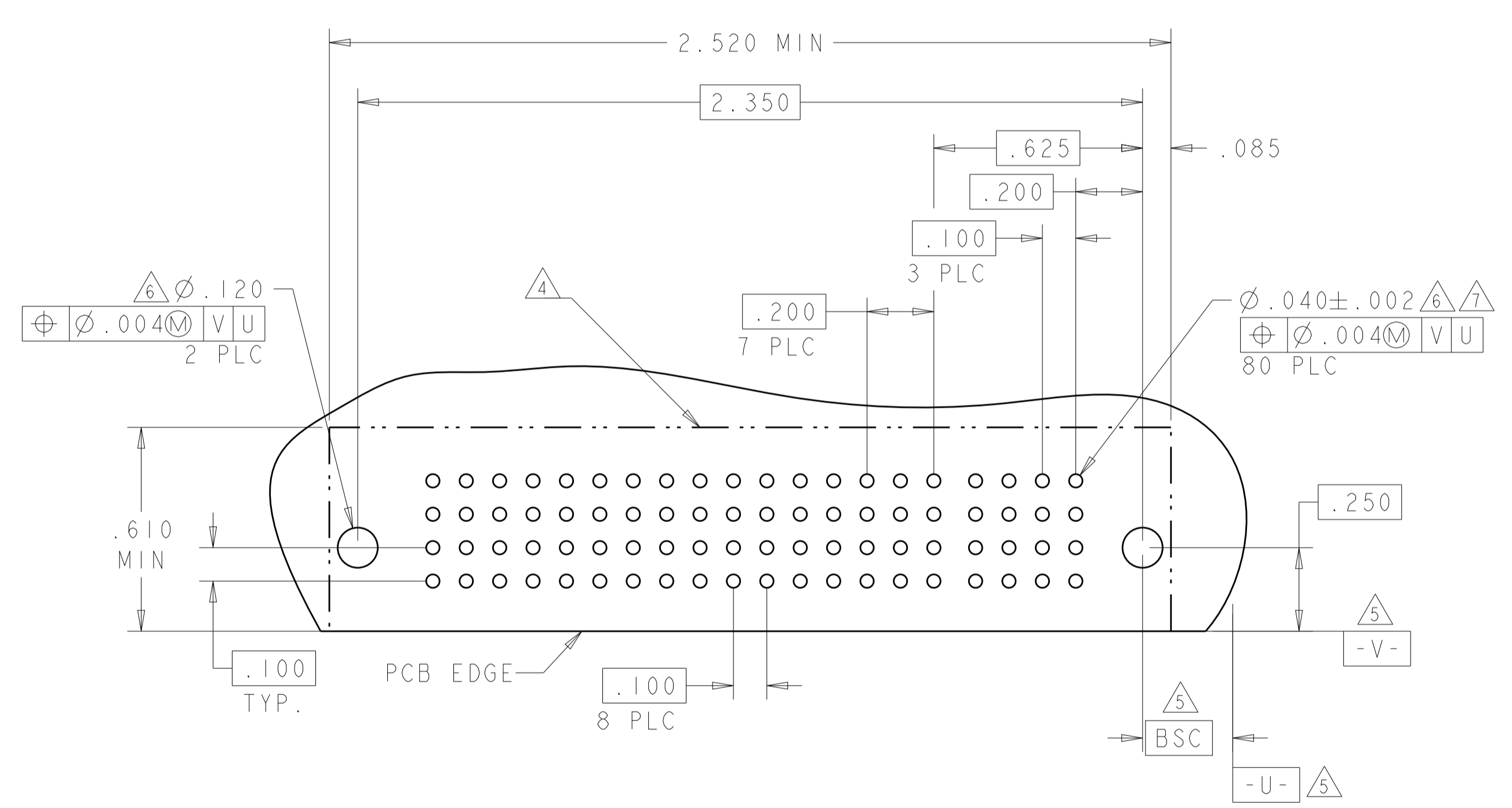
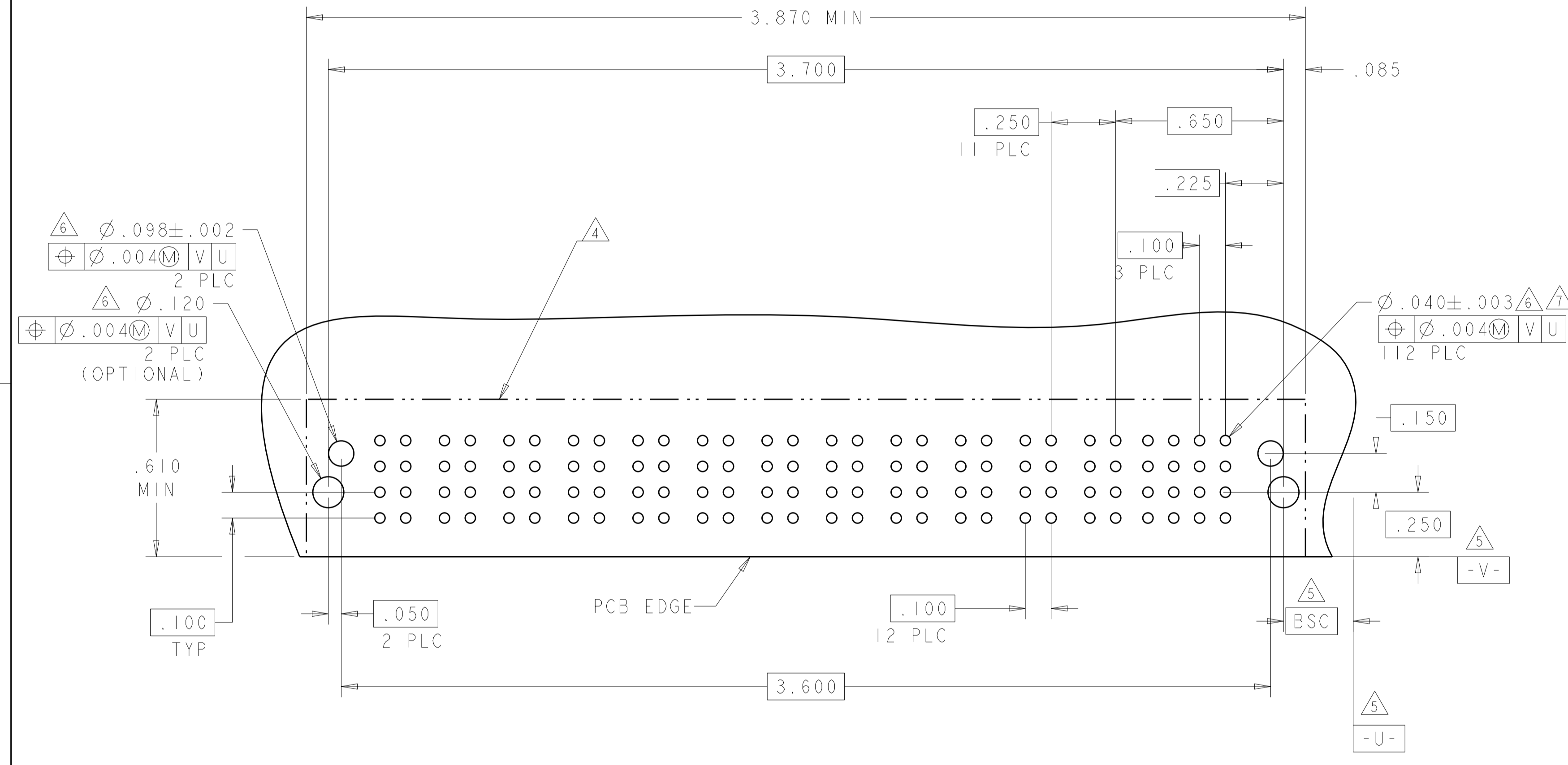
LOC		DIST		REVISIONS			
ES	00	P	LTN	DESCRIPTION	DATE	DMN	APVD
-	-	-	-	SEE SHEET 1	-	-	-

PART NUMBER	ROWS	POWER														4	3	2	1
		P12	P11	P10	P9	P8	P7	P6	P5	P4	P3	P2	P1						
6450881-3	D	RS	RS	RS	RS	RS	RS	RS	RS	RS	RS	RS	RS	RS	RS	D	D	D	D
	C															C	C	C	
	B															B	B	B	
	A															A	A	A	
16S + 12P		HD																HD	

PART NUMBER	ROWS	POWER								SIGNAL							
		P8	P7	P6	P5	P4	P3	P2	P1	4	3	2	1				
6450881-5	D	RS	RS	RS	RS	RS	RS	RS	RS	RS	RS	RS	RS	D	D	D	D
	C													C	C	C	
	B													B	B	B	
	A													A	A	A	
16S + 8HDP																	

A4

A7



THIS DRAWING IS A CONTROLLED DOCUMENT.		DMN S. ZHAO 03FEB2008	STE TE Connectivity
DIMENSIONS: INCHES		CHK S. ZHAO 03FEB2008	
TOLERANCES UNLESS OTHERWISE SPECIFIED:		APVD S. YAO	NAME
0 PLC ±.01	1 PLC ±.01	PRODUCT SPEC	RIGHT ANGLE RECEPTACLE WITH LP AND SHORT END MODULAR MULTI-BEAM XLE
2 PLC ±.01	3 PLC ±.005	APPLICATION SPEC	SIZE CAGE CODE DRAWING NO
4 PLC ±.0050	ANGLES ±.2°	114-13038	A100779C=6450881
MATERIAL	FINISH	WEIGHT	RESTRICTED TO
			CUSTOMER DRAWING
		SCALE 3:1	SHEET 5 OF 5 REV A7