

EV-GRIP-D35,7MM - Cable handle



1091431

<https://www.phoenixcontact.com/us/products/1091431>

Please be informed that the data shown in this PDF document is generated from our online catalog. Please find the complete data in the user documentation. Our general terms of use for downloads are valid.



CHARX connect, Cable handle, Accessories, For vehicle charging connector, HPC CCS type 2, HPC CCS type 1, IEC 62196-3-1, housing: black, Please note: The item can only be used with the outer cable diameter indicated.

Product description

Cable handle for DC vehicle charging connector

Your advantages

- Developed and produced in accordance with the IATF 16949 automotive standard and ISO 9001

Commercial data

Item number	1091431
Packing unit	1 pc
Minimum order quantity	1 pc
Sales key	EM01
Product key	XWBAFL
GTIN	4055626904634
Weight per piece (including packing)	310.5 g
Weight per piece (excluding packing)	310.5 g
Customs tariff number	39269097
Country of origin	DE

EV-GRIP-D35,7MM - Cable handle



1091431

<https://www.phoenixcontact.com/us/products/1091431>

Technical data

Notes

General	Please note: The item can only be used with the outer cable diameter indicated.
---------	---

Product properties

Product type	Cable handle
Product family	CHARX connect
Application	For vehicle charging connector
Type	Accessories
Technology	Combined Charging System High Power Charging
Label	8.9 mm x 28.9 mm (customer logo on request)
Charging standard	HPC CCS type 2 HPC CCS type 1
Charging mode	Mode 4

Material specifications

Color (Housing)	black (9005)
Flammability rating according to UL 94	V0 ()

Environmental and real-life conditions

Ambient conditions

Ambient temperature (operation)	-30 °C ... 50 °C
Ambient temperature (storage/transport)	-40 °C ... 80 °C

Standards and regulations

Standards

Standards/regulations	IEC 62196-3-1
-----------------------	---------------

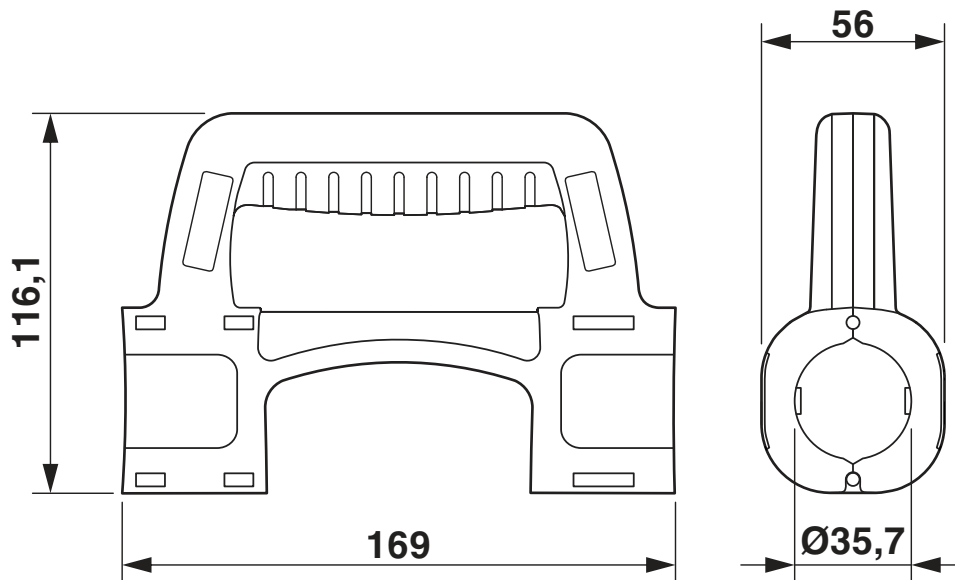
EV-GRIP-D35,7MM - Cable handle

1091431

<https://www.phoenixcontact.com/us/products/1091431>

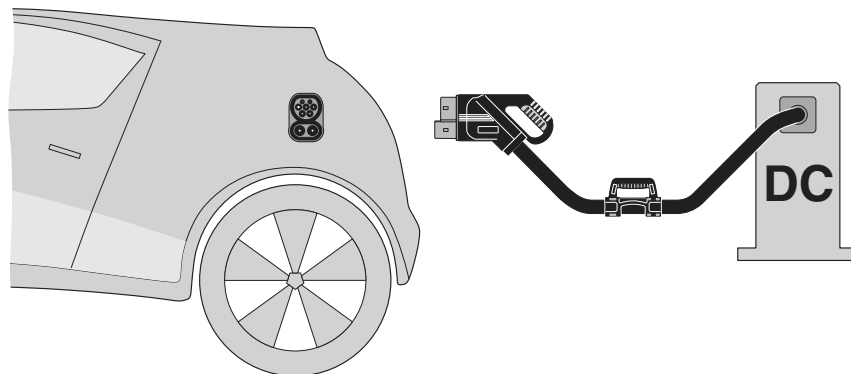
Drawings

Dimensional drawing



Dimensional drawing

Schematic diagram



The cable handle can be positioned at any point on the cable. It makes the charging cable easier to handle.

EV-GRIP-D35,7MM - Cable handle



1091431

<https://www.phoenixcontact.com/us/products/1091431>

Classifications

ECLASS

ECLASS-11.0	27144792
ECLASS-12.0	27144792
ECLASS-13.0	27144792

ETIM

ETIM 8.0	EC002884
----------	----------

UNSPSC

UNSPSC 21.0	39121500
-------------	----------

EV-GRIP-D35,7MM - Cable handle



1091431

<https://www.phoenixcontact.com/us/products/1091431>

Environmental product compliance

China RoHS	Environmentally friendly use period: unlimited = EFUP-e No hazardous substances above threshold values
------------	---

Phoenix Contact 2023 © - all rights reserved
<https://www.phoenixcontact.com>

Phoenix Contact USA
586 Fulling Mill Road
Middletown, PA 17057, United States
(+717) 944-1300
info@phoenixcon.com