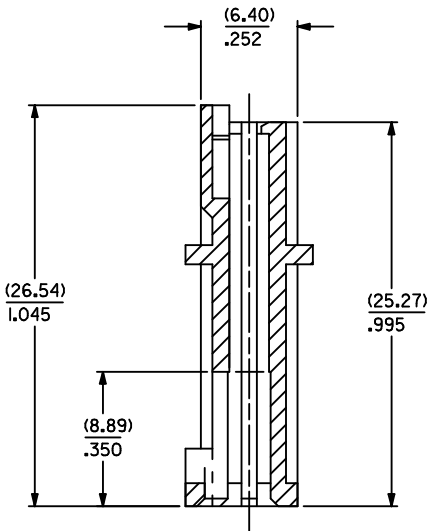
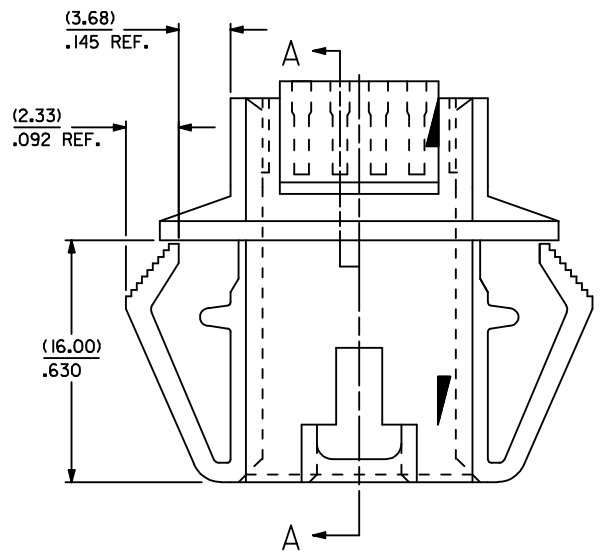
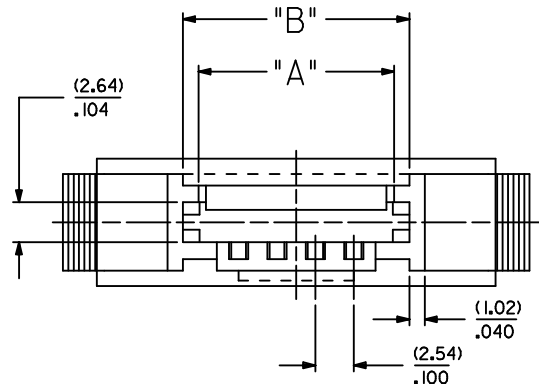


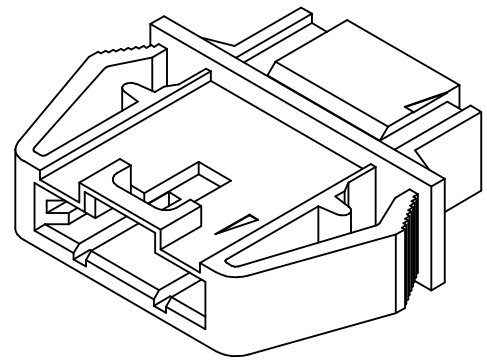
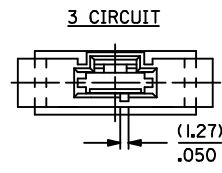
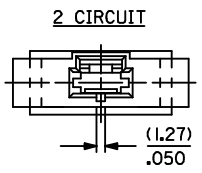
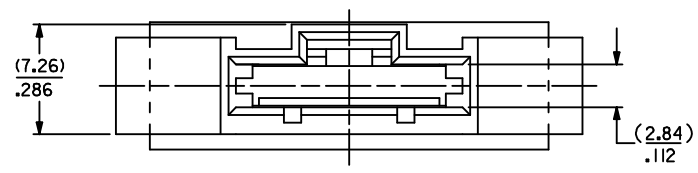
NOTES :

- 1) MATERIAL : POLYESTER, 94V-0
COLOR : BLACK
- 2) SEE CHART FOR CIRCUIT SIZES .
- 3) HOUSING TO BE USED WITH 70400 SERIES HOUSING (OPTION "G" & OPTION "D").
- 4) PANEL THICKNESS (0.81)/.032 - (2.36)/.093
- 5) SEE SHEET 2 FOR MOUNTING HOLE DIMENSIONS .
- 6) PACKAGE PER PK-70018-100.

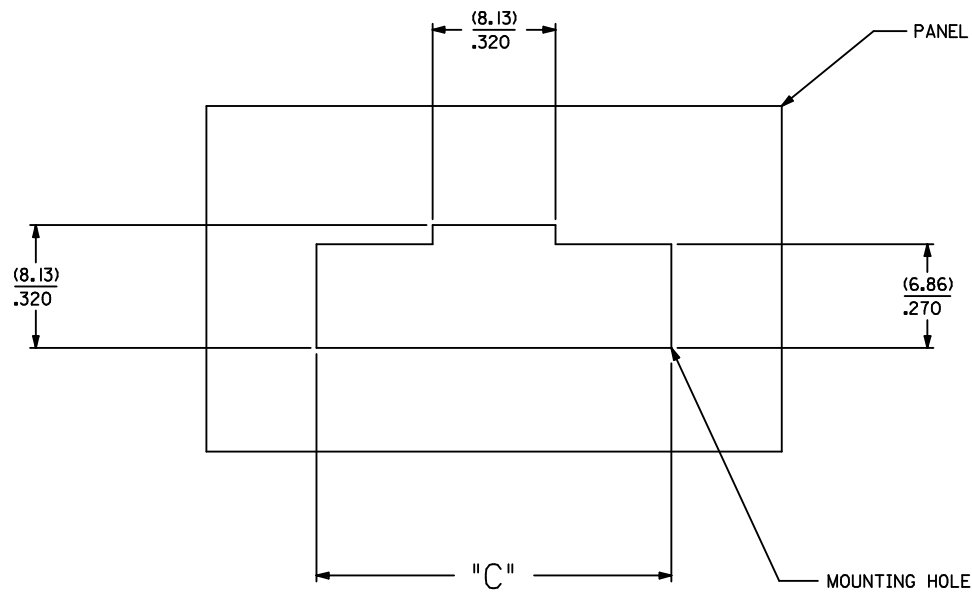
CKT. NO.	EDP. NO.	ENG. NO.	DIM. A	DIM. B
2	50-65-0202	70018-0001	(5.21) .205	(7.37) .290
3	50-65-0203	70018-0002	(7.75) .305	(9.91) .390
4	50-65-0204	70018-0003	(10.29) .405	(12.45) .490
5	50-65-0205	70018-0004	(12.83) .505	(14.99) .590
6	50-65-0206	70018-0005	(15.37) .605	(17.53) .690
7	50-65-0207	70018-0006	(17.91) .705	(20.07) .790
8	50-65-0208	70018-0007	(20.45) .805	(22.61) .890
9	50-65-0209	70018-0008	(22.99) .905	(25.15) .990
10	50-65-0210	70018-0009	(25.53) 1.005	(27.69) 1.090
11	50-65-0211	70018-0010	(28.07) 1.105	(30.23) 1.190
12	50-65-0212	70018-0011	(30.61) 1.205	(32.77) 1.290
13	50-65-0213	70018-0012	(33.15) 1.305	(35.31) 1.390
14	50-65-0214	70018-0013	(35.69) 1.405	(37.89) 1.490
15	50-65-0215	70018-0014	(38.23) 1.505	(40.39) 1.590
16	50-65-0216	70018-0015	(40.77) 1.605	(42.93) 1.690
17	50-65-0217	70018-0016	(43.31) 1.705	(45.47) 1.790
18	50-65-0218	70018-0017	(45.85) 1.805	(48.01) 1.890
19	50-65-0219	70018-0018	(48.39) 1.905	(50.55) 1.990
20	50-65-0220	70018-0019	(50.93) 2.005	(53.09) 2.090
21	50-65-0221	70018-0020	(53.47) 2.105	(55.63) 2.190
22	50-65-0222	70018-0021	(56.01) 2.205	(58.17) 2.290
23	50-65-0223	70018-0022	(58.55) 2.305	(60.71) 2.390
24	50-65-0224	70018-0023	(61.09) 2.405	(63.25) 2.490
25	50-65-0225	70018-0024	(63.63) 2.505	(65.79) 2.590



SECTION A-A



REVISE EC NO: UCP2008-0711 DRWNG: MORGAN 2007/10/02 CHKD: M. S. IBARRA 2007/10/09 APPR: S. MILLER 2007/10/10 M	DESCRIPTION 2007/10/10	QUALITY SYMBOLS ▽=0 ▽=0	GENERAL TOLERANCES (UNLESS SPECIFIED) 4 PLACES ± --- ± --- 3 PLACES ± --- ± .010 2 PLACES ± 0.25 ± .014 1 PLACE ± 0.35 ± --- ANGULAR ± 1/2°	DIMENSION STYLE MM/IN DRAWN BY ME DATE 1984/04/10 CHECKED BY WZ DATE 1984/04/10 APPROVED BY RL DATE 1984/04/10	SCALE INCH DESIGN UNITS INCH THIRD ANGLE PROJECTION	TITLE HOUSING PANEL MOUNT (OPTION "G" HOUSING TO OPTION "D" HOUSING)
		DRAFT WHERE APPLICABLE MUST REMAIN WITHIN DIMENSIONS	MATERIAL NO. SEE CHART DOCUMENT NO. SD-70018-0001-0024	SHEET NO. 1 OF 2		
		THIS DRAWING CONTAINS INFORMATION THAT IS PROPRIETARY TO MOLEX INCORPORATED AND SHOULD NOT BE USED WITHOUT WRITTEN PERMISSION				
		MOLEX INCORPORATED				



RECOMMENDED MOUNTING HOLE LAYOUT

CKT. NO.	EDP. NO.	ENG. NO.	DIM. C
2	50-65-0202	700 18-0001	(15.87) .625
3	50-65-0203	700 18-0002	(18.41) .725
4	50-65-0204	700 18-0003	(20.95) .825
5	50-65-0205	700 18-0004	(23.49) .925
6	50-65-0206	700 18-0005	(26.03) 1.025
7	50-65-0207	700 18-0006	(28.57) 1.125
8	50-65-0208	700 18-0007	(31.11) 1.225
9	50-65-0209	700 18-0008	(33.65) 1.325
10	50-65-0210	700 18-0009	(36.19) 1.425
11	50-65-0211	700 18-0010	(38.73) 1.525
12	50-65-0212	700 18-0011	(41.27) 1.625
13	50-65-0213	700 18-0012	(43.81) 1.725
14	50-65-0214	700 18-0013	(46.35) 1.825
15	50-65-0215	700 18-0014	(48.89) 1.925
16	50-65-0216	700 18-0015	(51.43) 2.025
17	50-65-0217	700 18-0016	(53.97) 2.125
18	50-65-0218	700 18-0017	(56.51) 2.225
19	50-65-0219	700 18-0018	(59.05) 2.325
20	50-65-0220	700 18-0019	(61.59) 2.425
21	50-65-0221	700 18-0020	(64.13) 2.525
22	50-65-0222	700 18-0021	(66.67) 2.625
23	50-65-0223	700 18-0022	(69.21) 2.725
24	50-65-0224	700 18-0023	(71.75) 2.825
25	50-65-0225	700 18-0024	(74.29) 2.925

REVISE EC NO: UCP2008-0711 DRWN:MORGAN 2007/10/02 CHKD:MSIBARRA 2007/10/09 APPR:SMILLER 2007/10/10 M	QUALITY SYMBOLS ▽=0 ▽=0	GENERAL TOLERANCES (UNLESS SPECIFIED)		DIMENSION STYLE MM/IN	SCALE 4:1	DESIGN UNITS INCH	THIRD ANGLE PROJECTION
		4 PLACES ± --- ± --- 3 PLACES ± --- ± .010 2 PLACES ± 0.25 ± .014 1 PLACE ± 0.35 ± ---	DRAWN BY ME 1984/04/10	DATE 1984/04/10	TITLE HOUSING PANEL MOUNT (OPTION "G" HOUSING TO OPTION "D" HOUSING)		
		ANGULAR ± 1/2°	CHECKED BY WZ 1984/04/10	DATE 1984/04/10	MOLEX INCORPORATED		
		DRAFT WHERE APPLICABLE MUST REMAIN WITHIN DIMENSIONS	APPROVED BY RL 1984/04/10	DATE 1984/04/10	SEE CHART	DOCUMENT NO. SD-70018-0001-0024	SHEET NO. 2 OF 2

THIS DRAWING CONTAINS INFORMATION THAT IS PROPRIETARY TO MOLEX INCORPORATED AND SHOULD NOT BE USED WITHOUT WRITTEN PERMISSION