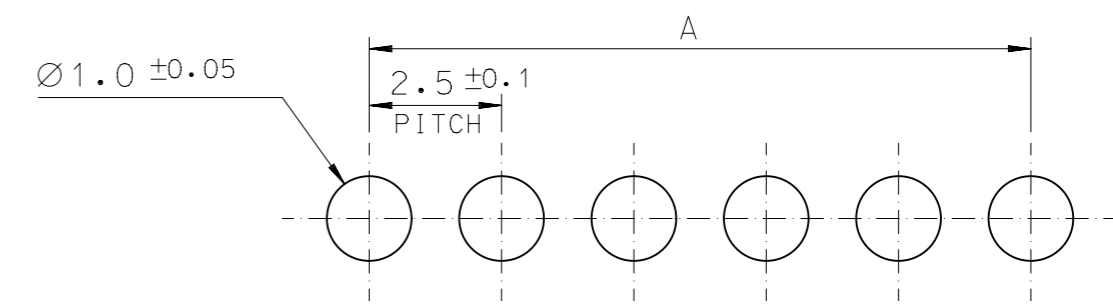
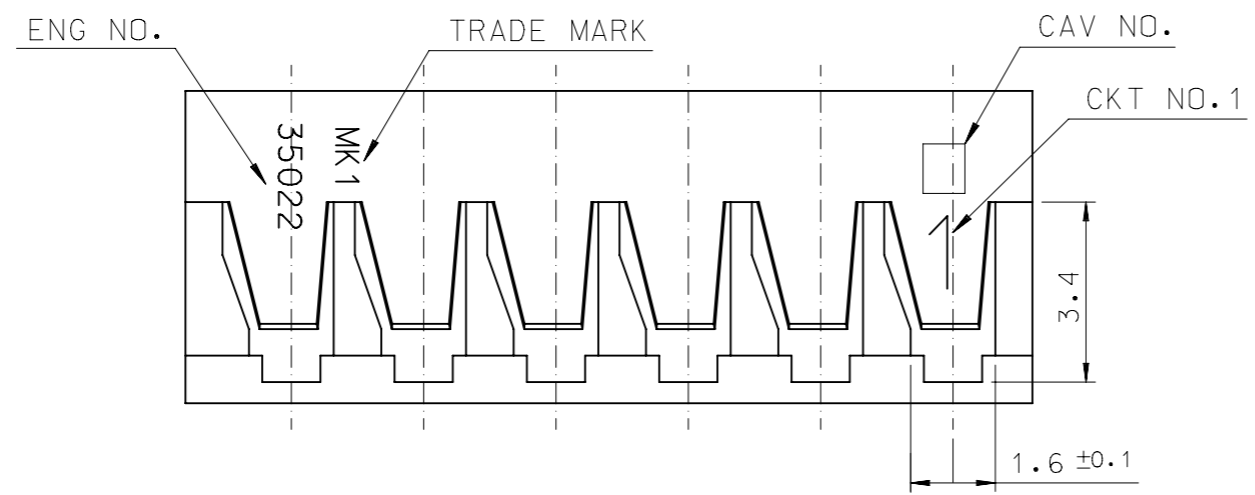
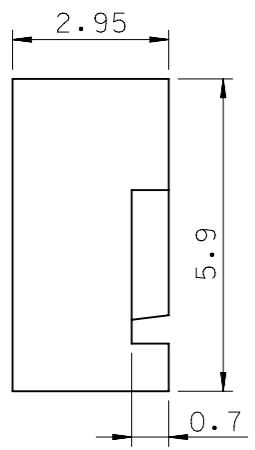
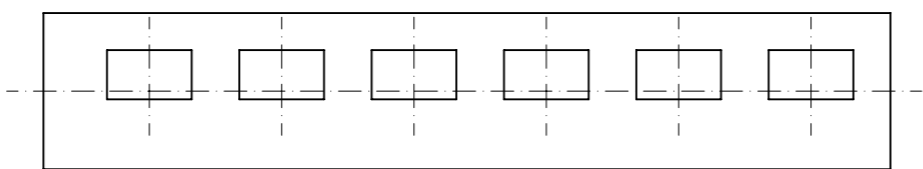


RIGHT ANGLE TYPE

STRAIGHT TYPE



P.C. BOARD LAY OUT
(THK.: 1.6+)



- NOTE.**
1. MATERIAL : PA66,UL94V-0
COLOR : IVORY ①
 2. PRODUCT SPECIFICATION : PS-35022-003
 3. PACKAGING SPECIFICATION : PK-35022-001
 4. APPLICABLE TERMINAL
- R/A : 35021 - 1001/1160
- ST : 35044 - 9104/9105

				23.5	20.0	-0009	9
41.0	37.5	35022-0016	16	21.0	17.5	-0008	8
38.5	35.0	-0015	15	18.5	15.0	-0007	7
36.0	32.5	-0014	14	16.0	12.5	-0006	6
33.5	30.0	-0013	13	13.5	10.0	-0005	5
31.0	27.5	-0012	12	11.0	7.5	-0004	4
28.5	25.0	-0011	11	8.5	5.0	-0003	3
26.0	22.5	-0010	10	6.0	2.5	35022-0002	2
B	A	ENG NO.	CKT NO.	B	A	ENG NO.	CKT NO.

FUNCTIONAL SYMBOLS $\nabla/A = 0$ $\nabla/E = 0$ $\nabla/E = 0$ DIVISIONAL SYMBOLS 4 PLACES ± 3 PLACES ± 0.3 2 PLACES ± 0.3 1 PLACE ± 0.3 0 PLACES ±	THIS DRAWING CONTAINS INFORMATION THAT IS PROPRIETARY TO MOLEX ELECTRONIC TECHNOLOGIES, LLC AND SHOULD NOT BE USED WITHOUT WRITTEN PERMISSION DIMENSION UNITS: mm SCALE: 1:1 GENERAL TOLERANCES (UNLESS SPECIFIED) ANGULAR TOL ± 1.0°	CURRENT REV DESC: EC NO: 637044 DRWN: SCHONG03 CHK'D: JBJIN APPR: JBJIN			
	EC NO: 637044 DRWN: SCHONG03 CHK'D: JBJIN APPR: JBJIN	2020/05/06 2020/05/07 2020/05/12			2.5MM R/A B-IN CONNECTOR HOUSING PRODUCT CUSTOMER DRAWING
	DRAFT WHERE APPLICABLE MUST REMAIN WITHIN DIMENSIONS THIRD ANGLE PROJECTION	DRAWING: A3-SIZE SERIES: 35022	INITIAL REVISION: DRWN: RFC_PLMIMP APPR: YUNSIKKIM	2018/12/06 2010/12/28	DOCUMENT NUMBER: SD-35022-00XX DOC TYPE: PSD DOC PART: 001 REVISION: J1
		MATERIAL NUMBER: 35022 CUSTOMER: GENERAL MARKET	SHEET NUMBER: 1 OF 1		