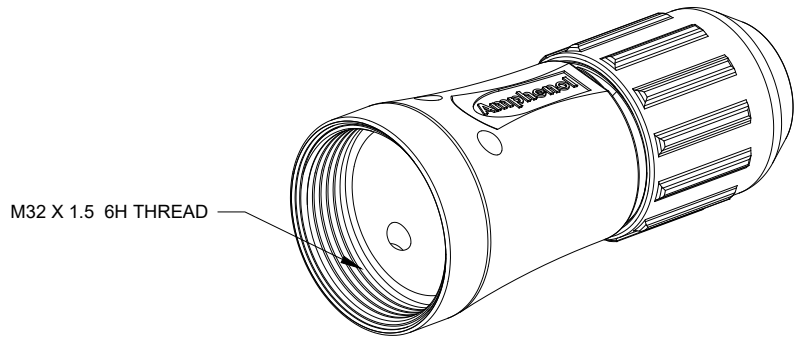
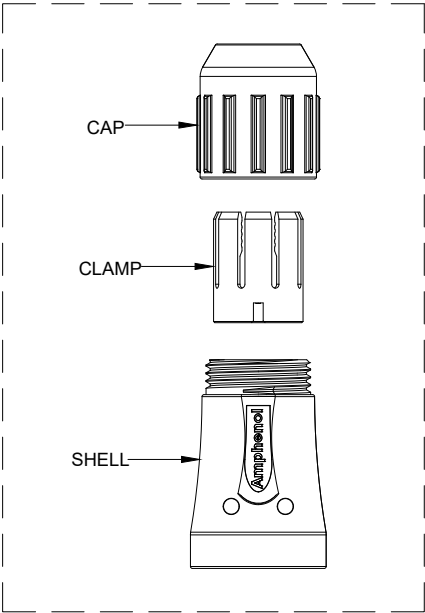
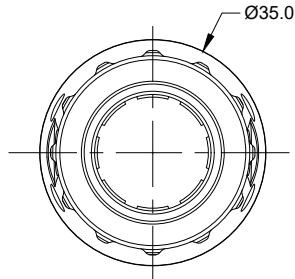
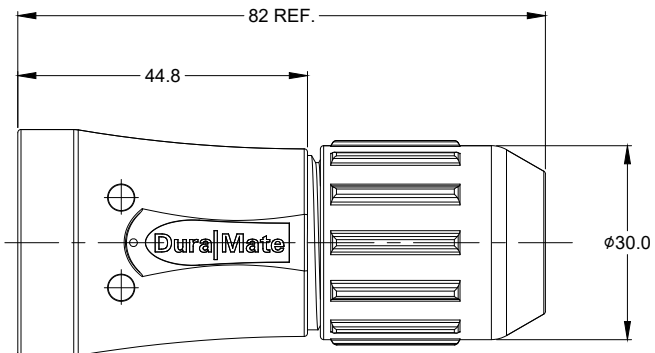


| REVISIONS | | | | | |
|-----------|-----|---------------------|-----------|--------|-------|
| REV | ECO | DESCRIPTION | DATE | BY | APPR |
| A1 | -- | RELEASE NEW DRAWING | 26/SEP/18 | ROOKIE | TOMMY |



NOTES: UNLESS OTHERWISE SPECIFIED

- MATERIAL:
SHELL: ALUMINIUM ALLOY, NICKEL PLATED;
CAP AND CLAMP: THERMOPLASTIC.
- USE WITH AHDM SERIES SIZE 18 MODIFICATION .
- APPLY TO CABLE OD SIZE: $\phi 14.5 \sim \phi 18.0$.
- RoHS COMPLIANT.
- ALL DIMENSIONS ARE FOR REFERENCE USE ONLY.

TITLE: BACKSHELL, 18 SZ, AHDM
DWG NO: AHDMB-18-002
REV: A1
SH: 1
OF: 1

| | | | | |
|---|--|--|--|----------------------|
| AHDMB-18-002 | | DESCRIPTION | | ITEM |
| PART NUMBER | | DESCRIPTION | | ITEM |
| QUANTITY | | MATERIALS LIST | | |
| UNLESS OTHERWISE SPECIFIED: 1) All dimensions are in metric(mm). 2) Tolerances are as follows: 1 PL DEC ± 0.30 Fractions $\pm 1/64$ 2 PL DEC ± 0.15 Angles $\pm 1^\circ$ 3 PL DEC ± 0.08 3) Note reference = Δ | | SIGNATURES | | DATE |
| MATERIAL SPECIFICATIONS: | | DRAWN: ROOKIE | | 26/SEP/18 |
| PROCESS SPECIFICATIONS: | | CHECKED: ORION | | 26/SEP/18 |
| NEXT ASSY: | | ENGINEER: | | |
| | | APPROVAL: TOMMY | | 26/SEP/18 |
| | | CUSTOMER: | | |
| | | THIS DRAWING IS SUPPLIED FOR INFORMATION ONLY. DESIGN FEATURES, SPECIFICATIONS AND PERFORMANCE DATA SHOWN HEREON ARE THE PROPERTY OF THE AMPHENOL CORPORATION. NO RIGHTS OF REPRODUCTION ARE IMPLIED. ALL DIMENSIONS ARE SUBJECT TO NORMAL MANUFACTURING VARIATIONS. | | |
| | | SIZE: B C- | | DWG NO: AHDMB-18-002 |
| | | SCALE: NONE | | REVISION: A1 |
| | | SHEET 1 OF 1 | | |

Amphenol
Sine Systems - www.amphenol-sine.com
44724 Morley Drive
Clinton Township, MI 48036

BACKSHELL, 18 SZ, AHDM