

## Electronic housing - EG 67,5-AG/PC GN - 2764946

Please be informed that the data shown in this PDF Document is generated from our Online Catalog. Please find the complete data in the user's documentation. Our General Terms of Use for Downloads are valid (<http://phoenixcontact.com/download>)

Housing cover, closed



Illustration shows a fully mounted version of the electronic housing

### Product Features

- ✓ Tool-free mounting
- ✓ Functional and industry-oriented housing technology
- ✓ Fast snap-on mounting on symmetrical DIN rails according to EN 60715
- ✓ Optimum accommodation of electronic components with graded pitches with a design width of 22.5 mm, 45 mm, 67.5 mm, and 90 mm
- ✓ Date of manufacture and material and part identification embossed on the housing (recyclability)
- ✓ Practical and easy-to-wire conductor connection using extra finely stranded sturdy screw terminal blocks up to 2.5 mm<sup>2</sup>
- ✓ Shock and contamination-proof accommodation of electronic components (IP40 housing, IP20 terminal blocks)



### Key commercial data

Packing unit	1 pc
Weight per Piece (excluding packing)	21.3 GRM
Custom tariff number	85369010
Country of origin	Germany

### Technical data

#### General

Housing type	Component housing
Color	green

#### Dimensions

Constructional height	17.5 mm
Width	67.5 mm

#### Technical data

# Electronic housing - EG 67,5-AG/PC GN - 2764946

## Technical data

### Technical data

Inflammability class according to UL 94	V0
Number of positions	26

## Classifications

### eCl@ss

eCl@ss 4.0	27180401
eCl@ss 4.1	27180401
eCl@ss 5.0	27180506
eCl@ss 5.1	27180506
eCl@ss 6.0	27180802
eCl@ss 7.0	27182702
eCl@ss 8.0	27182702

### ETIM

ETIM 2.0	EC001031
ETIM 3.0	EC001031
ETIM 4.0	EC001031
ETIM 5.0	EC000886

### UNSPSC

UNSPSC 6.01	31261501
UNSPSC 7.0901	31261501
UNSPSC 11	31261501
UNSPSC 12.01	31261501
UNSPSC 13.2	31261501

## Approvals

### Approvals

---

#### Approvals

UL Recognized

---

#### Ex Approvals

---

# Electronic housing - EG 67,5-AG/PC GN - 2764946

## Approvals

Approvals submitted

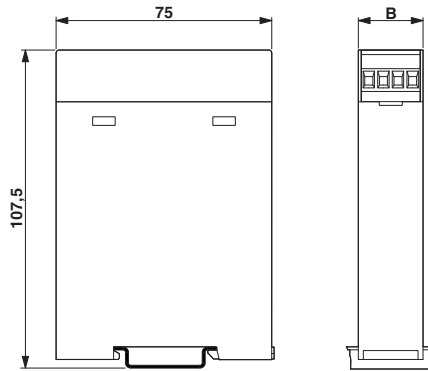
---

## Approval details



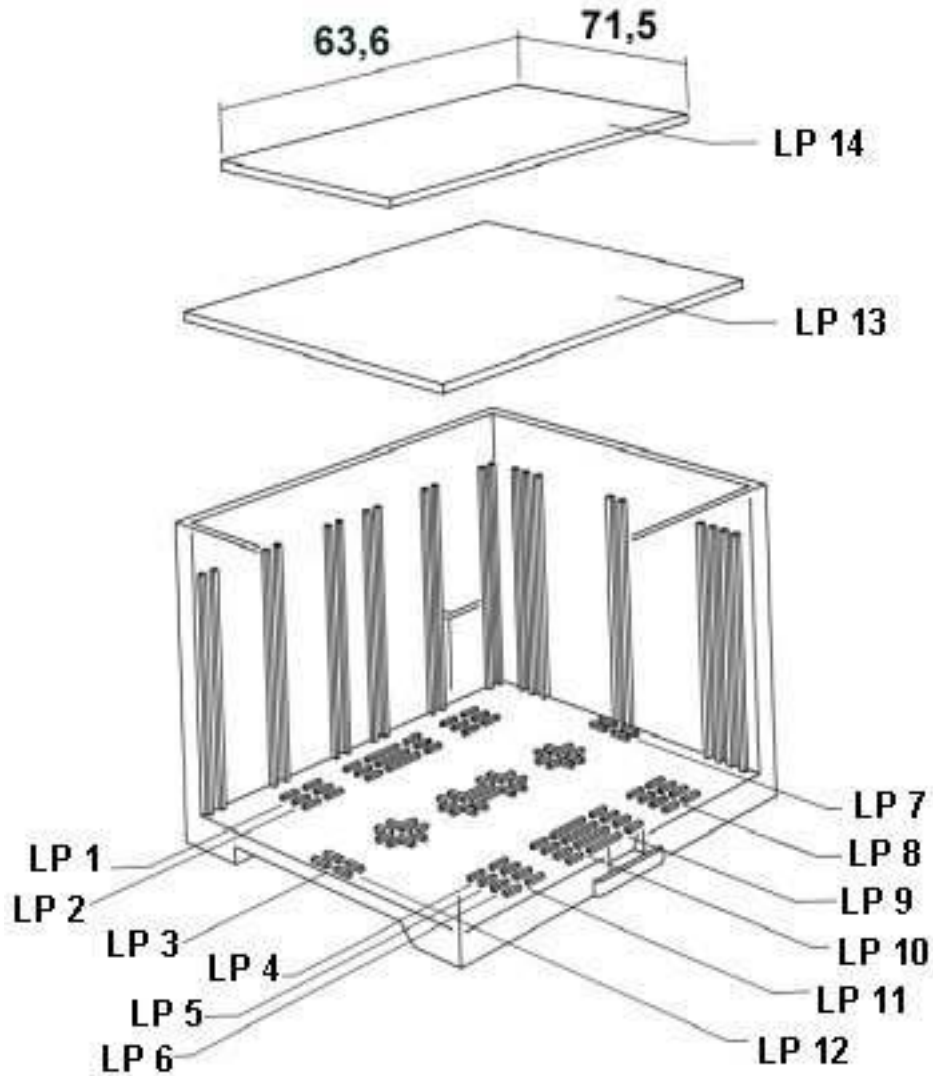
## Drawings

Dimensioned drawing



# Electronic housing - EG 67,5-AG/PC GN - 2764946

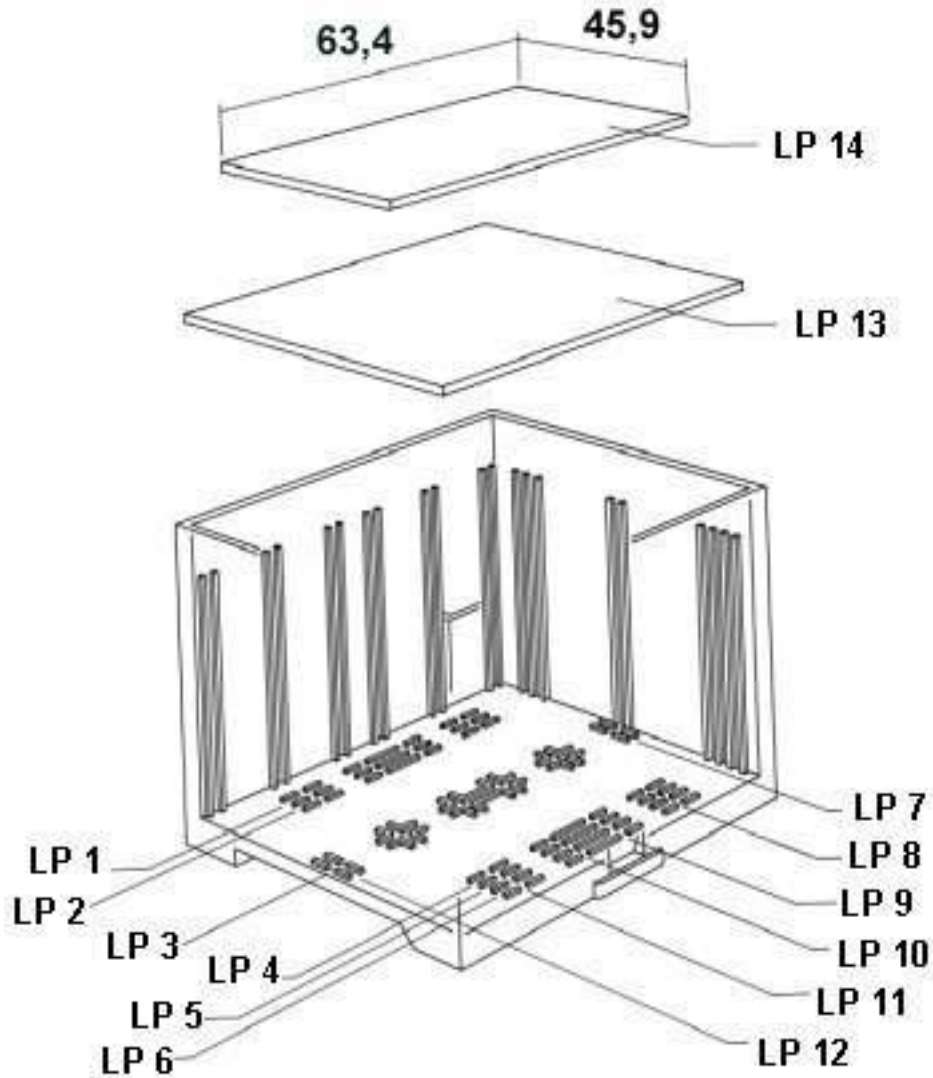
Explosion drawing



valid for PCB 13

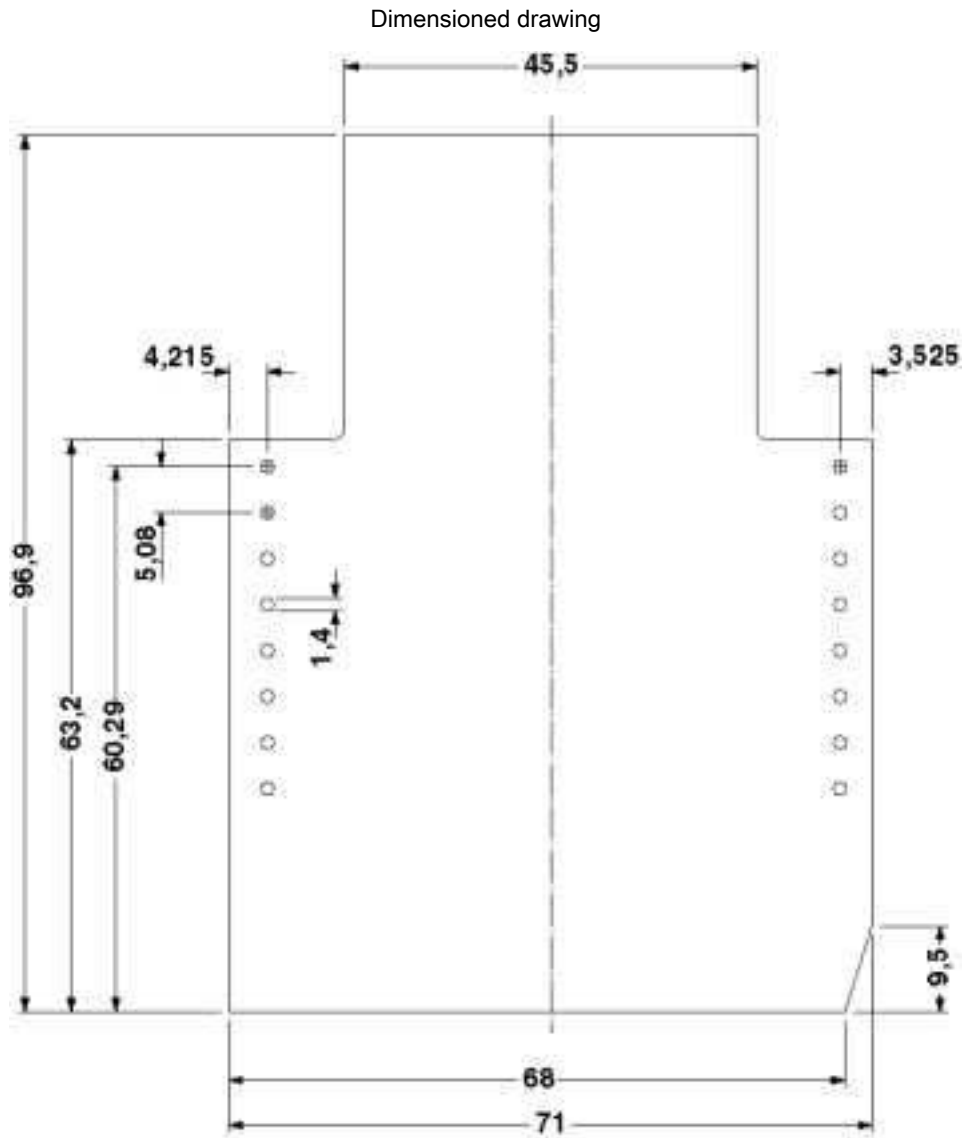
# Electronic housing - EG 67,5-AG/PC GN - 2764946

Explosion drawing



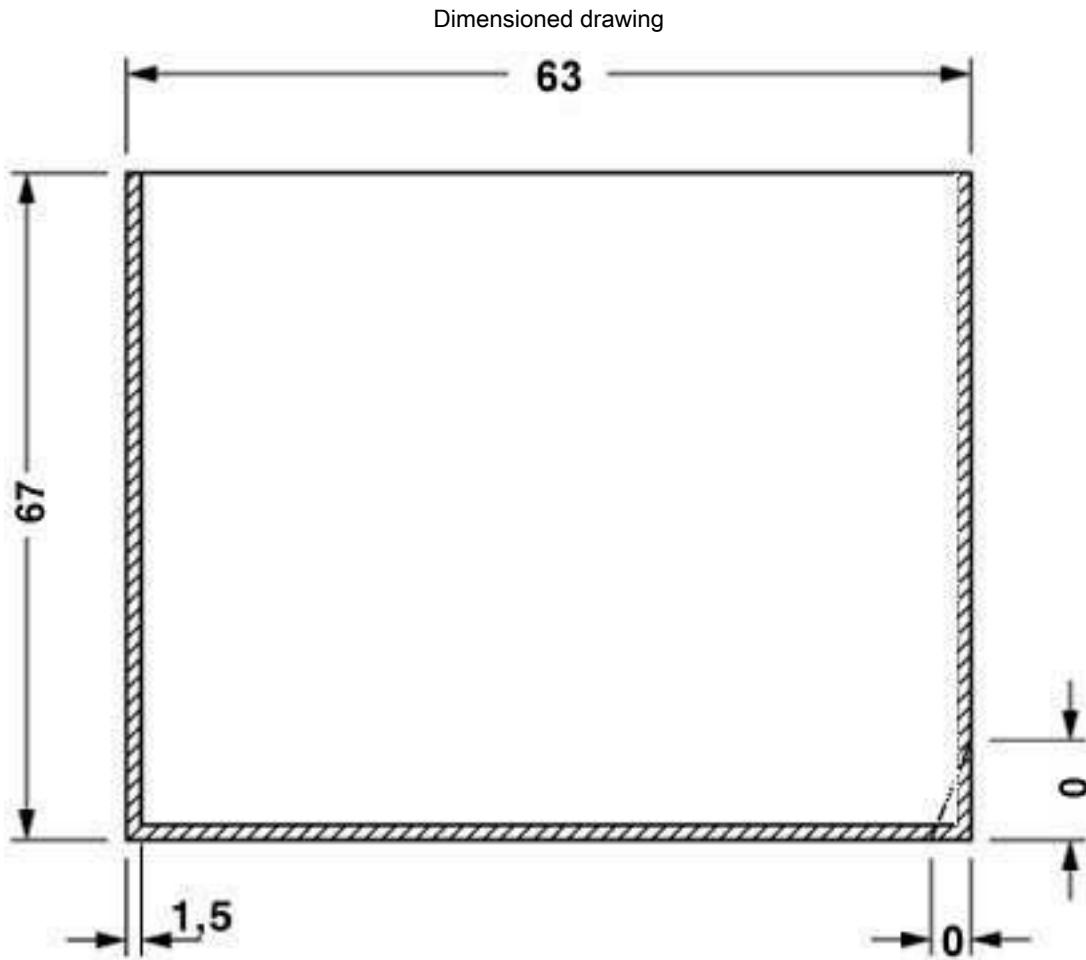
valid for PCB 14

# Electronic housing - EG 67,5-AG/PC GN - 2764946



Component mounting side, if the double-level upper part is used

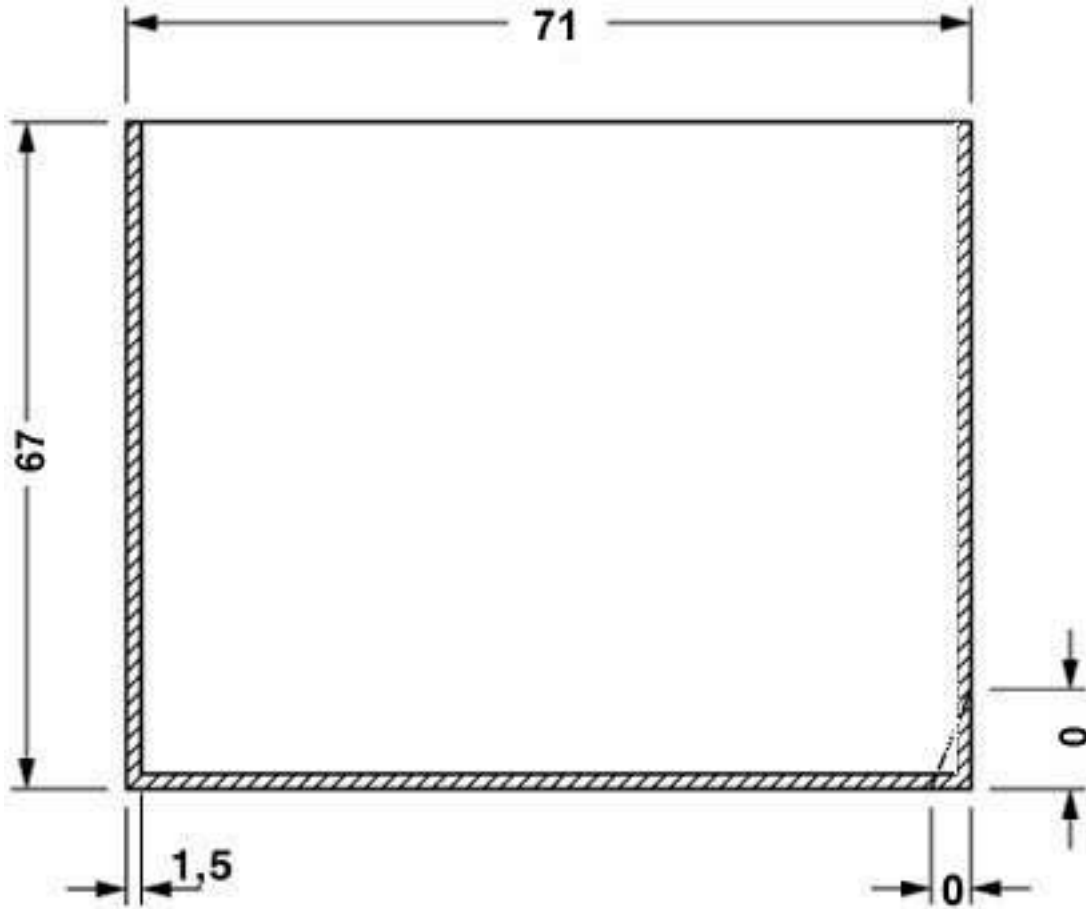
# Electronic housing - EG 67,5-AG/PC GN - 2764946



valid for PCB 1; 2; 3; 4; 5 und 6, see explosion drawing

# Electronic housing - EG 67,5-AG/PC GN - 2764946

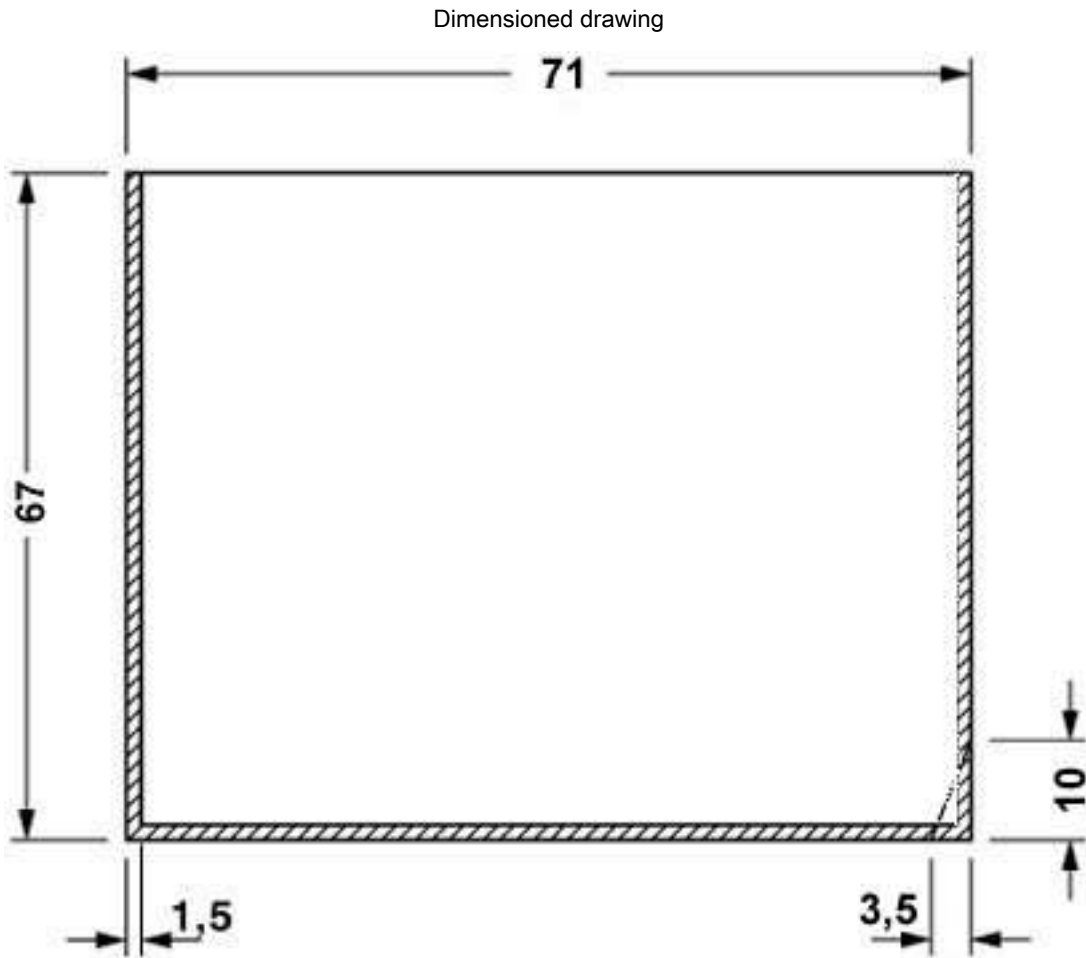
Dimensioned drawing



valid for PCB 7; 8; 11 and 12, see explosion drawing



## Electronic housing - EG 67,5-AG/PC GN - 2764946



valid for PCB 9, see explosion drawing