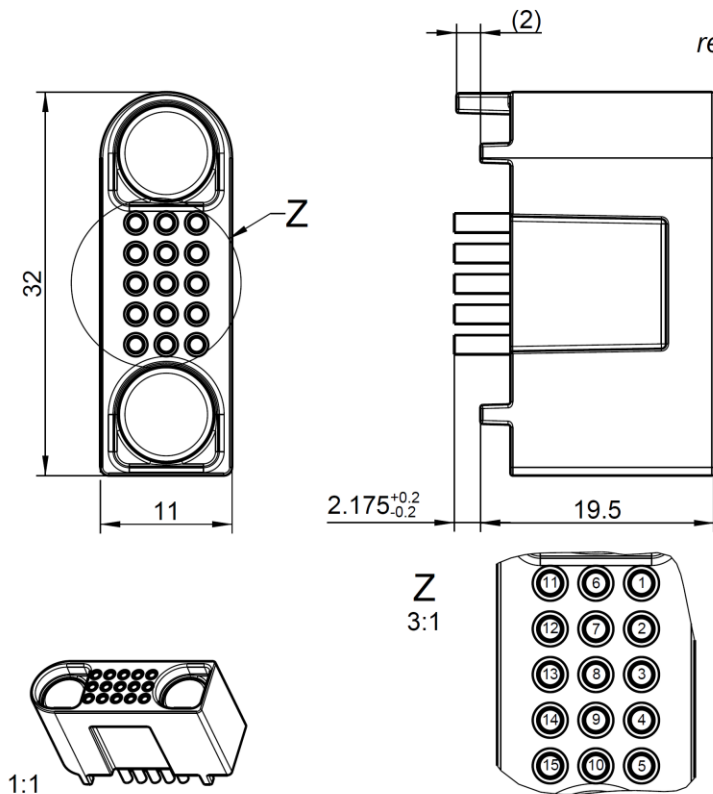


Belegungsplan - PCB Kuppler  
*recommended face plan - straight jack pcb*



Pos.	Signal signal
1	D4-
2	D4+
3	DC
4	TX+/D1+
5	TX-/D1-
6	DC-Power+
7	DC-Power+
8	Ground
9	DC-Power-
10	DC-Power-
11	D3-
12	D3+
13	DC
14	RX-/D2-
15	RX+/D2+

All dimensions are in mm; tolerances according to ISO 2768 m-H

**General Information**

Magnetic connector	
Coding	mechanical
Number and type of contacts	15 rigid pins
Soldering	Solder cup for pre-tinned wire with cross section 0.25 mm <sup>2</sup>

**Interface**

Mating with	MultiMag 15 cable assembly
-------------	----------------------------

**Material and Plating**

**Connector parts**

Insulator  
Contact  
Magnets

**Material**

PBT  
Brass  
NdFeB N52

**Plating**

white, similar RAL 9003  
AuroDur®, gold plated  
Nickel

Dieses Dokument ist urheberrechtlich geschützt • This document is protected by copyright • Rosenberger Hochfrequenztechnik GmbH & Co. KG

RF\_35/05.10/6.0

MultiMag 15 Receptacle  
(Solder Cup Termination)

**M9K102-199L**

**Flammability Rating**

**Connector parts**

Insulator

**Category**

uncolored raw material acc. to UL94 V-0\*

\*Please note that a non UL rated color batch is added

**Electrical Data**

Operating voltage

12 V

Operating current

max. 4.5 A

max. 1.5 A per contact

Contact resistance

typically  $\leq 60 \text{ m}\Omega$

Impedance

$\sim 100 \Omega$  differential pairs

**Mechanical Data**

Mating cycles without load

min. 10.000

Mating cycles under load

min. 1.000

Magnetic retention force

average  $\sim 14 \text{ N}$

**Environmental Data**

Temperature range

-25 °C to +65 °C

Magnets start losing their magnetic properties above 65 °C

Chemical resistance

Isopropanol 70 %

**Compliance**

RoHS

compliant

**Packing**

Standard

25 pcs in blister

Weight

$\sim 16.4 \text{ g/pc}$

**Caution!**

**Magnets can impact the function of pace makers and implantable cardioverter-defibrillators (e.g. actuation of reed switch). Keep a minimum distance of 0.2 m (20 cm) between the magnetic connector and the implanted devices to prevent malfunction and danger to health.**

While the information has been carefully compiled to the best of our knowledge, nothing is intended as representation or warranty on our part and no statement herein shall be construed as recommendation to infringe existing patents. In the effort to improve our products, we reserve the right to make changes judged to be necessary.

Draft	Date	Approved	Date	Rev.	Engineering change number	Name	Date
H. Wurm	12.06.2015	T. Scheuerlein	18.02.2019	a00	19-s062	S. Doerr	18.02.2019