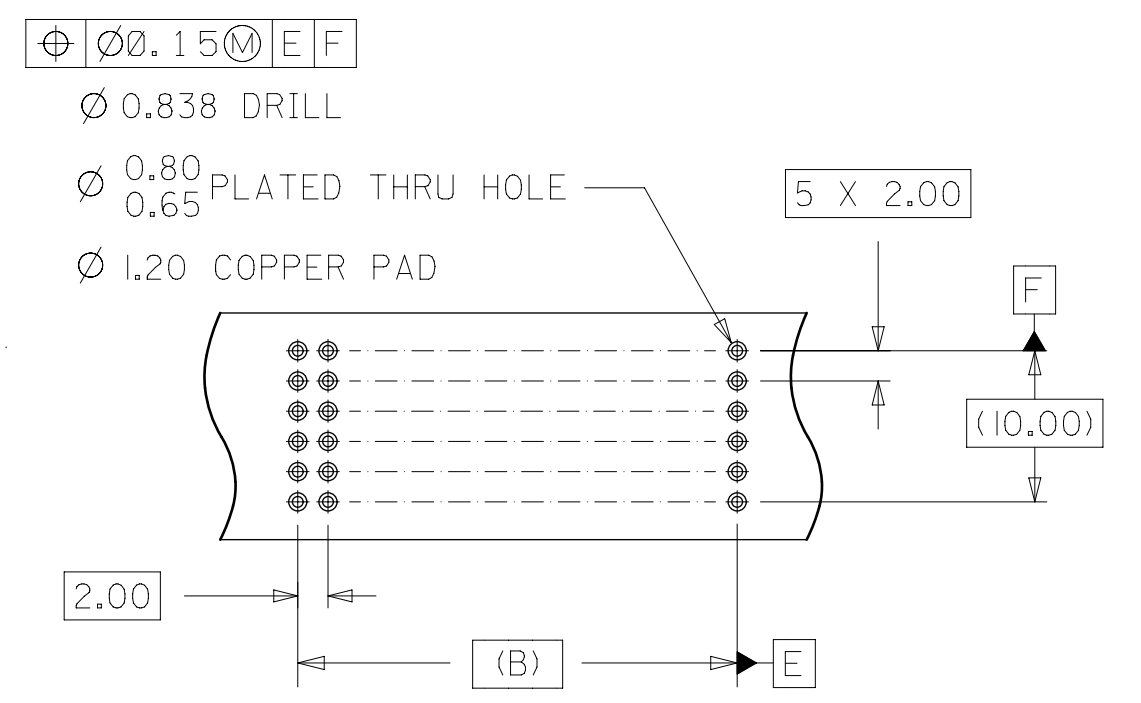
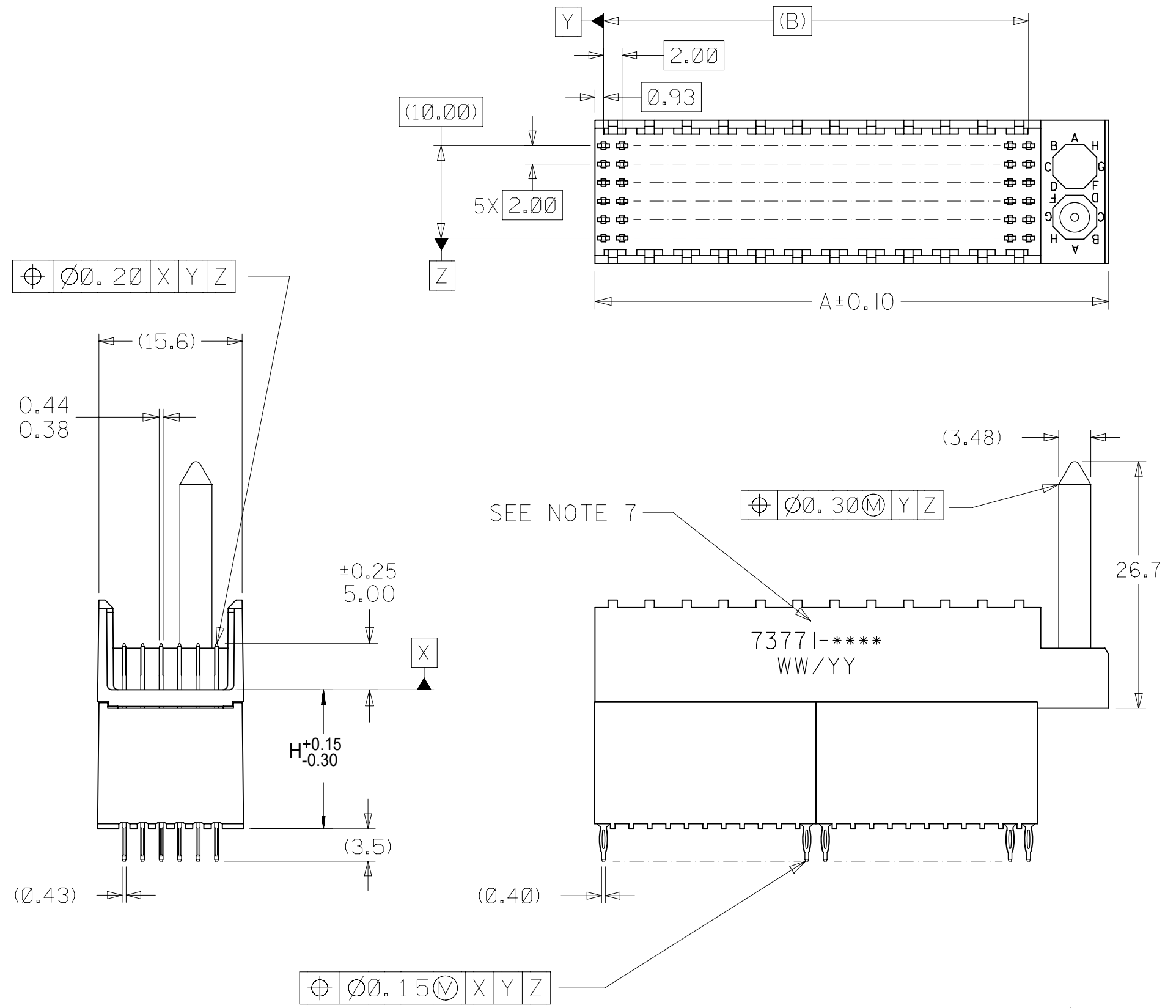


ASSEMBLY P/N	TOTAL NUMBER OF SIGNAL CONTACTS	DIM "A"	DIM "B"	DIM "H"
73771-02**	72	31.6	22.00	6.05
73771-03**	72	31.6	22.00	10.05
73771-11**	144	55.6	46.00	15.05
73771-12**	144	55.6	46.00	6.05
73771-13**	144	55.6	46.00	10.05



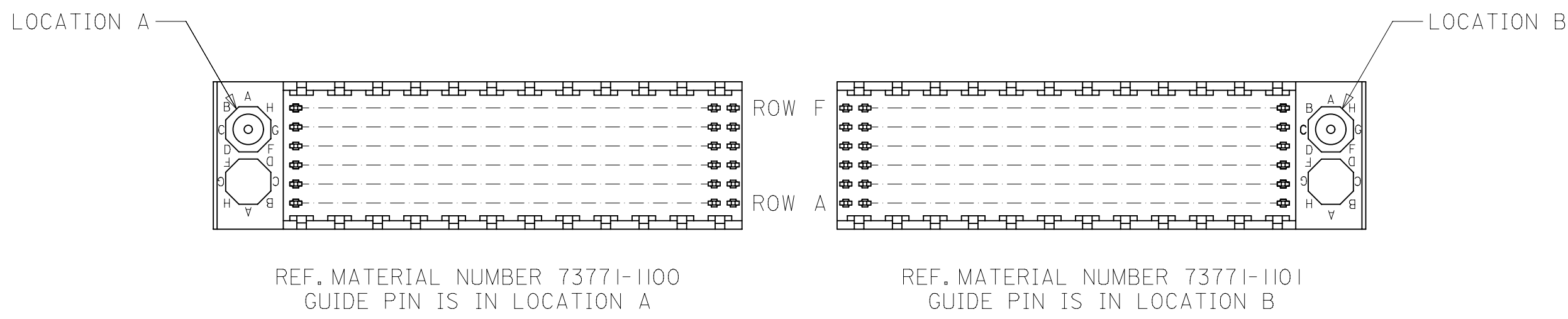
BACKPLANE HOLE PATTERN

PRE-RELEASE  
REFERENCE  
USE ONLY

NOTES:

1. MATERIALS: HOUSING-LIQUID CRYSTAL POLYMER (LCP), GLASS FILLED, UL 94V-0, COLOR: BLACK, TERMINAL-PHOSPHOR BRONZE
2. FINISH: SELECTIVE GOLD (Au) IN CONTACT AREA, 0.00076 mm MINIMUM THICKNESS: SELECTIVE MATTE TIN (Sn) ON TAILS, NICKEL (Ni) OVERALL.
3. THIS PART CONFORMS TO MOLEX PRODUCT SPECIFICATION PS-73780-999.
4. THIS PART CONFORMS TO COSMETIC SPECIFICATION PS-45499-002 CLASS C.
5. RECOMMENDED PCB THICKNESS: 2.50 MIN.
6. PACKAGE PER PK-70873-0870, PK-70873-0871 OR PK-70873-0875.
7. PART MARKED WITH PART NUMBER AND DATE CODE APPROXIMATELY WHERE SHOWN.

THIS DRAWING CONTAINS INFORMATION THAT IS PROPRIETARY TO MOLEX ELECTRONIC TECHNOLOGIES, LLC AND SHOULD NOT BE USED WITHOUT WRITTEN PERMISSION															
DIMENSION UNITS		SCALE		CURRENT REV DESC: REMOVED OBSOLETE PART NUMBER AS PER PCN#511698.											
mm		2:1													
GENERAL TOLERANCES (UNLESS SPECIFIED)				EC NO: 742551				SALES ASSEMBLY HDM BACKPLANE STACKING MOD CLOSED END OPT PRESSFIT							
				DRWN: SANTHN 2023/03/30											
4 PLACES ±				CHK'D: GGA 2023/05/12				PRODUCT CUSTOMER DRAWING							
3 PLACES ±				APPR: GGA 2023/05/12											
2 PLACES ± 0.05				INITIAL REVISION:				DOCUMENT NUMBER <b>SD-73771-001</b>							
1 PLACE ± 0.1				DRWN: JBINHAM 1997/03/07											
0 PLACES ±				APPR: CBIXLER 1997/03/07				DOC TYPE		DOC PART		REVISION			
ANGULAR TOL ± 0.5°				THIRD ANGLE PROJECTION		DRAWING		SERIES		MATERIAL NUMBER		CUSTOMER		SHEET NUMBER	
DRAFT WHERE APPLICABLE MUST REMAIN WITHIN DIMENSIONS				C-SIZE		73771		SEE TABLE		GENERAL MARKET		1 OF 2			



MATERIAL NUMBER ASSIGNMENT

73771- \* \* \* \*

0 = 72-CIRCUIT  
1 = 144-CIRCUIT

1 = 15.05 STACKING HEIGHT  
2 = 6.05 STACKING HEIGHT  
3 = 10.05 STACKING HEIGHT

NUMBER	GUIDE POST LOCATION
00	A
01	B
02	N/A

PRE-RELEASE  
REFERENCE  
USE ONLY

THIS DRAWING CONTAINS INFORMATION THAT IS PROPRIETARY TO MOLEX ELECTRONIC TECHNOLOGIES, LLC AND SHOULD NOT BE USED WITHOUT WRITTEN PERMISSION									
DIMENSION UNITS <b>mm</b>		SCALE <b>1:1</b>		CURRENT REV DESC: REMOVED OBSOLETE PART NUMBER AS PER PCN#511698.				<b>molex</b>	
GENERAL TOLERANCES (UNLESS SPECIFIED)				EC NO: 742551		SALES ASSEMBLY HDM BACKPLANE STACKING MOD CLOSED END OPT PRESSFIT			
4 PLACES ±		±		DRWN: SANTHN		2023/03/30		PRODUCT CUSTOMER DRAWING	
3 PLACES ±		±		CHK'D: GGA		2023/05/12			
2 PLACES ±		0.05 ±		APPR: GGA		2023/05/12		DOCUMENT NUMBER <b>SD-73771-001</b>	
1 PLACE ±		0.1 ±		INITIAL REVISION:		DOC TYPE <b>PSD</b>			
0 PLACES ±		±		DRWN: JBINGHAM		1997/03/07		REVISION <b>J</b>	
ANGULAR TOL ±		0.5 °		APPR: CBIXLER		1997/03/07		MATERIAL NUMBER SEE TABLE	
DRAFT WHERE APPLICABLE MUST REMAIN WITHIN DIMENSIONS		THIRD ANGLE PROJECTION		DRAWING <b>C-SIZE</b>		SERIES <b>73771</b>		CUSTOMER GENERAL MARKET	
DOCUMENT STATUS <b>P1</b>		RELEASE DATE 2023/05/12 06:17:04		SHEET NUMBER <b>2 OF 2</b>					