

THIS DRAWING IS UNPUBLISHED.

RELEASED FOR PUBLICATION NOV , 2005.

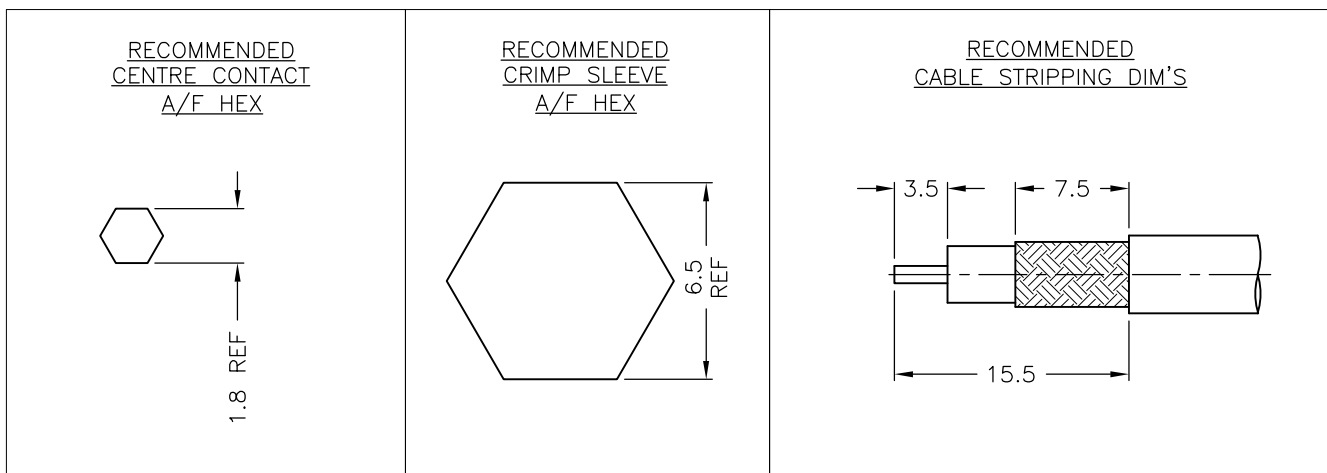
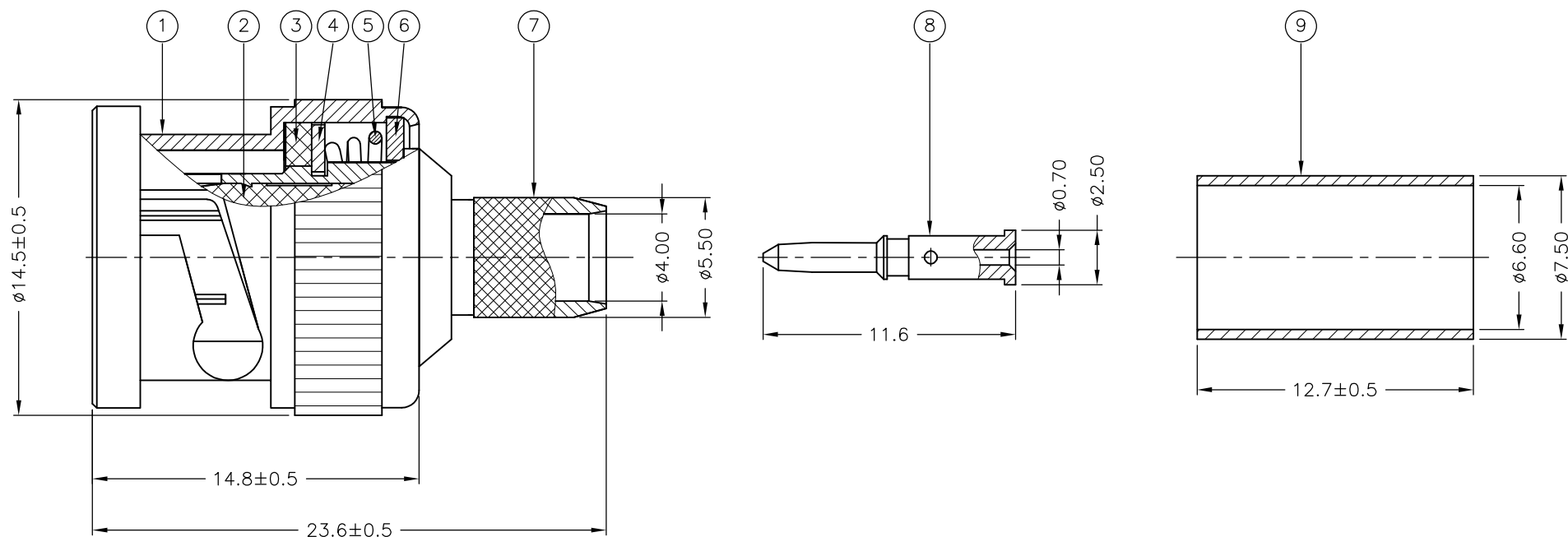
© COPYRIGHT 2005 By -

ALL RIGHTS RESERVED.

LOC	DIST	REVISIONS					
E	B	P	LTR	DESCRIPTION	DATE	DWN	APVD
		D		ECR-14-012651	04SEP2014	RZ	MY

NOTES:

- ① SINGLE PACKING: ONE CONNECTOR PER LABELED BAG PACKAGED. LABELED PER TEC-107-115
- ② TRAY PACKAGED
- ③ Ag PLATING
- ④ Zn PLATING
- ⑤ THIS ITEM MUST BE WHITE
- 6 HAND TOOL : 9-1478240-0
- 7 DIE SET : 9-1478242-0
- 8 ELECTRICAL CHARACTERISTICS
 FREQUENCY RANGE: DC - 2 GHz
 NOMINAL IMPEDANCE: 75 Ohm
 INSULATION RESISTANCE: 5000 MOhm
 WORKING VOLTAGE: 500 Volts RMS at Sea Level
 DIELECTRIC WITHSTAND VOLTAGE: 1500 Volts RMS Max
 CONTACT RESISTANCE:
 CENTER CONTACT: 1.50 mOhm Max
 OUTER CONTACT: 1.00 mOhm Max
 VSWR @ 2GHz: 1.20:1 Max
 INSERTION LOSS dB @ 2 GHz: 0.20 Max
- 9 MECHANICAL CHARACTERISTICS
 COUPLING RETENTION FORCE: 266 N Min
 CABLE RETENTION FORCE: 170 N Min
 DURABILITY: 500 Cycles Min
- 10 ENVIRONMENTAL CHARACTERISTICS
 OPERATING TEMPERATURE: -65 to +165 DegC



QTY	QTY	MATERIAL	PLC	DESCRIPTION	ITEM
1	1	BRASS	③	FERRULE	9
1	1	BRASS	③	CONTACT	8
1	1	BRASS	③	BODY	7
1	1	SK5	③	WASHER	6
1	1	SPRING STEEL	④	SPRING	5
1	1	SK5	③	WASHER	4
1	1	SILICON RUBBER	⑤	GASKET	3
1	1	PTFE		DIELECTRIC	2
1	1	BRASS	③	COLLAR	1
6--0	1--0	MATERIAL		DESCRIPTION	ITEM

THIS DRAWING IS A CONTROLLED DOCUMENT.		DWN J.SANDWELL 22NOV05	TE Connectivity NAME BNC STRAIGHT PLUG CRIMP 75 OHM RG59B/U, 62A/U, 140/U, 210/U, URM90, KX6A, KX25, KX52, KX53			
DIMENSIONS: mm		CHK S.PARLOW 22NOV05				
TOLERANCES UNLESS OTHERWISE SPECIFIED:		APVD F.WHEELER-KING 22NOV05				
0 PLC ± - 1 PLC ± 0.2 2 PLC ± 0.1 3 PLC ± - 4 PLC ± - ANGLES ± -		PRODUCT SPEC 108-112000				
MATERIAL SEE TABLE	FINISH -	APPLICATION SPEC 411-3247	SIZE A3	CAGE CODE 00779	DRAWING NO C-1337429	RESTRICTED TO -
CUSTOMER DRAWING			WEIGHT -	SCALE NTS	SHEET 1 OF 1	REV D