



## IMPACT<sup>®</sup>

### Features and Benefits

- Standard Color – light gray with a high gloss finish
- Best material – bases, opaque covers and clear covers are all made of high-impact, UV resistant polycarbonate
- Easy ordering – One part number equals one completely assembled enclosure
- Super easy use – mounting flanges integral, so no extra hardware needed
- Flexible Interior Mounting – bosses on rear wall and lid of opaque enclosure provide multiple mounting options for din rail, back panels, or other components
- Advanced face plate mounting system – Brand new completely unique and easy
- Secure – Choose your level of protection: pad lockable, tamper screw or tamper tag capable
- Frequency Friendly – Available with absolutely no metals of any kind on the enclosure which is extremely favorable for sending and receiving wireless signals
- UL-50 / c-UL Listed (file # E207562)

Our Impact<sup>®</sup> Line enclosures are the most versatile, feature packed, aesthetically pleasing, NEMA UL rated, non-metallic enclosures available. Features like extremely durable, UV resistant, wide temperature range, easy to machine, lighter than other non-metallic or metal materials, the “Made in USA” Impact<sup>®</sup> Line enclosures provide great value to any application.



Mechanical and Thermal	Test Spec.	Unit	Impact <sup>®</sup> Line
Instrumented Dart Impact @ 73° F		in/lb.	565
Falling Ball Impact @ 73° F	UL-746	in/lb.	900
Deflection Temperature @ 264 psi	ASTM D648	Deg. F	270
Modulus of Elasticity	ASTM D790	ksi	340
Temperature Range		Deg. F	-40 to 265



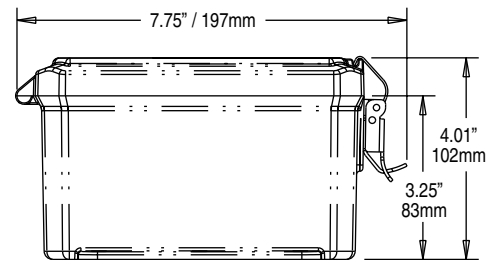
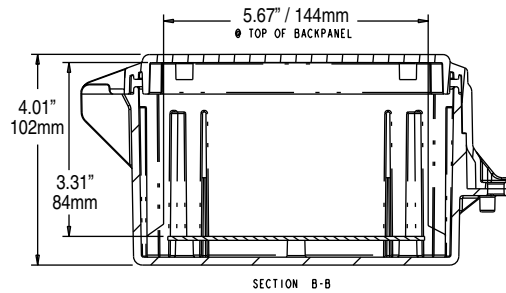
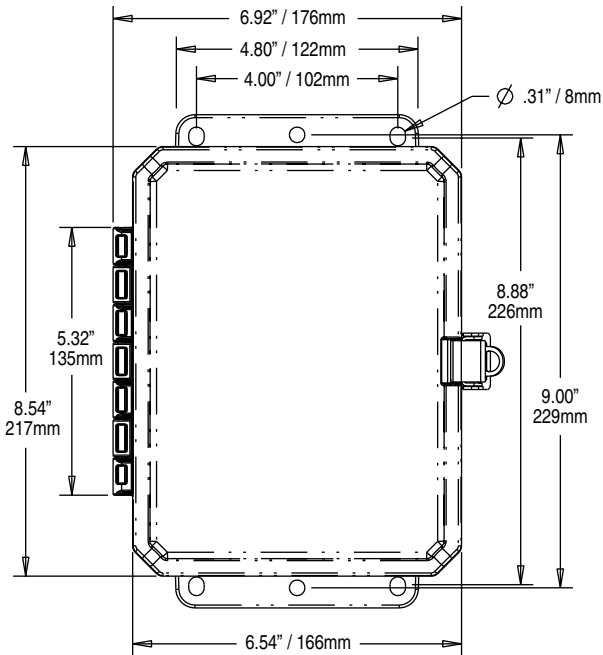
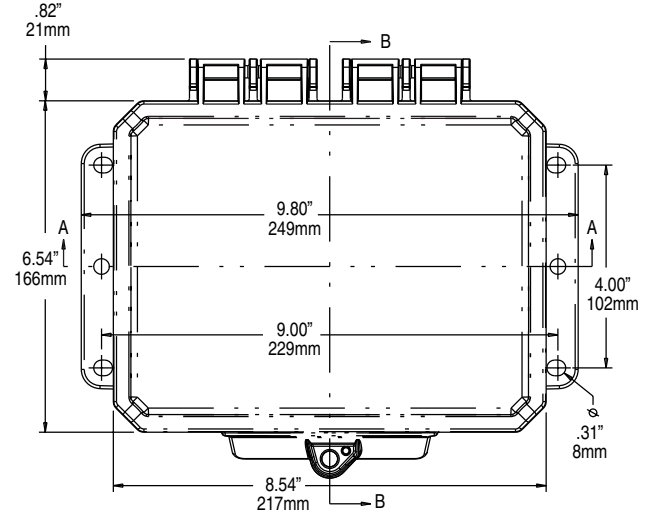
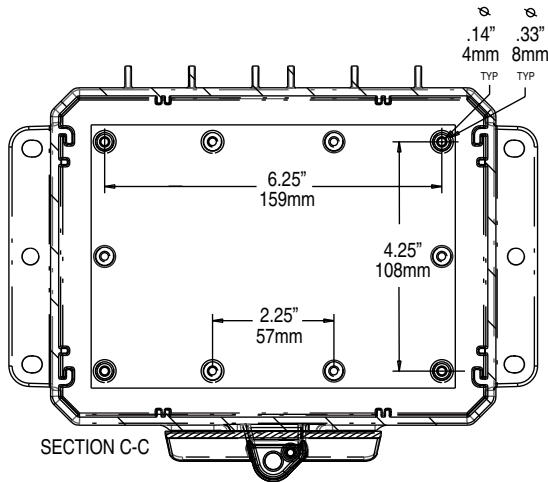
Flammable / UV Ratings	Test Spec.	Unit	Impact <sup>®</sup> Line
Flame Rating - UL	UL 94	-	5VA
Outdoor UV Exposure	UL	-	f1

8063 P/N	4X IP66	6P IP68	Clear Cover	Opaque Cover	Integrated Mounting Flange	Standard Hinge	Low Profile Hinge	Integrated Locking Latch	Stainless Steel Locking Latch	Non-Metallic Locking Latch	Face Plate Mtg System*
P8063	✓	✓		✓	✓	✓		✓			✓
P8063C	✓	✓	✓		✓	✓		✓			✓
P8063LL	✓			✓	✓	✓			✓		✓
P8063CLL	✓		✓		✓	✓			✓		✓
P8063LP	✓	✓		✓	✓		✓	✓			✓
P8063LPC	✓	✓	✓		✓		✓	✓			✓
P8063LPLL	✓			✓	✓		✓		✓		✓
P8063LPCLL	✓		✓		✓		✓		✓		✓
P8063NL	✓			✓	✓	✓				✓	✓
P8063CNL	✓		✓		✓	✓				✓	✓
P8063LPNL	✓			✓	✓		✓			✓	✓
P8063LPCNL	✓		✓		✓		✓			✓	✓

\* Sold separately



# 8X6X3 IMPACT® LINE



Register online to download this drawing off the Integra website at [www.integraenclosures.com](http://www.integraenclosures.com) | Your company's logo or other information on the lid. Consult factory for details.

## Accessories for 8x6x3 Impact® (For complete accessories, see pages 78-81)



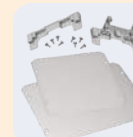
### Back Panels

**ABP86-IMP** - Aluminum panel  
**SBP86-IMP** - Steel panel  
**PVCBP86-IMP** - PVC panel



### Aluminum Swing Out System

**ASWP86-IMP** Aluminum swing panel and SOPK-IMP mounting kit  
**ASWP86-IMP** - Aluminum swing panel only  
**SOPK66/86-IMP** - 2 rigid brackets, 1 pivot bracket & 8 self-tapping screws



### Aluminum Face Plate System

**FPK86-IMP** - Aluminum face plate and SOPK-IMP mounting kit  
**AFP86-IMP** - Aluminum face panel only  
**SOPK66/86-IMP** - 2 rigid brackets, 1 pivot bracket & 8 self-tapping screws



### Air Vents

**VENT 3** - Aluminum louvered  
**VENT 2** - Outdoor labyrinth



### Steel Swing Out System

**SSWP86-IMP** Steel swing panel and SOPK-IMP mounting kit  
**SSWP86-IMP** - Steel swing panel only  
**SOPK66/86-IMP** - 2 rigid brackets, 1 pivot bracket & 8 self-tapping screws



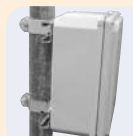
### Steel Face Plate System

**SFPK86-IMP** - Steel face plate and SOPK-IMP mounting kit  
**SFP86-IMP** - Steel face panel only  
**SOPK66/86-IMP** - 2 rigid brackets, 1 pivot bracket & 8 self-tapping screws



### Din Rail

**DIN 6-IMP** - 2 rails, 4 screws



### Pole Mounting Kit

**PMKG-26-IMP** - 2" pole  
**PMKG-36-IMP** - 3" pole  
**PMKG-46-IMP** - 4" pole  
**PMKG-126-IMP** - 12" pole



### Cord Grips

IP68/NEMA 4X/6P rated  
 See page 72 for more details.