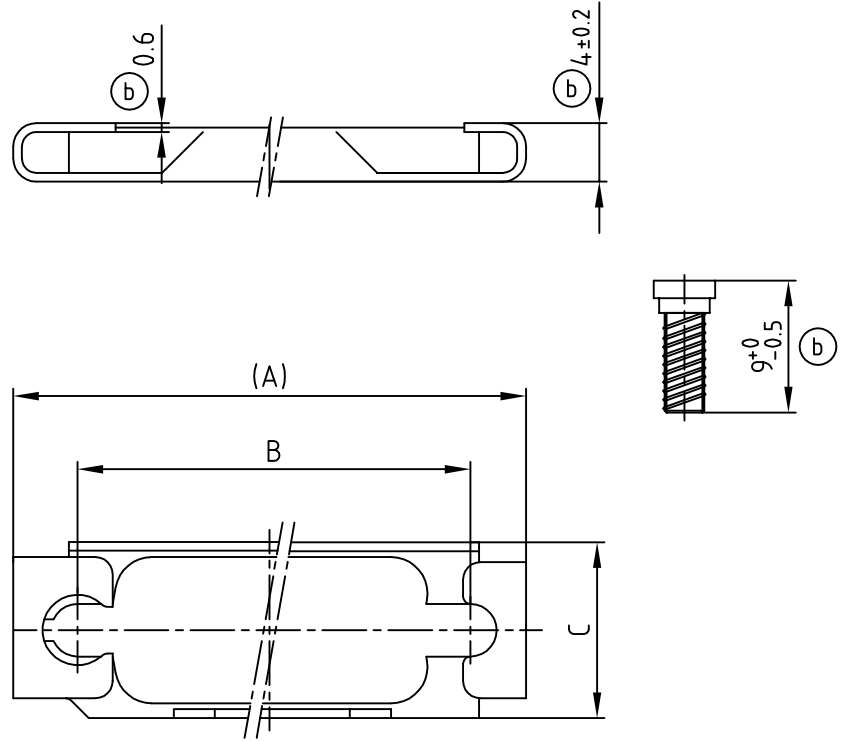


used for: D-SUB



(b) A set consists of:
1 frame
2 screws

(b) Material and plating:
frame - stainless steel
screws; 5-7µ Zn thickfilm passivated

No. of Pos.	(b) A	(b) B	(b) C	Part No.
9	35.0	27.4	12.0	160X10159X
15	43.3	35.7	11.5	160X10169X
25	57.0	49.4	12.0	160X10179X
37	74.4	65.9	12.0	160X10189X
50	72.0	63.5	15.0	160X10199X



THIS DRAWING MAY NOT BE COPIED OR REPRODUCED IN ANY WAY, AND MAY NOT BE PASSED ON TO A THIRD PARTY WITHOUT WRITTEN PERMISSION.
 OWNERSHIP AND COPYRIGHT OF CONEC GmbH
 DO NOT ALTER CAD DRAWING BY HAND

tolerance DIN ISO 2768-m				scale: 2:1	
2002		date		material: SEE NOTES	
drawn		12.03.		name	
appd.		12.03.		Schmidt	
norm				Mickenbecker	
d-old		KAT1X5A		title:	
8 x b		Ä 3055		14.07.2008	
a		Origin		Lehmen.	
rev.		description		date	
				name	



title: Slide-lock Typ 3
 with locking bolt
 9 - 50 pos.
 dwg no: AutoCAD 2000
 DIN-A 4
 sh: 1/1
 part no: SEE TABLE