

Electrical diagram, DIN CONNECTOR with circuit C4 (VDR)

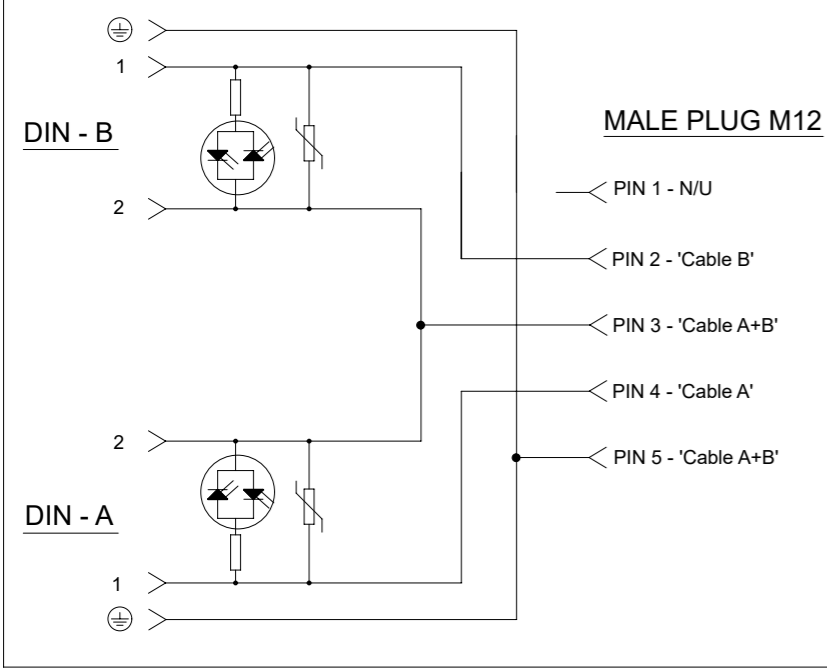
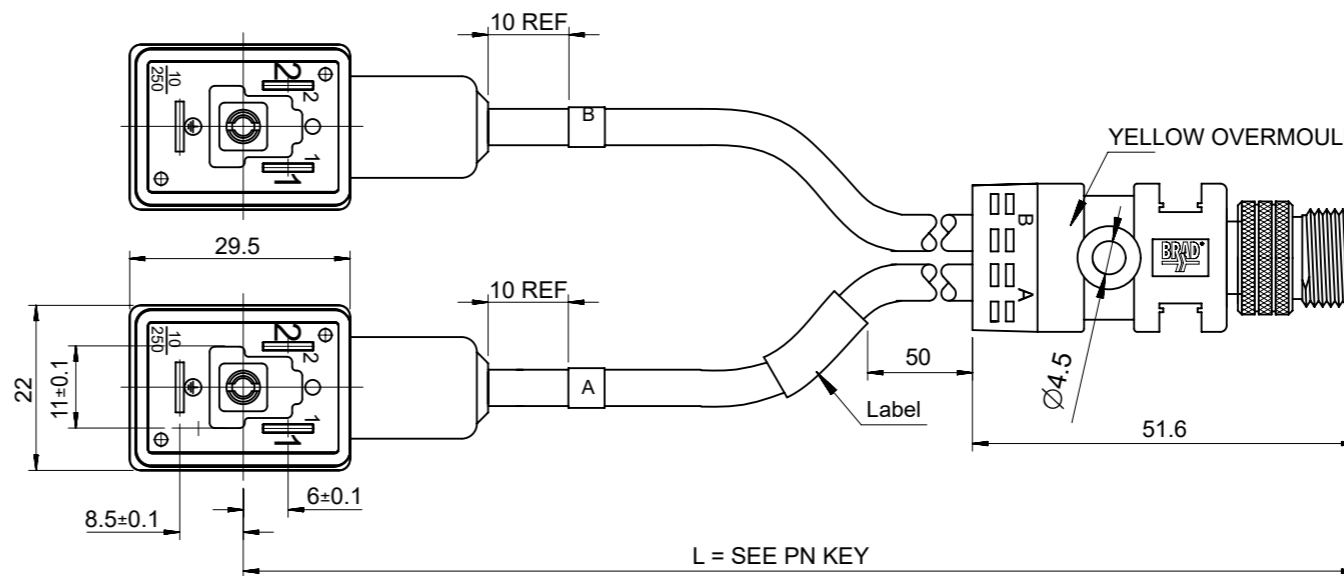
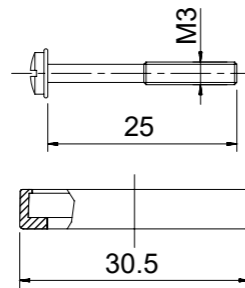


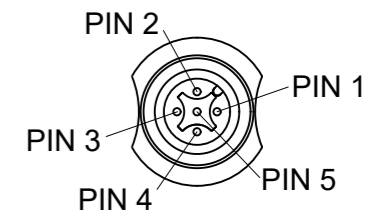
Table of length tolerances

Over	Up to and including	Tolerance (+)
0	305	+19
305	915	+45
915	1830	+56
1830	3660	+89
3660	7320	+165
7320	14640	+317
14640	30500	+610
30500	>	+2% of length

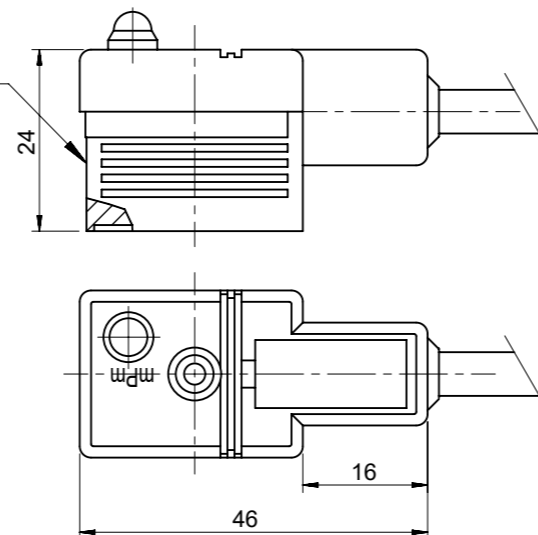
Screw & Gasket
Index of protection: IP 65



M12 - 5 Pole - Male
VIEW FROM FRONT SIDE



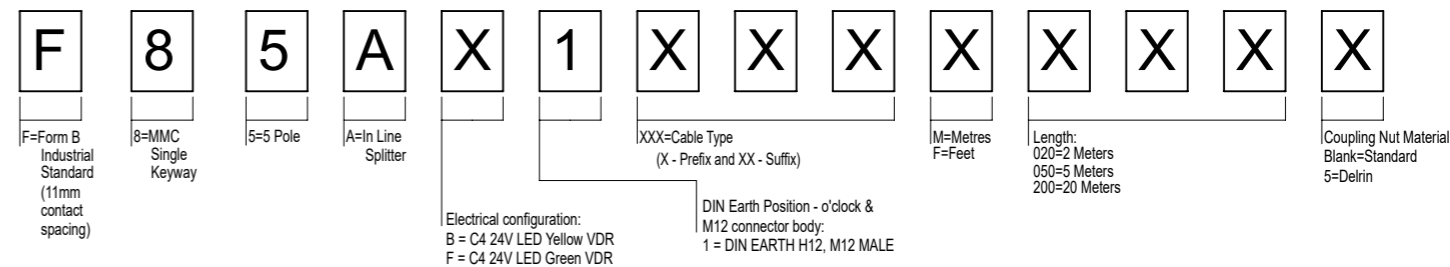
Electrical diagram
printed in white



PN's List

Engineering number	Molex PN	Cable Length [mm]	Cable type
F85AB1I12M040	1210360486	4000	CEI PVC Grey 0.5mm ²
F85AB1E12M0155	1210360535	1500	PVC Black 0.5mm ²
F85AB1P12M010	1210360549	1000	PUR Black 0.5mm ²
F85AB1E12M006	1210360619	600	PVC Black 0.5mm ²
F85AB1P12M006	1210360664	600	PUR Black 0.5mm ²

PART No MATRIX - PN KEY



Notes:

1. Dimensions without tolerance are referential.

THIS DRAWING CONTAINS INFORMATION THAT IS PROPRIETARY TO MOLEX ELECTRONIC TECHNOLOGIES, LLC AND SHOULD NOT BE USED WITHOUT WRITTEN PERMISSION											
DIMENSION UNITS		SCALE		CURRENT REV DESC: OBSOLETE PART NUMBER AS PER PCN 508518							
mm		NTS									
GENERAL TOLERANCES (UNLESS SPECIFIED)											
		MM		INCH		EC NO: 671087		2021/06/03			
4 PLACES		±		±		DRWN: RPRABHUM		2021/08/06			
3 PLACES		±		±		CHK'D: GGA		2021/08/06			
2 PLACES		±		±		APPR: GGA		2021/08/06			
1 PLACE		±		±		INITIAL REVISION:					
0 PLACES		±		±		DRWN: JMARSZALEK		2013/07/12		DOCUMENT NUMBER	
ANGULAR TOL		± °		± °		APPR: MIWASIECZKO		2014/01/30		SD-121036-010	
DRAFT WHERE APPLICABLE MUST REMAIN WITHIN DIMENSIONS				THIRD ANGLE PROJECTION		DRAWING		SERIES		MATERIAL NUMBER	
						A3-SIZE		121036		SEE PN KEY	
						GENERAL MARKET				SHEET NUMBER	
										1 OF 1	