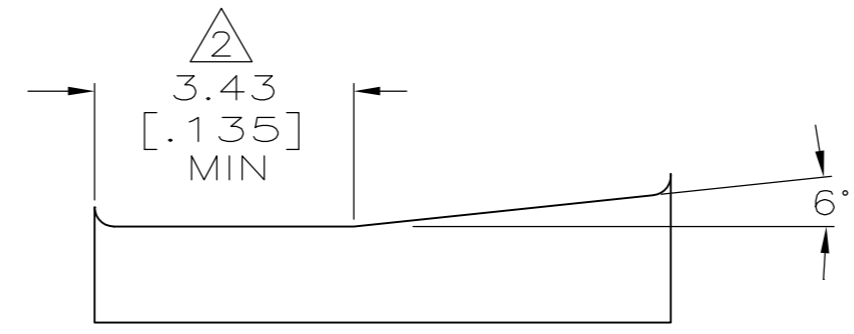
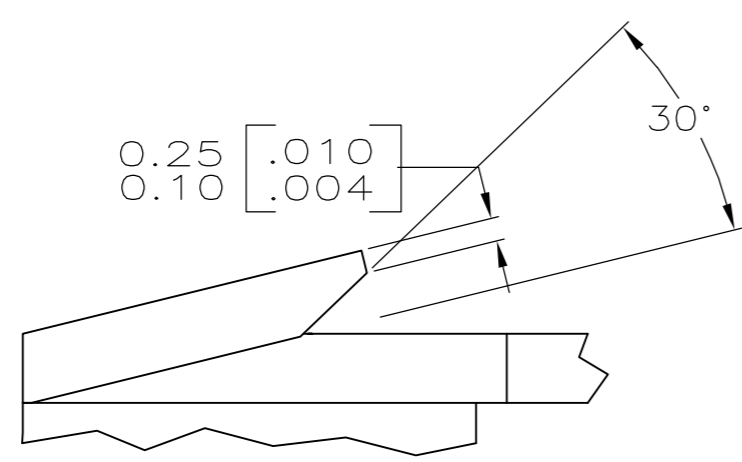
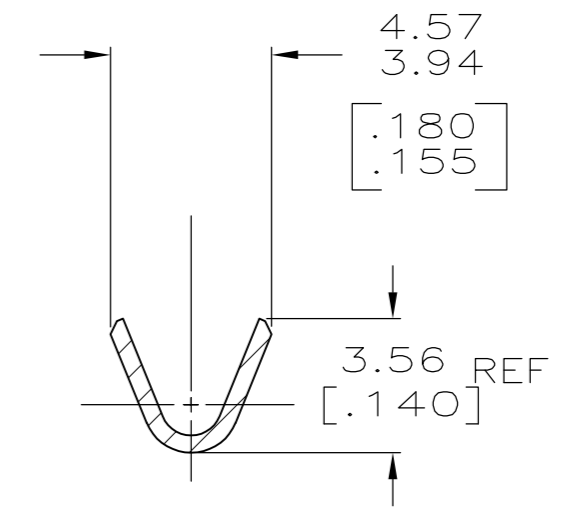
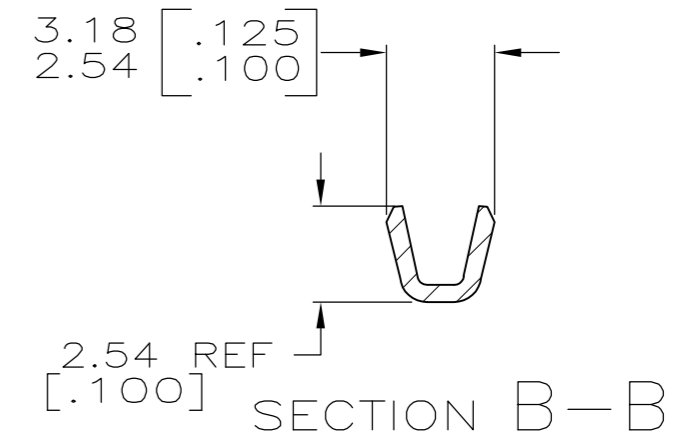
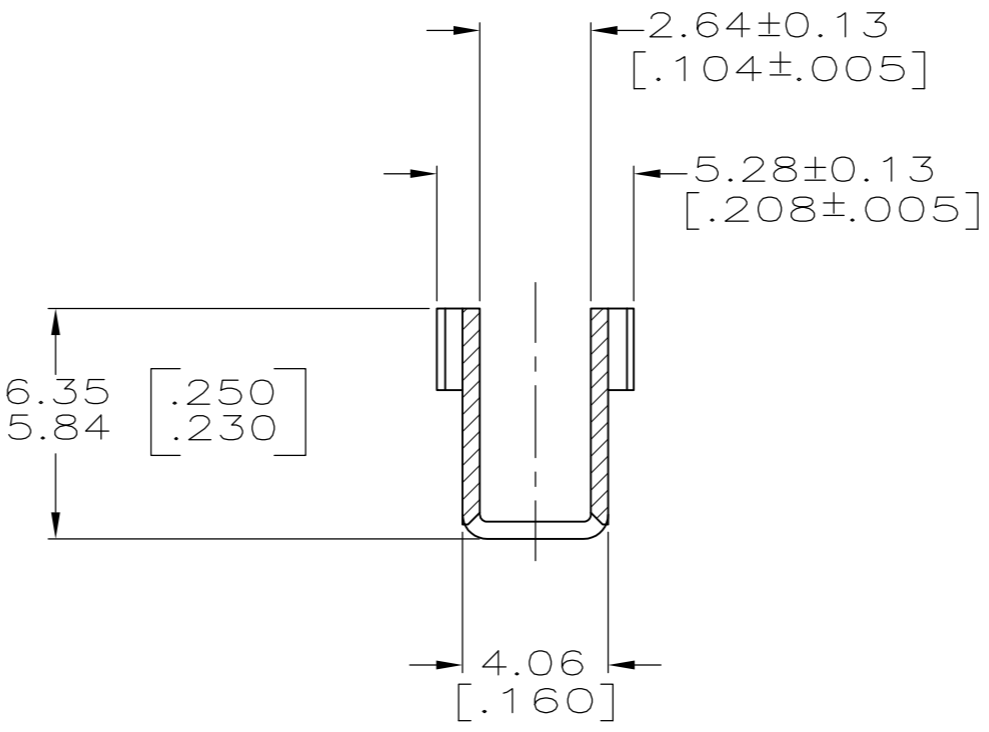
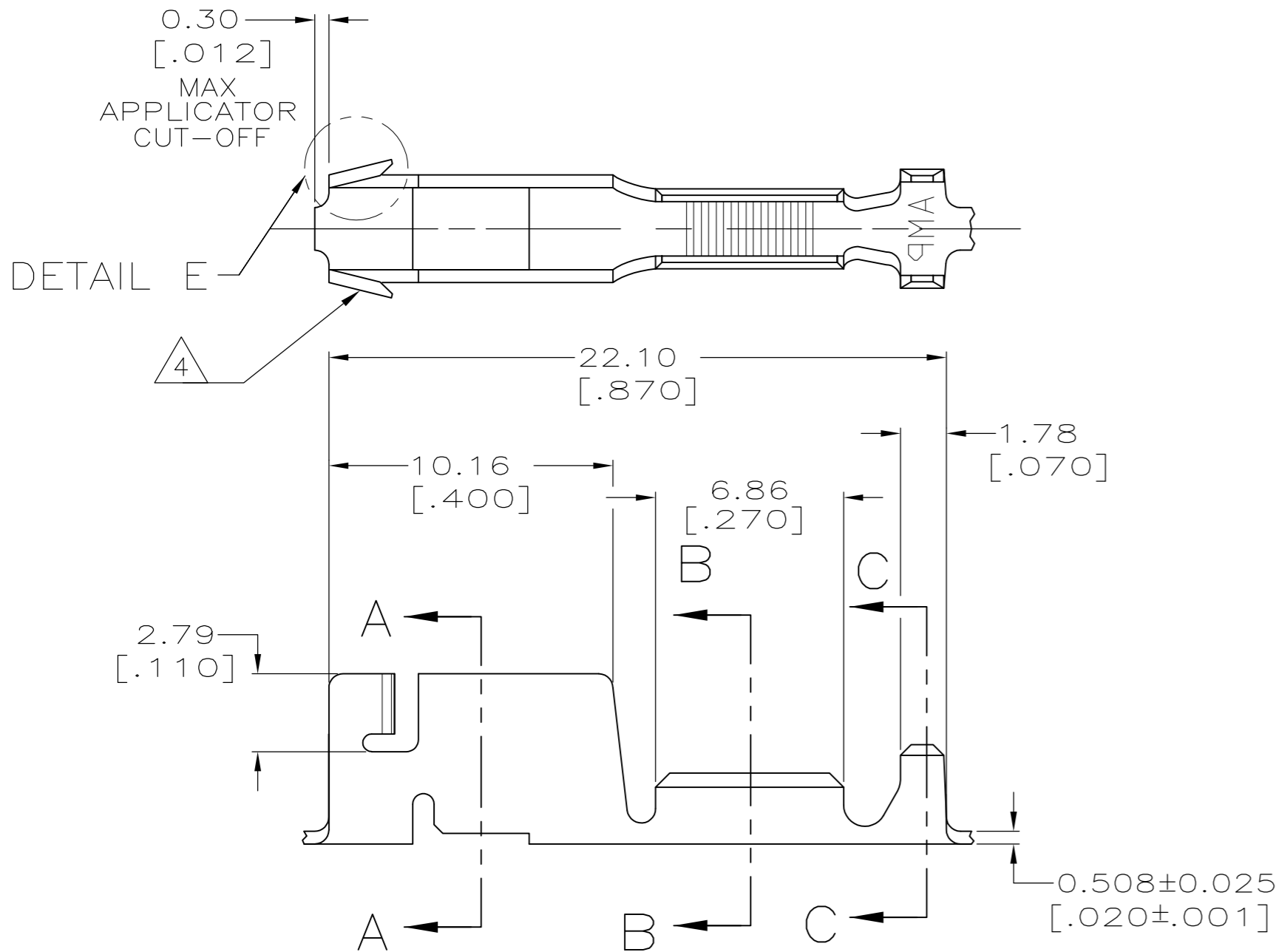


THIS DRAWING IS UNPUBLISHED. RELEASED FOR PUBLICATION  
 © COPYRIGHT - By - ALL RIGHTS RESERVED.

LOC	DIST	REVISIONS			
P	LTR	DESCRIPTION	DATE	DWN	APVD
AF	50				
		D	REVISED PER ECR-14-006300	28AUG2014	MKD/RRP



- 1 CONTINUOUS STRIP ON REELS WITH TERMINALS LOCATED ON 23.75 [.935] CENTERS.
- 2 MEASURE CRIMP HEIGHT IN THIS AREA.
- 3 FORMULA TO CALCULATE CRIMP HEIGHT:  

$$X = \frac{Y + 6900}{151900}$$

$$Y = \text{CMA}$$

$$X = \text{CRIMP HEIGHT}$$
- 4 HIGH RETENTION FEATURE.

DETAIL E  
SCALE 20:1

CRIMP CONFIGURATION

1.52-2.54 DIA [.060-.100]	400-1600 CMA	1217670-1
INSULATION RANGE	WIRE RANGE	PART NUMBER

THIS DRAWING IS A CONTROLLED DOCUMENT.		DWN	JR RUTH	05JAN00		TE Connectivity		
DIMENSIONS: mm [INCHES]		CHK	PETE DESANTIS	05JAN00		NAME		
TOLERANCES UNLESS OTHERWISE SPECIFIED:		APVD	PETE DESANTIS	05JAN00		PRODUCT SPEC		
0 PLC ± -		APPLICATION SPEC		108-2008				
1 PLC ± -		MATERIAL		WEIGHT			SIZE	
2 PLC ± 0.25 [.010]		H03 TIN-BRASS		-			CAGE CODE	
3 PLC ± -		FINISH		POST TIN			DRAWING NO	
4 PLC ± -		CUSTOMER DRAWING		SCALE 5:1			SHEET 1 of 1	
ANGLES ± -		SCALE		5:1			REV D	
FINISH		SCALE		5:1			REV D	