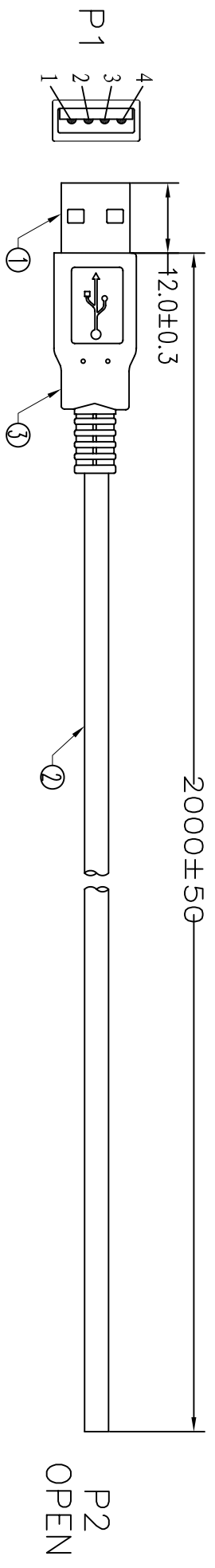
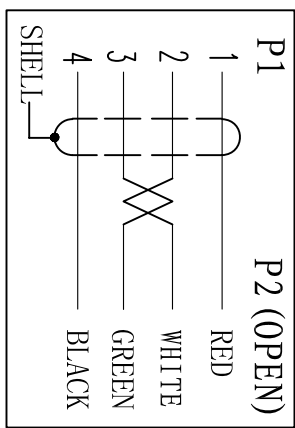


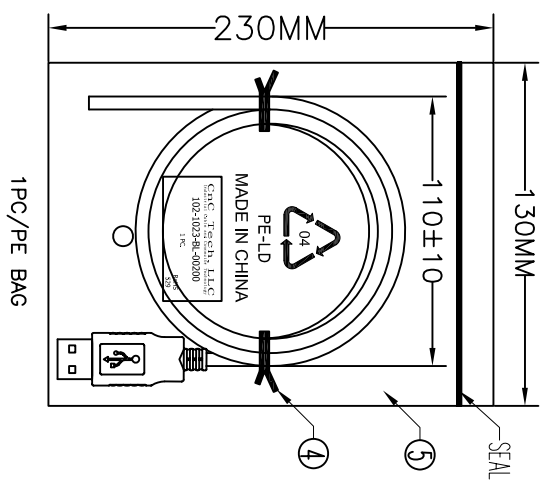
UNIT: mm



PIN ASSIGNMENT:



Electrical test:
 1. 100% short, open, miswire test
 2. Conduct resistance: 2 Ohm(max)
 3. Insulation resistance: 5Mohm(min)
 4. dielectric test: DC 300V



1PC/PE BAG

⑥	PE BAG	1/10	CLEAR SIZE: 280*330*0.05mm	PRINT BLACK	MADE IN CHINA	"10PCS"印生产周期, 有透气孔.
⑤	PE BAG	1	CLEAR SIZE: 130*230*0.05mm	PRINT BLACK	MADE IN CHINA	"1PC"印生产周期, 有透气孔.
④	TIE	2	BLACK L=100mm			
③	OUT JACKET	6g	BLACK PVC-45P (MOULD NO.: WM-40)			
②	CABLE	1	BLACK USB2.0 UL2725 28#/1P+24#/2C+ABR	OD: 4.7mm	L=2000±10	
①	CONN	1	USB A MALE NICKEL PIN G/F 3PCS TYPE			
NO.	NAME	Q'TY	SPECIFICATION			

CABLE WHITE PRINT
 HI-SPEED USB Revision 2.0 SHIELDED 28AWG/1P+24AWG/2C
 E189529 **PA** AWM STYLE 2725 80°C 30V VW-1 VEGA TECH

CNC Tech, LLC			
Industrial Cable and Connector Technology			
DRAWN	ZHONGHS	DRAWING NO	
CHECKED		CUSTOMER	
APPROVAL		ITEM NO.	102-1023-BL-00200
DECIDED		DATE	2012-02-14
VERSIONS/EDITION	A/0	PROJECTION	