

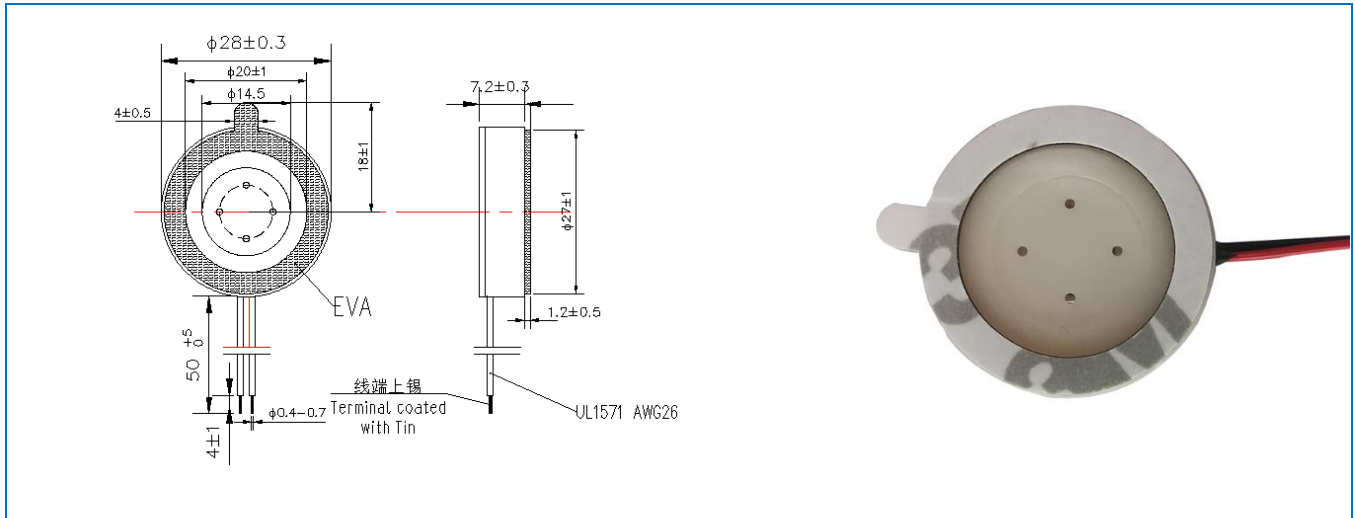
**Model No: NR28150-01W-01**

Rev : 1.0

**Product Description**

With the hearing aid function receiver, frequency response curve smooth, compact, high reliability

**Mechanical Drawing**



**Specifications**

ITEMS	DATA	UNIT	ITEMS	DATA	UNIT
Impedance	150	Ohm	F <sub>0</sub>	/	Hz
Sensitivity	93	dB	Frequency Range	200-4.5K	Hz
THD	5	%	Weight	4.6	g
Rated Power	10	mW	Operating Temp	-20~55	°C
Max Power	20	mW			

**Frequency Response Curve**

