

Distribution Unit with Power Cord and 4 IEC Appliance Outlets F



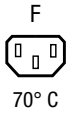
with UK power supply cord



with EU power supply cord



with North American power supply cord



See below:  
[Approvals and Compliances](#)

**Description**

- Stand alone module
- 1 Function :  
of 4 outlets , country specific cable and plug , Pin temperature 70 °C , Protection class I

**Characteristics**

- Suitable for use in equipment according to IEC/UL 62368-1

**Weblinks**

[pdf data sheet](#), [html datasheet](#), [General Product Information](#), [Approvals](#), [Distributor-Stock-Check](#), [Accessories](#), [Detailed request for product](#)

**Technical Data**

|                                   |   |                         |  |
|-----------------------------------|---|-------------------------|--|
| Ratings IEC                       | 10A / 250VAC; 50Hz  | Appliance inlet/-outlet | F acc. to IEC 60320-3  |
| Ratings UL/CSA                    | 15A / 250VAC; 60Hz  |                         | UL 498 CSA C22.2 no. 42 (for cold conditions) pin-temperature 70 °C, 10A, Protection Class I |
| Dielectric Strength               | > 2 kVAC between L-N<br>> 2 kVAC between L/N-PE<br>(1 min/50Hz)   |                         |  |
| Allowable Operation Temperature   | -25 °C to 70 °C   |                         |  |
| Protection against electric shock | Suitable for appliances with protection class I acc. to IEC 61140 |                         |  |
| Material: Housing                 | Thermoplastic, black, UL 94V-0                                    |                         |  |

**Approvals and Compliances**

Detailed information on product approvals, code requirements, usage instructions and detailed test conditions can be looked up in [Details about Approvals](#)

SCHURTER products are designed for use in industrial environments. They have approvals from independent testing bodies according to national and international standards. Products with specific characteristics and requirements such as required in the automotive sector according to IATF 16949, medical technology according to ISO 13485 or in the aerospace industry can be offered exclusively with customer-specific, individual agreements by SCHURTER.

**Product standards**

Product standards that are referenced

| Organization | Design                | Standard         | Description   |
|--------------|-----------------------|------------------|---|
|              | Designed according to | IEC 60320-1      | Appliance couplers for household and similar general purposes         |
|              | Designed according to | IEC 60320-3      | Appliance couplers for household and similar general purposes         |
|              | Designed according to | IEC 61058-1      | Switches for appliances. Part 1. General requirements                 |
|              | Designed according to | UL 498           | Standard for Attachment Plugs and Receptacles                         |
|              | Designed according to | CSA C22.2 no. 42 | General Use Receptacles, Attachment Plugs, and Similar Wiring Devices |





**Application standards**

Application standards where the product can be used

| Organization | Design                         | Standard       | Description   |
|--------------|--------------------------------|----------------|---|
|              | Designed for applications acc. | IEC/UL 62368-1 | Audio/video, information and communication technology equipment - Part 1: Safety requirements |

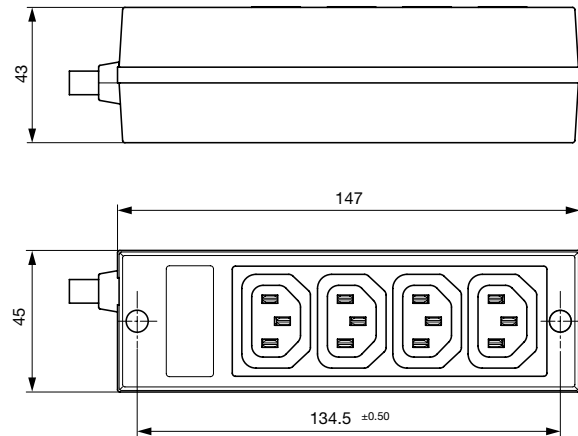
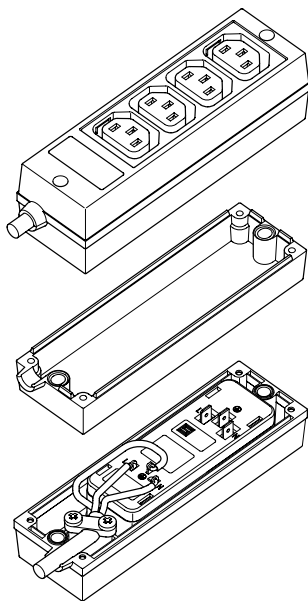
## Compliances

The product complies with following Guide Lines

| Identification   | Details  | Initiator   | Description   |
|--|--|-------------|---|
|  | <a href="#">CE declaration of conformity</a>   | SCHURTER AG | The CE marking declares that the product complies with the applicable requirements laid down in the harmonisation of Community legislation on its affixing in accordance with EU Regulation 765/2008. |
|  | <a href="#">UKCA declaration of conformity</a> | SCHURTER AG | The UKCA marking declares that the product complies with the applicable requirements laid down in the British Amendment of Regulation (EC) 765/2008.  |
| MISSING PICTURE:   | <a href="#">RoHS</a>                           | SCHURTER AG | Directive RoHS 2011/65/EU, Amendment (EU) 2015/863  |
|  | <a href="#">China RoHS</a>                     | SCHURTER AG | The law SJ / T 11363-2006 (China RoHS) has been in force since 1 March 2007. It is similar to the EU directive RoHS.  |
|  | <a href="#">REACH</a>                          | SCHURTER AG | On 1 June 2007, Regulation (EC) No 1907/2006 on the Registration, Evaluation, Authorization and Restriction of Chemicals 1 (abbreviated as "REACH") entered into force.                               |

## Dimensions [mm]

Minibloc 4748 with cable



Mounting holes for 3 mm screws,  
with 2 meter cable and appropriate plug

## All Variants

| Terminal                                  | Version with | Order Number |
|---|--------------|--------------|
| United Kingdom BS 1363 A, 10A             | 2 m cable    | 4748.0300    |
| Continental Europe CEE7/VII (Schuko), 10A | 2 m cable    | 4748.1300    |
| IEC/EN 60320-1/E, 10A                     | 2 m cable    | 4748.2300    |
| North America NEMA 5-15A, 15A             | 2 m cable    | 4748.3300    |

 Most Popular.

Availability for all products can be searched real-time: <https://www.schurter.com/en/Stock-Check/Stock-Check-SCHURTER>

## Packaging unit

10 Pcs

## Mating Inlets/Plugs

### Category / Description

[Plug Overview complete](#)



|  |      |
|--|------|
| 4732, Mounting: Power Cord, Plug: IEC E, Cable | 4732 |
| 4735, Mounting: Power Cord, Plug: IEC E, Cable | 4735 |
| 9009, Mounting: Plug: IEC E, Screw clamps      | 9009 |
| 4733, Mounting: Power Cord, Plug: IEC E, Cable | 4733 |
| 4736, Mounting: Power Cord, Plug: IEC E, Cable | 4736 |

...