

Connector Location A

Connector Location B

Ha-VIS preLink terminal block AWG 24-28

Copper foil

approx. 45

Black overmolded body

IP20 RJ45 DualBoot Cat. 6A, 8-pole

preLink protection cover (closed)

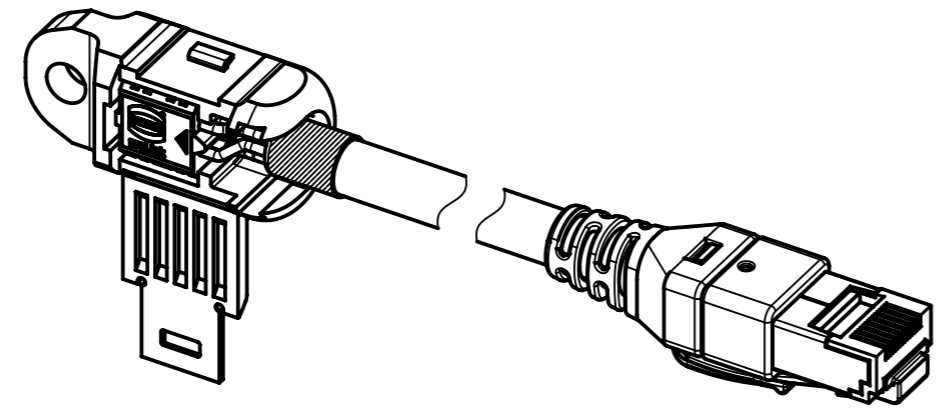
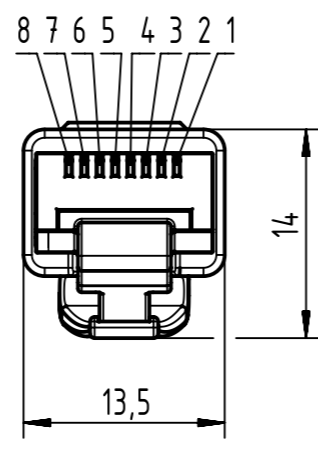
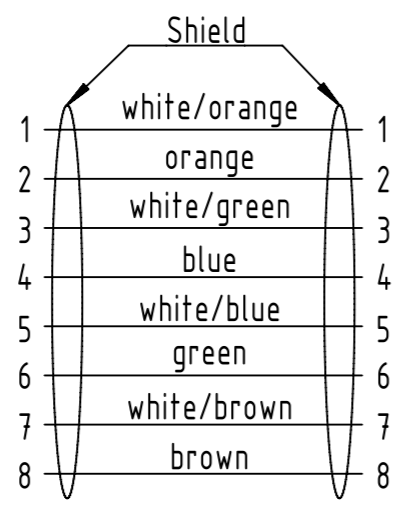
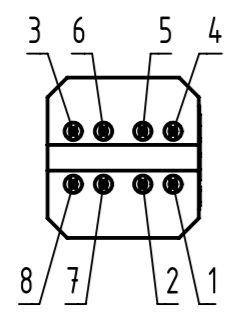
Yellow protection latch

Mating face RJ45 acc. to IEC 60603-7

X (without preLink protection cover)

Loading Plan acc. to TIA/EIA 568B

Y male



20	20826011150		15
19	20826011140		14
18	20826011130		13
17	20826011120		12
16	20826011110		11
15	20826011100		10
14	20826011090		9
13	20826011080		8
12	20826011075		7.5
11	20826011070		7
10	20826011060		6
9	20826011050		5
8	20826011040		4
7	20826011030		3
6	20826011020		2
5	20826011010		1
4	20826011008		0.8
3	20826011006		0.6
2	20826011004		0.4
1	20826011002		0.2
Cont. no.	Part no.	Type of cable	Dim. a[m]

4x2xAWG 26/7, S/FTP, PUR, Cat.7, yellow

- Protection level: IP20
- Temperature range:
 - Fixed installation: -30°C ...+75°C
 - Dynamic installation: -5°C ...+50°C

All rights reserved
 Department HCS - RO
 HARTING Customised Solutions
 D-32339 Espelkamp

Created by BANIUD Banciu
 Title System cable preLink 1x terminal module and RJ45
 Type TB Number 20826011XXX

Inspected by COSTEA Costea
 Standardisation MUNTEANV Muntean
 Date 2019-11-19
 State Final Release

All Dimensions in mm
 Tech. Character.
 Free size tol.
 According to production drawing

Doc-Key / ECM-Nr. 100209762/UGD/002/D 500000160481
 Rev. D Page 1/1