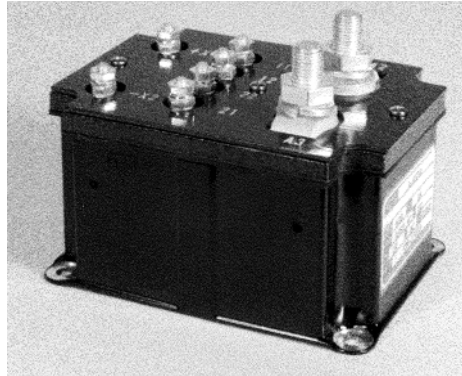


## A-931 Series, Rated up to 600 Amps, 28 Vdc

### Product Facts

- SPST NC, Double break
- Gasket sealed
- Auxiliary contacts available
- Meets many requirements of MIL-PRF-6106



### Performance Data

#### Electrical Characteristics

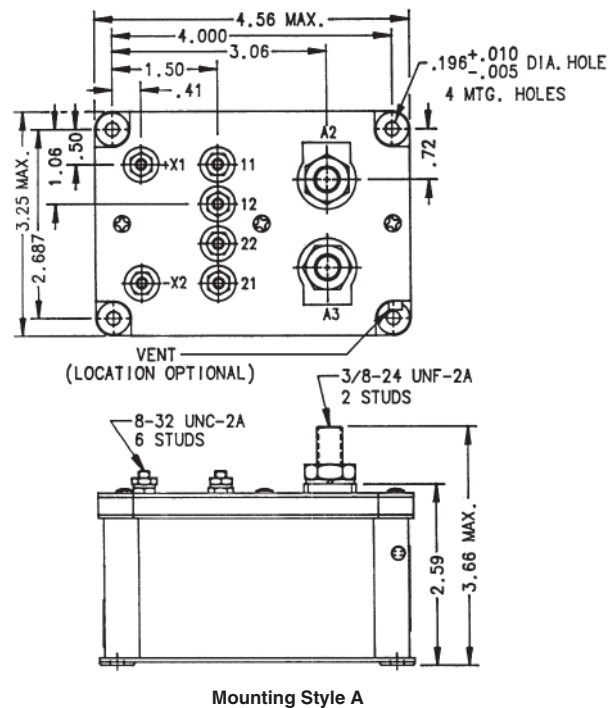
- Main Contacts** —  
 Contact Arrangement — SPST NC, Double Break  
**Rated Operating Voltage** — 28 Vdc  
**Resistive Rating** — 600 Amps  
**Inrush for 30 sec** — 1,000 Amps  
**Inrush for 5 min** — 800 Amps  
**Auxiliary Contacts** —  
**Aux. Contact Arrangement** — DPST  
**Rated Operating Voltage** — 28 Vdc  
**Resistive Rating** — 5 Amps

#### General Characteristics

- Temperature Range** —  
 -55°C to +71°C  
**Operating Cycles (Life) at Rated Resistive Load, Min.** — 50,000 cycles  
**Operating Cycles (Life) Mechanical, Min.** — 100,000 cycles  
**Dielectric Strength** —  
 All Circuits to Ground — 1,250 Vrms  
 Circuit to Circuit — 1,250 Vrms  
 Coil to Ground and Aux. Contacts — 1,000 Vrms  
**Weight, Max.** — 3.00 lbs

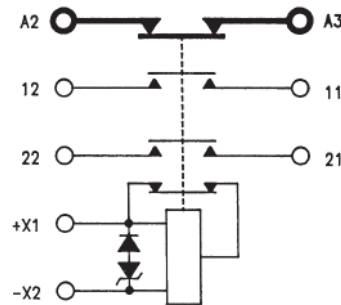
#### Coil Characteristics

- Duty Cycle** — Continuous, economizing  
**Operating Voltage, Max.** — 30 Vdc  
**Operating Voltage, Min.** — 18 Vdc  
**Pickup Voltage, Initial, Max. @ 71°C** — 10 Vdc  
**Dropout Voltage** — 1 to 7 Vdc  
**Resistance, Inrush ± 20% @ 25°C** — 3 Ohm  
**Resistance, Hold ± 20% @ 25°C** — 80 Ohm



Mounting Style A

### Circuit Configurations (Consult factory for other available circuit configurations)



Circuit Configuration 1

For factory-direct application assistance, phone 419-521-9500 or fax 419-526-2749.

HARTMAN Part Number	Construction Type	Mounting Style	Coil Type	Circuit Config.	TE Part Number
A-931F	Gasket/Vented	A	Continuous, Economizing w/Supp.	1	1616060-1