

- UL Class B 130 Insulation System File # E349541
- Designed for Lighting Application

Electrical Specifications @ 25°C

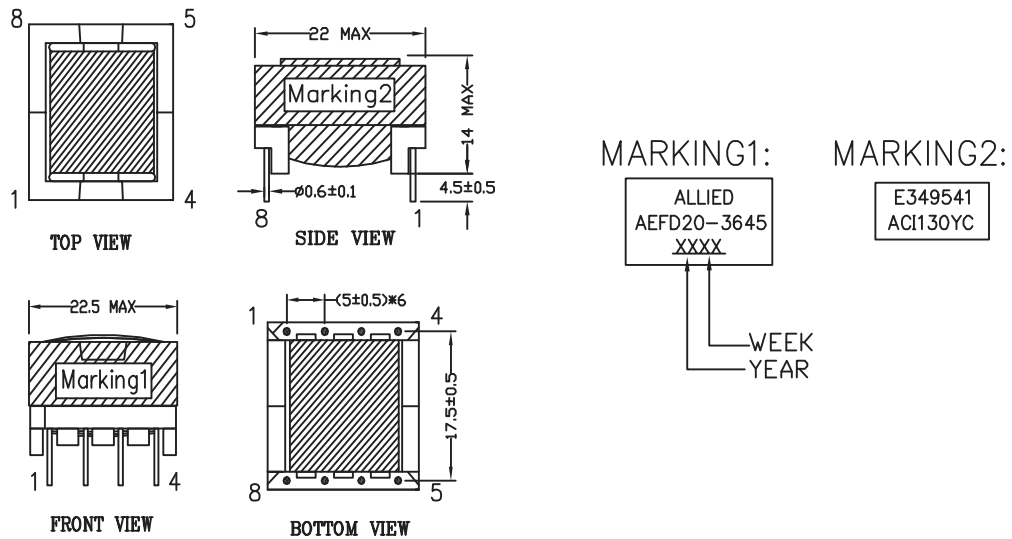
S - F	INDUCTANCE F=65KHZ, 1VRMS 25°C	LEAKAGE INDUCTANCE F=65KHZ,1VRMS,25°C (Short 5,8 pins)	DCR 25°C (MAX)	TURN RATIO
4 - 1	1.8mH±20%	27 uH max	410 mOhm	48Ts
5 - 8	-	-	500 mOhm	48Ts

Hi - Pot / Insulation Resistance

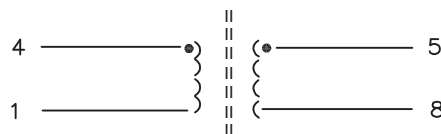
LOCAT. \ DESC.	PRI-PRI	PRI-SEC	SEC-CORE	PRI-CORE	COIL-CORE
HI-POT (50HZ/60HZ)	-	3000V _{AC} 5mA, 2SEC	1000V _{AC} 5mA, 2SEC	1000V _{AC} 5mA, 2SEC	-
INSULATION RESISTANCE	-	500V 100 MOhm min	500V 100 MOhm min	500V 100 MOhm min	-

All specifications subject to change without notice.

MECHANICAL



SCHEMATICS



● Start