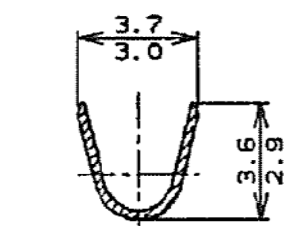
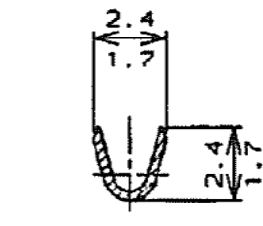
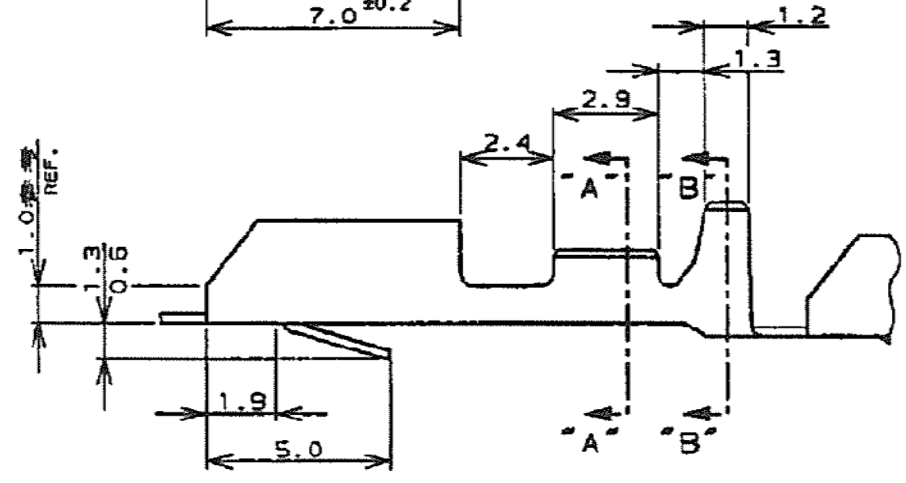
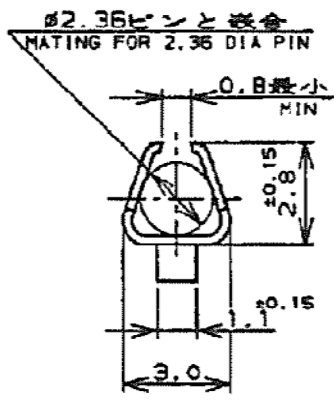
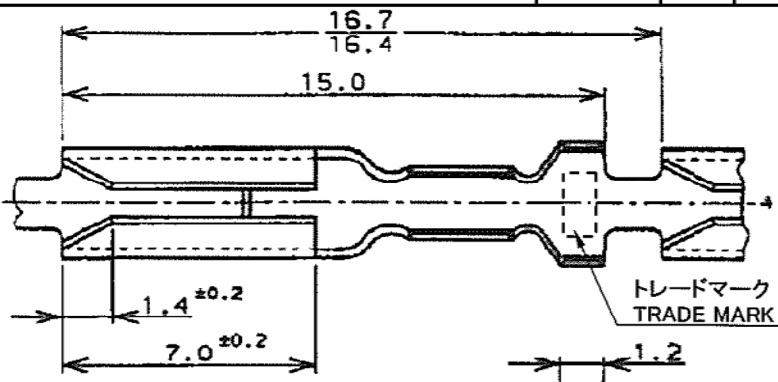


THIS DRAWING IS UNPUBLISHED. ALL RIGHTS RESERVED. © COPYRIGHT 19

REVISONS		変更			
P	LTR	DESCRIPTION	DATE	DWN	APVD
	M2	REVISED PER ECR-17-016303	15NOV2017	BDA	FV
	M3	REVISED PER ECR-19-012286	23SEP2019	PC	TD



断面 "A" - "A" SECT.

断面 "B" - "B" SECT.

OBSOLETE	-	-	4-170073-2
OBSOLETE	黄銅0.25t (BRASS)	170073-7	
OBSOLETE	錫めっき済・磷青銅0.25t (PRE-TIN PHOS. BRONZE)	170073-6	
	錫めっき済・黄銅0.25t (PRE-TIN BRASS)	170073-5	
	錫めっき (POST-TIN) 黄銅0.25t (BRASS)	170073-2	
	仕上 (FINISH) 材料 (MATERIAL)	型番 (PART NO.)	

WIRE RANGE 仕上電線断面積 0.2~0.56mm <sup>2</sup> (AWG#24~#20)	INSULATION DIA 被覆外径 1.2~2.79mm
---	--------------------------------------

**DIMENSIONS:**  
単位 略  
mm

**TOLERANCES UNLESS OTHERWISE SPECIFIED.**

~~長さ 10mm ±0.2~~  
~~30mm ±0.25~~  
~~100mm ±0.3~~  
~~ANGLE ±0.3°~~  
 ±0.25  
 ±1.0°

DWN: *N. Nishino* 4/24/96

CHK: *S. Sugita* 24 APR '96

APVD: *S. Sugita* 25 APR '96

PRODUCT SPEC  
製品規格  
108-5014  
108-5054

APPLICATION SPEC  
取付適用規格

WEIGHT

MATERIAL 表参照 SEE TABLE

FINISH 仕上 表参照 SEE TABLE

**STE** TE Connectivity

NAME 名称  
ø2.36用ピンリセプタクル  
2.36 DIA PIN RECEPTACLE

SIZE A4 CAGE CODE 00779 DRAWING NO. C-170073

CUSTOMER DRAWING

SCALE 尺度 1:5 SHEET 1 OF 1 REV M3

顧客用図面