


RoHS compliant

Unit: mm

Scale	Free					Date	Name	Customer-No.
TOLERANCE						Drawn	17.08.2017	S.Bölling
0~6	±0.10					Approved	17.08.2017	S.Bölling
6~30	±0.20							
30~120	±0.30							
120~400	±0.50							
		1	Update Dimension (page 5)	01.04.2019	M.Rosander			
DIM	Tol	©	Drawn	17.08.2017	S.Bölling			
Angle	±1°							
Angle	Tol	Id.	Modification	Date	Name			

Customer-No.

ASSMANN WSW-No.
ACOV-SUB-09NB18

Drawing-No.
ASS_5259_CO rev01

Replace
 Sheet 1/5

1 2 3 4 5 6 7

Item	QTY	Part description
1	1	Plastic Cover
2	2	EPS 3x8 Self Tapping Screw
3	1	Cable Clamp
4	1	Plastic Insert
5	2	Jackscrews UNC4-40x51mm

TECHNICAL SPECIFICATIONS

Material: Plastic (PA), UL94-HB
 Colour: Green
 Operating Temperature: -55°C to +110°C
 Thumbscrews: UNC 4-40

No. of contacts: 09-15-25-37-50

RoHS compliant
 Unit: mm

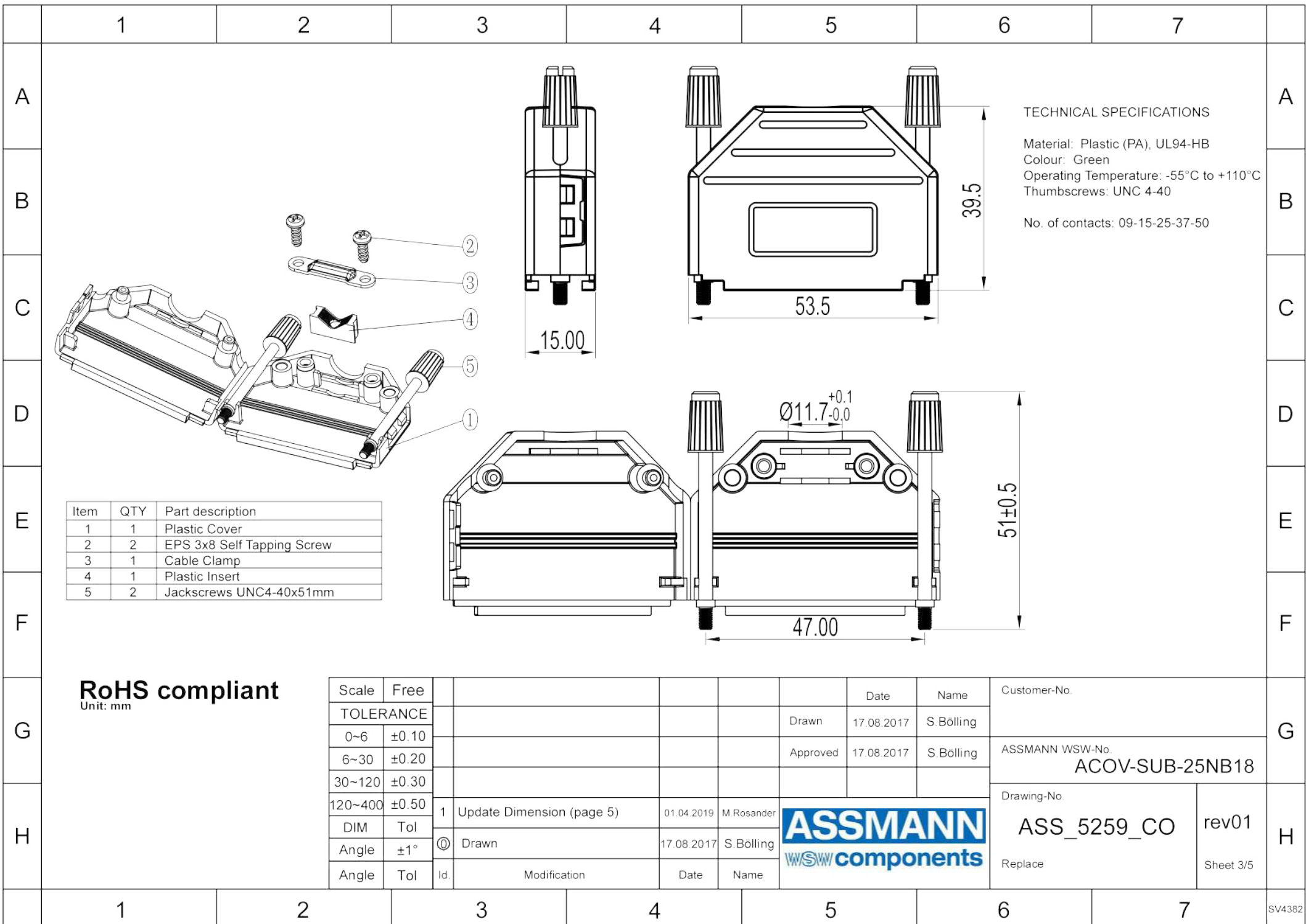
Scale	Free				Date	Name	Customer-No.
TOLERANCE					Drawn	17.08.2017	S. Bölling
0~6	±0.10				Approved	17.08.2017	S. Bölling
6~30	±0.20						
30~120	±0.30						
120~400	±0.50	1	Update Dimension (page 5)	01.04.2019	M. Rosander		
DIM	Tol	Ⓞ	Drawn	17.08.2017	S. Bölling		
Angle	±1°						
Angle	Tol	Id.	Modification	Date	Name		

ASSMANN WSW-No.
ACOV-SUB-15NB18

Drawing-No.
ASS_5259_CO rev01
 Replace Sheet 2/5

1 2 3 4 5 6 7

SV4382



1

2

3

4

5

6

7

A

A

B

B

C

C

D

D

E

E

F

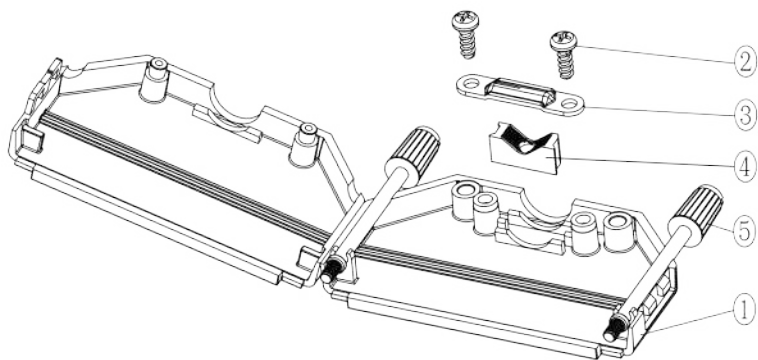
F

G

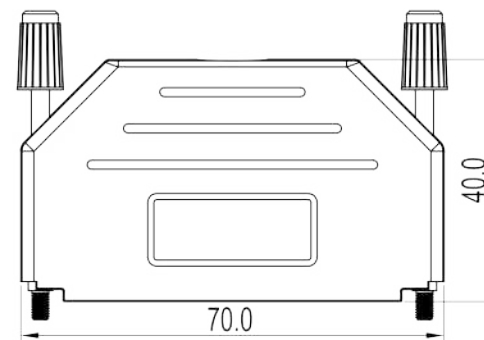
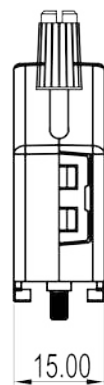
G

H

H



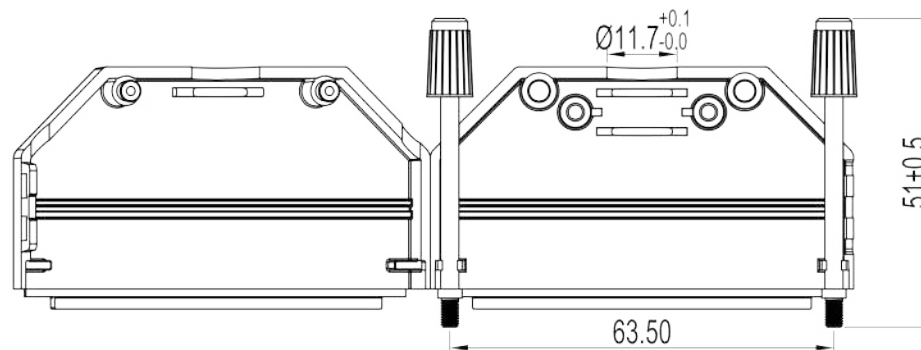
Item	QTY	Part description
1	1	Plastic Cover
2	2	EPS 3x8 Self Tapping Screw
3	1	Cable Clamp
4	1	Plastic Insert
5	2	Jackscrews UNC4-40x51mm



TECHNICAL SPECIFICATIONS

Material: Plastic (PA), UL94-HB
 Colour: Green
 Operating Temperature: -55°C to +110°C
 Thumbscrews: UNC 4-40

No. of contacts: 09-15-25-37-50



RoHS compliant
 Unit: mm

Scale	Free				Date	Name	Customer-No.
TOLERANCE					Drawn	17.08.2017	S. Bölling
0~6	±0.10				Approved	17.08.2017	S. Bölling
6~30	±0.20						
30~120	±0.30						
120~400	±0.50	1	Update Dimension (page 5)	01.04.2019	M. Rosander		
DIM	Tol	Ⓞ	Drawn	17.08.2017	S. Bölling		
Angle	±1°						
Angle	Tol	Id.	Modification	Date	Name		

ASSMANN
 WSW components

ASSMANN WSW-No.
ACOV-SUB-37NB18

Drawing-No.
ASS_5259_CO rev01

Replace
 Sheet 4/5

1

2

3

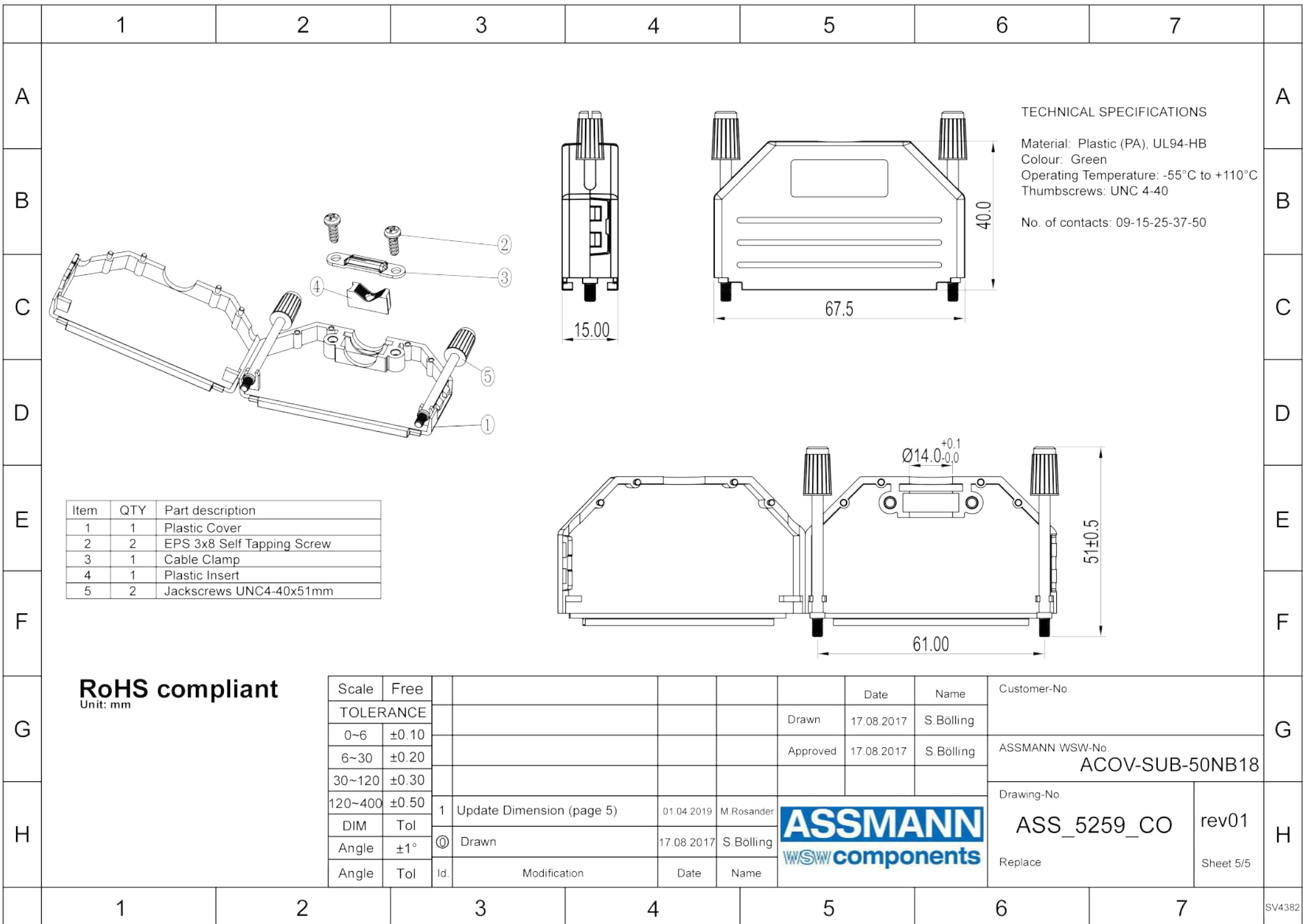
4

5

6

7

SV4382



RoHS compliant
 Unit: mm

Scale	Free					Date	Name	Customer-No.
TOLERANCE						Drawn	17.08.2017	S. Bölling
0~6	±0.10					Approved	17.08.2017	S. Bölling
6~30	±0.20							
30~120	±0.30							
120~400	±0.50	1	Update Dimension (page 5)	01.04.2019	M. Rosander			
DIM	Tol	Ⓞ	Drawn	17.08.2017	S. Bölling			
Angle	±1°							
Angle	Tol	Id.	Modification	Date	Name			

ASSMANN WSW-No. ACOV-SUB-50NB18	
Drawing-No. ASS_5259_CO	rev01
Replace	Sheet 5/5