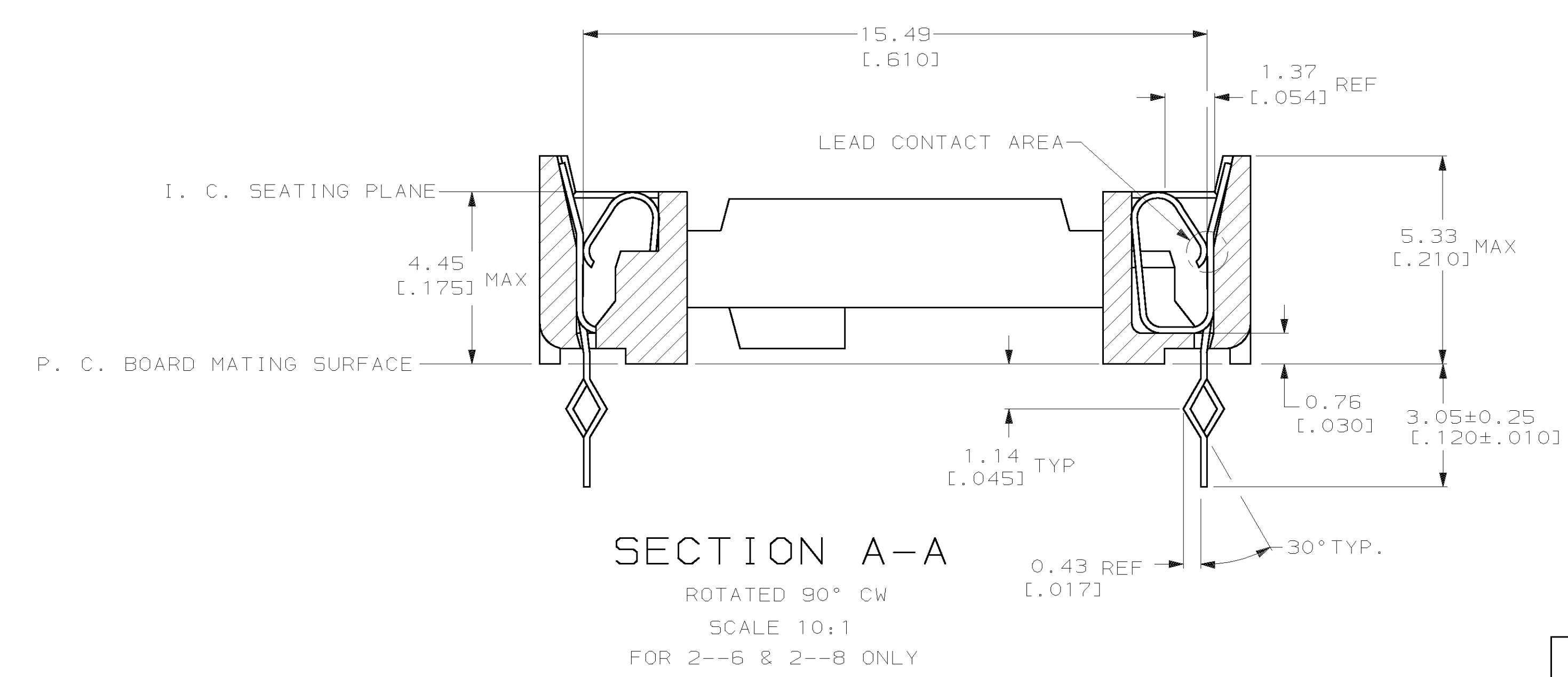
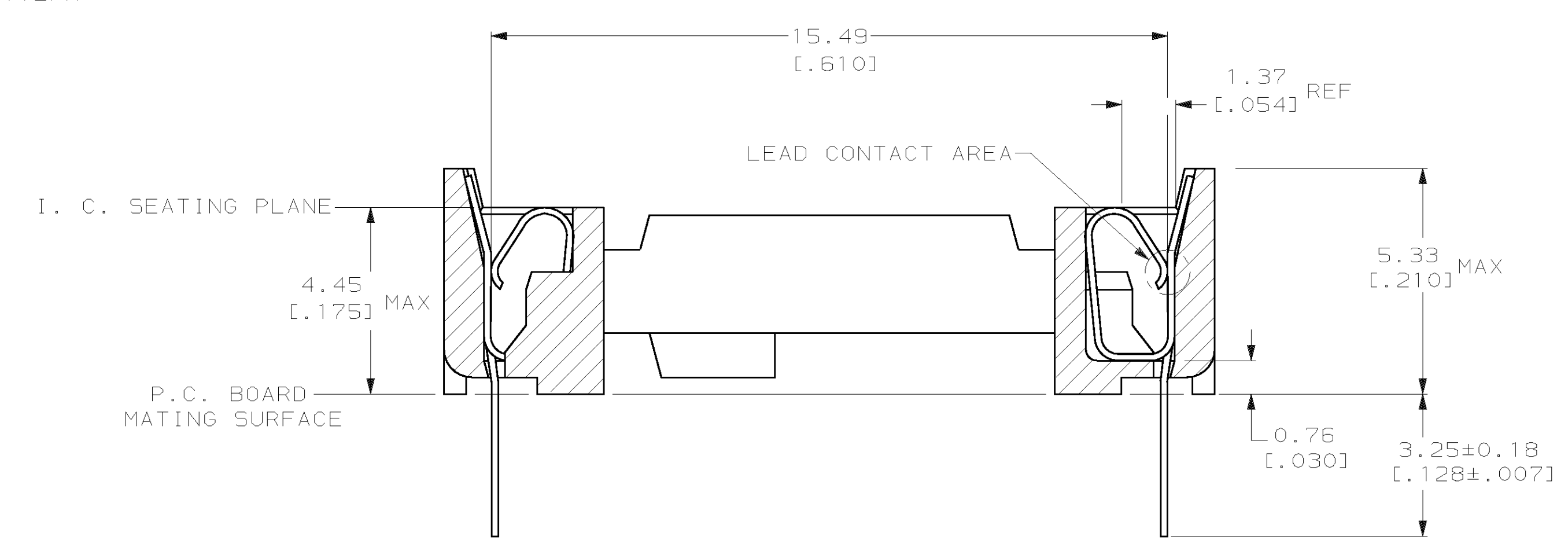
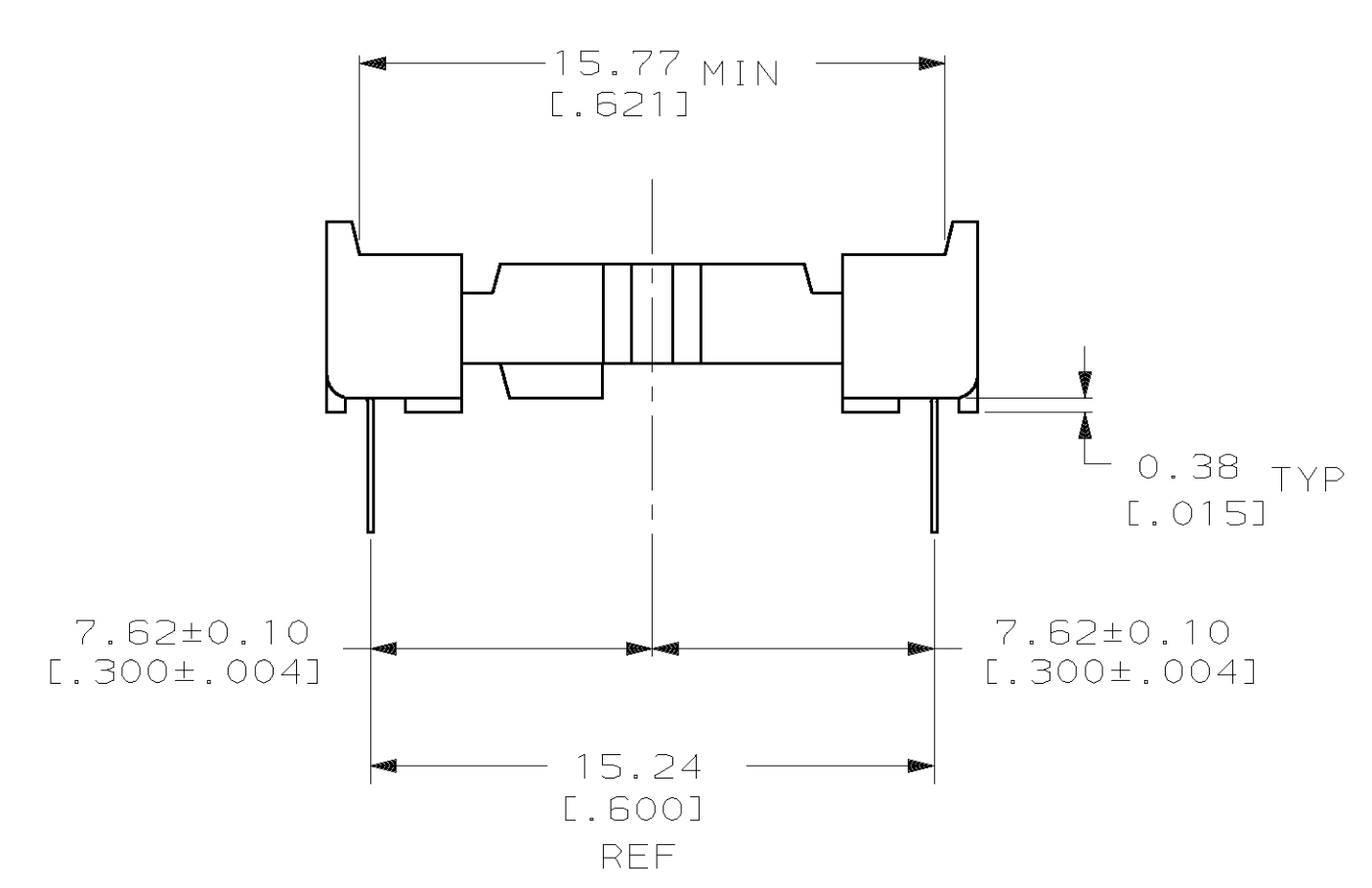
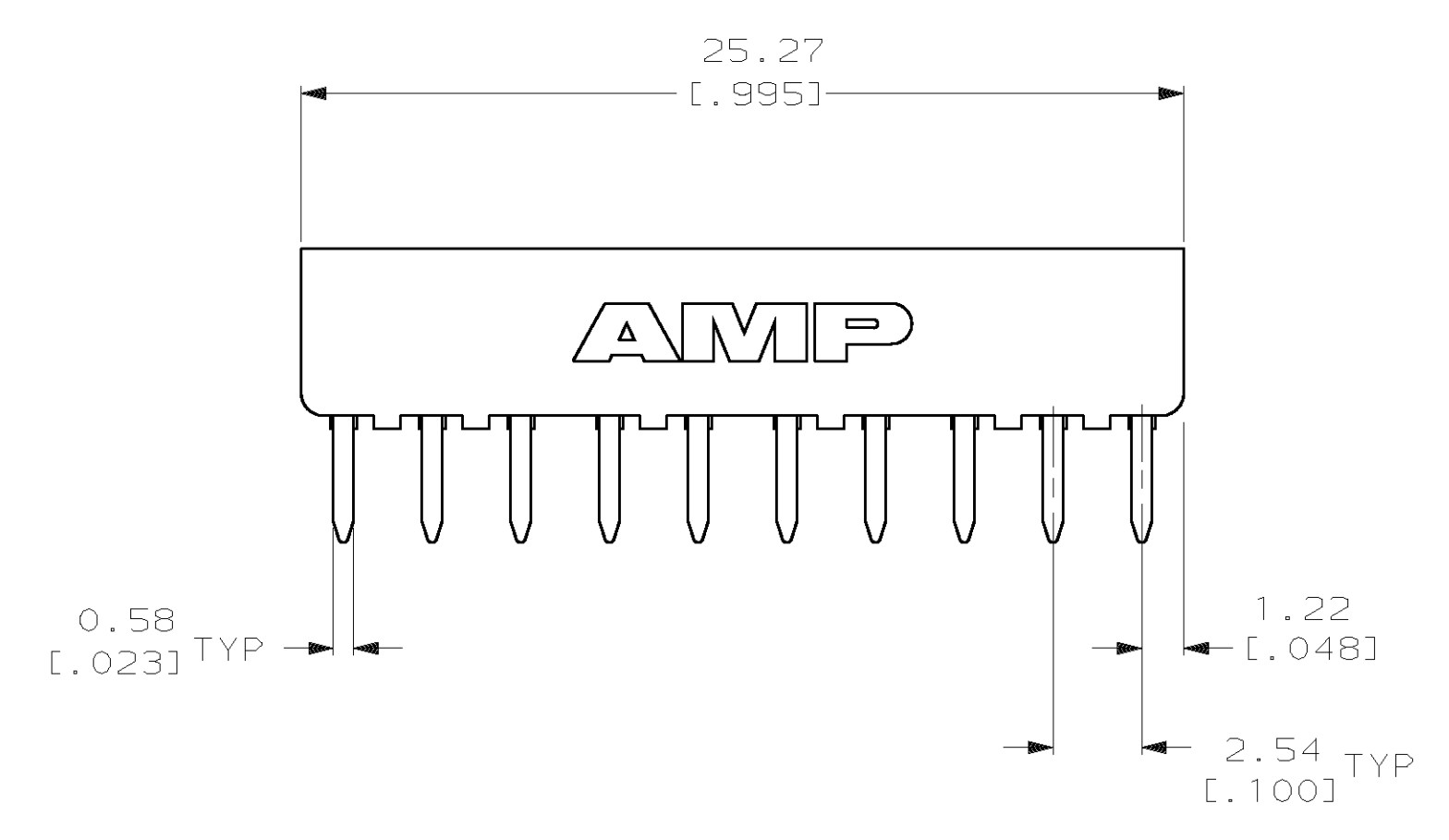
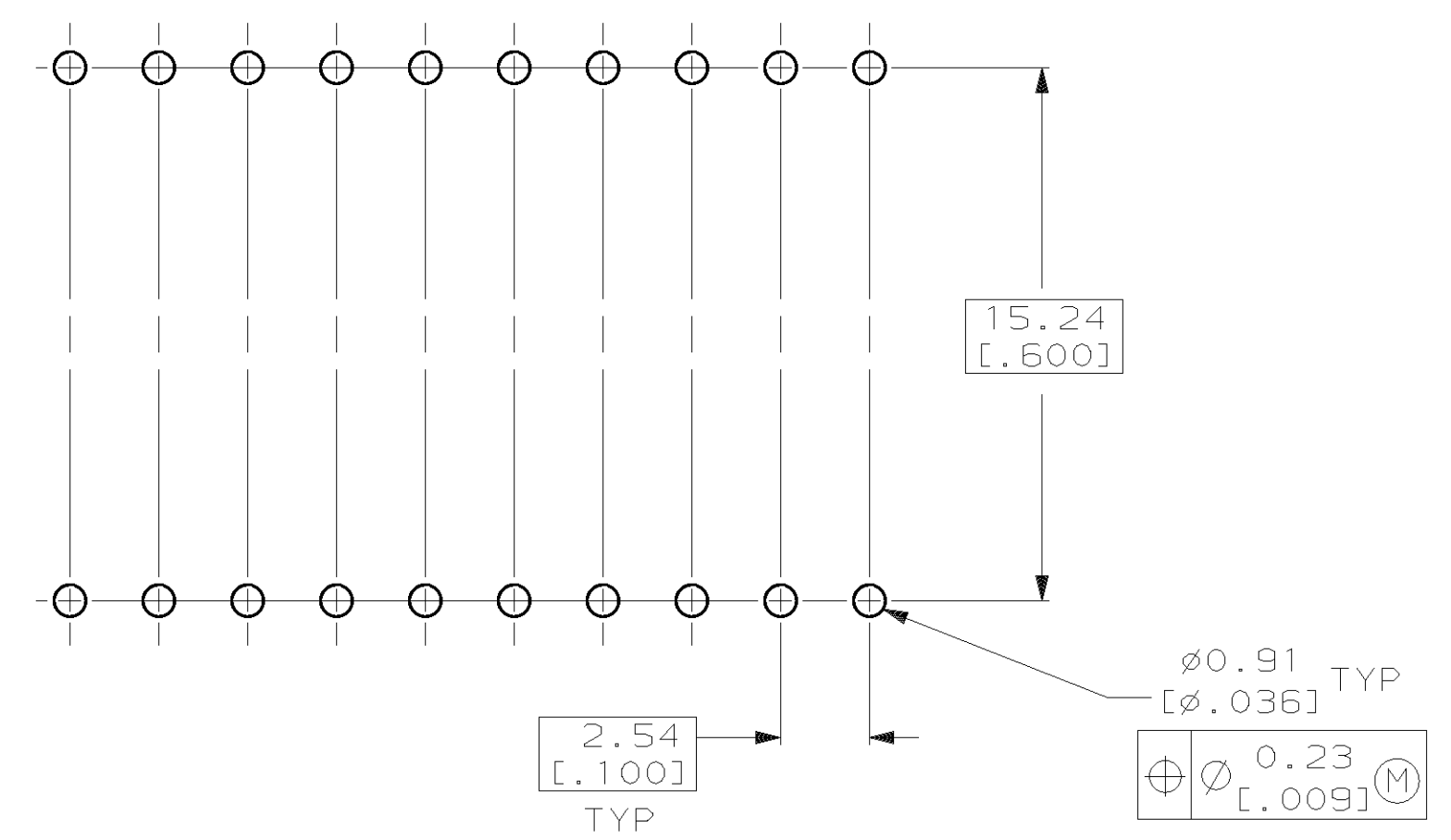
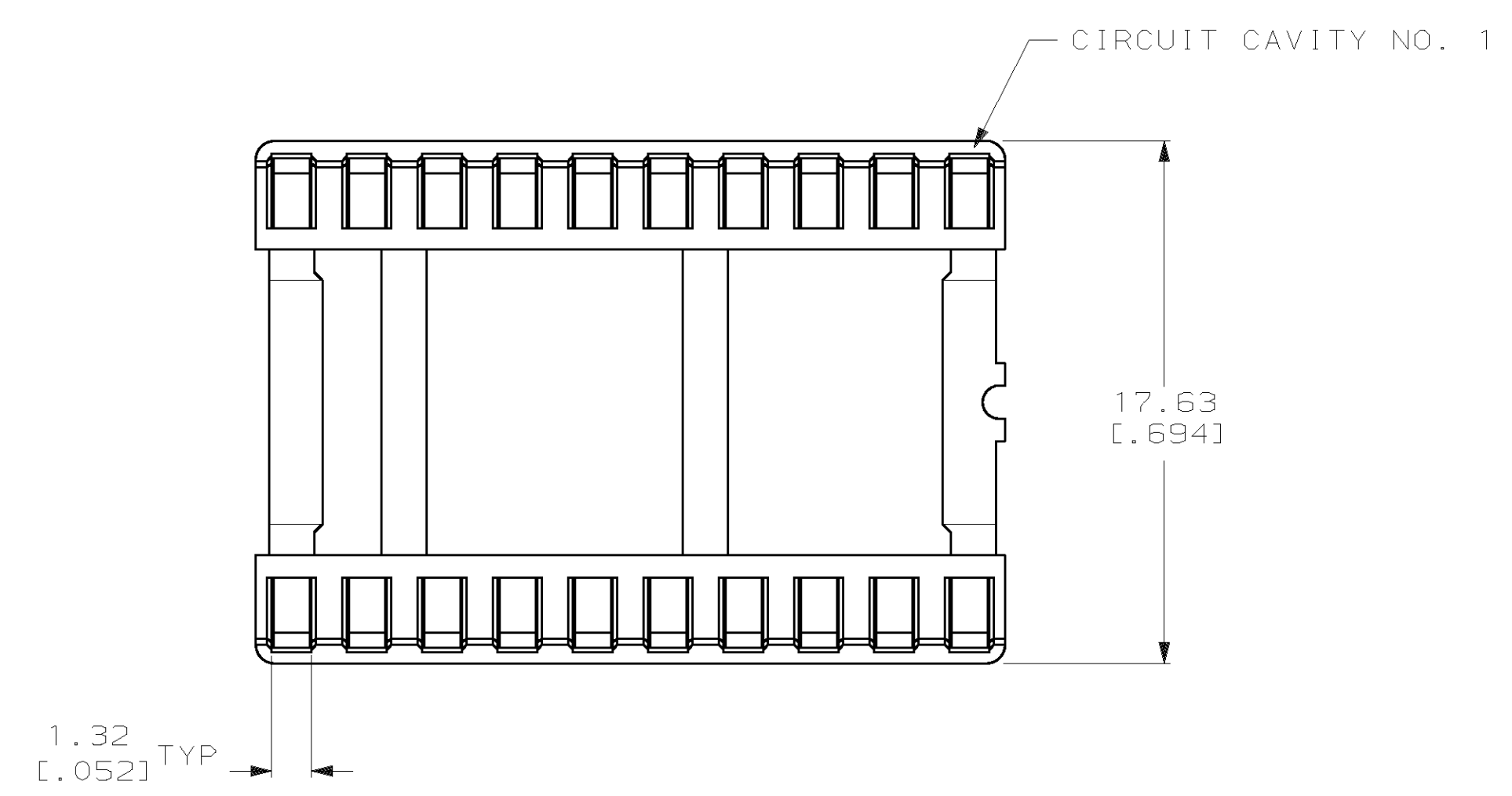


LOC		DIST		REV		REVISIONS		
FT	64	P	F	ZONE	LTR	DESCRIPTION	DATE	APPD
					D	REV PER 063C-0104-01	25SEP01	JO

1. RECEPTABLE ACCEPTS AN 0.20-0.36 [.008-.014] THK I.C. LEAD.
2. MATERIAL: HOUSING-GLASS FILLED THERMOPLASTIC, 94V-0, BLACK
3. TUBE LOADED.



TINNED	PHOS. BRZ. 0.15 [.006] THK	△2	2-382714-8
TINNED	BE. CU. 0.15 [.006] THK	△2	2-382714-6
TINNED	PHOS. BRZ. 0.15 [.006] THK	△2	2-382714-3
GOLD	BE. CU. 0.15 [.006] THK	△2	2-382714-2
TINNED	BE. CU. 0.15 [.006] THK	△2	2-382714-1
CONTACT PLATING	CONTACT MATERIAL	HOUSING MATERIAL	PART NUMBER

DO NOT SCALE PRINT. UNLESS SPECIFIED DIMENSIONS IN mm [INCHES]				PART NO	
DR 10-22-92 C. WHITT	CHK 11-3-92 R. TALLEY	AMP Incorporated Harrisburg, PA 17105-3608		SIZE	CAGE CODE
2 PLC DEC ± -	APPD 11-6-92 F. BOYD			D	00779
3 PLC DEC ± 0.13 [.005]	APPD 11-6-92 L. STEPHENS	NAME		DRAWING NO	
ANGLES ± -	PRODUCT SPEC	SOCKET ASSY, DIP, LADDER, 20 POS, DIPLOMATE™ DL		©-382714	
SEE TABLE	108-1066	SCALE	5:1	SHEET	1 OF 1
FINISH	APPLICATION SPEC	CUSTOMER DRAWING			
SEE TABLE	114-1049				
WEIGHT	-				

THIS DRAWING IS A CONTROLLED DOCUMENT FOR AMP INCORPORATED. IT IS SUBJECT TO CHANGE AND THE CONTROLLING ENGINEERING ORGANIZATION SHOULD BE CONTACTED FOR THE LATEST REVISION.