



SINGLE PORT RJ45

AR11-4370I

- 10/100 Base-T for Ethernet LAN, WAN and other networking applications
- Transmit open circuit inductance (OCL): 350µH (MIN)
@ 100KHz, 0.1Vrms with 8mA DC Bias
- RJ45 jack cavity conforms to FCC rules and regulations Part 68, SUB Part F
- Industrial Temp: -40°C to +85°C

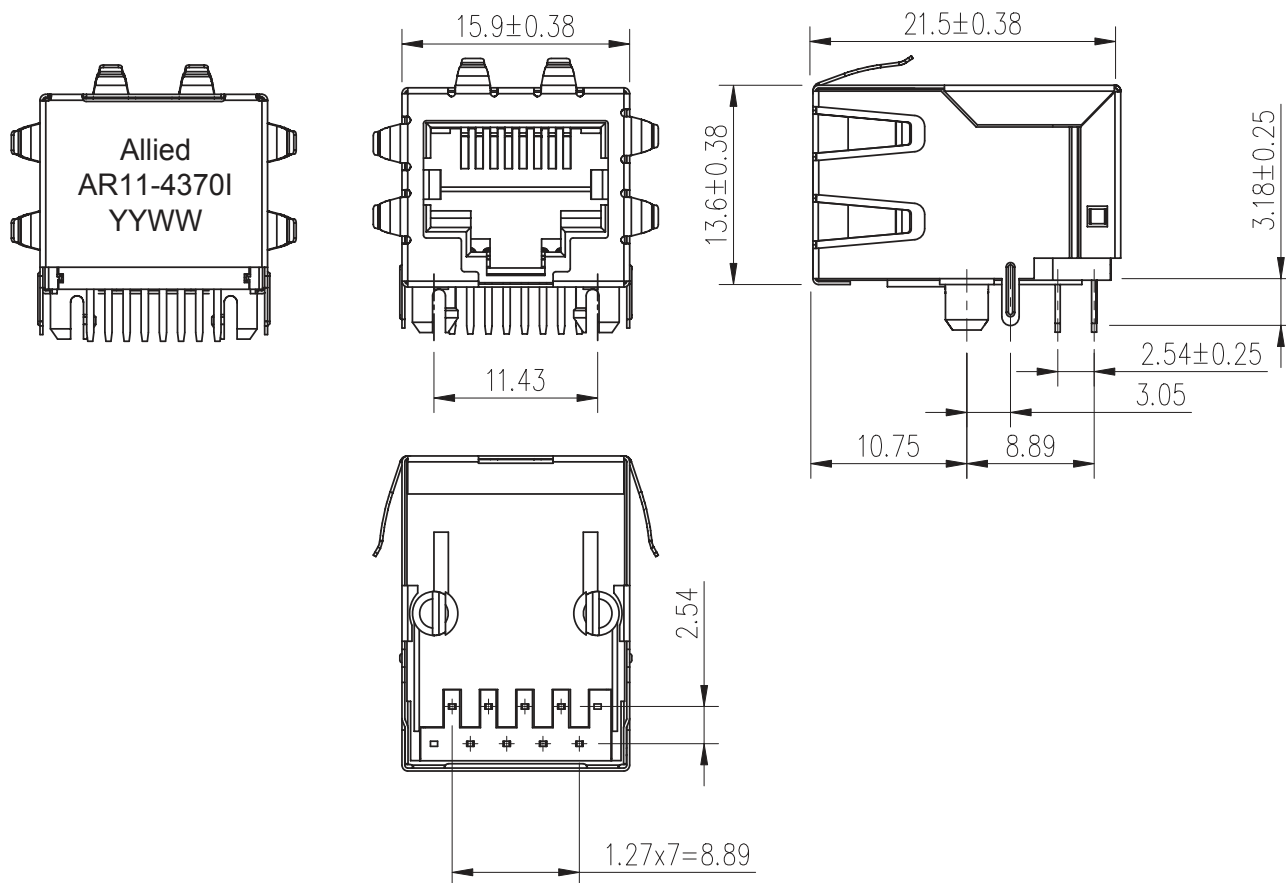


Electrical Specifications @ 25°C

OCL(µH Min) @100KHz, 0.1V With 8mA DC Bias	Turns Ratio @100KHz, 0.1V (±5%)	Insertion Loss (dB Max)	Return Loss (dB Min)					Cross Talk (dB Min)	CMR (dB Min)	HI-POT 1mA, 60S
			1-100MHz	1-30MHz	30-60MHz	60-80MHz	80-100MHz			
350	1:1	-1.0	-18	-16	-12	-10	-30	-30	1500VAC	

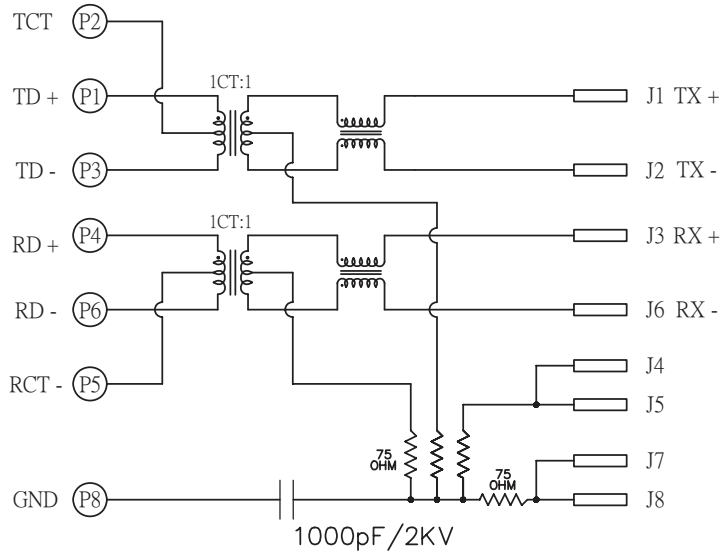
All specifications subject to change without notice.

MECHANICAL

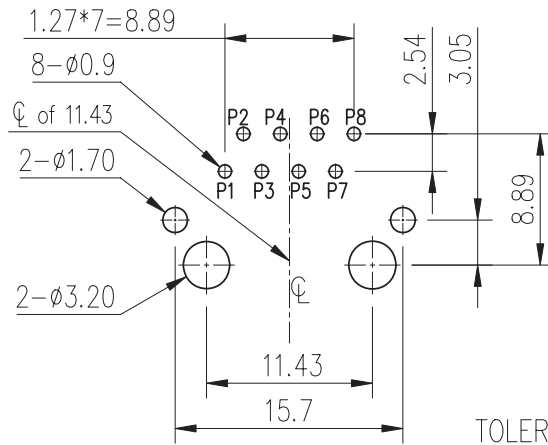




SCHEMATICS



PCB LAYOUT



TOLERANCE ±0.05mm(T=1.6mm)

NOTES

1. Shielded – 0.20mm Thickness Brass C2680 H.
Plating Nickel 20u”MIN.
2. Housing– Standard Material LCP, Glass Fiber Filled
Polyester UL94V-0 Standard Color Black.
3. Contact Pin– Plastic: LCP, Glass Fiber Filled
Polyester UL94V-0 Standard Color Black.
Pin: 0.35mm Thickness Phos–Bronze C5210 EH.
Plating: Nickel 30u”~60u” For All And Sn 100%,
And Gold Plating 50u”.
4. Insert Pin– Plastic: LCP, Glass Fiber Filled
Polyester UL94V-0 Standard Color Black.
Pin: 0.35mm Thickness SUS430.
Plating: Sn All Over 30u”~60u” Nickel