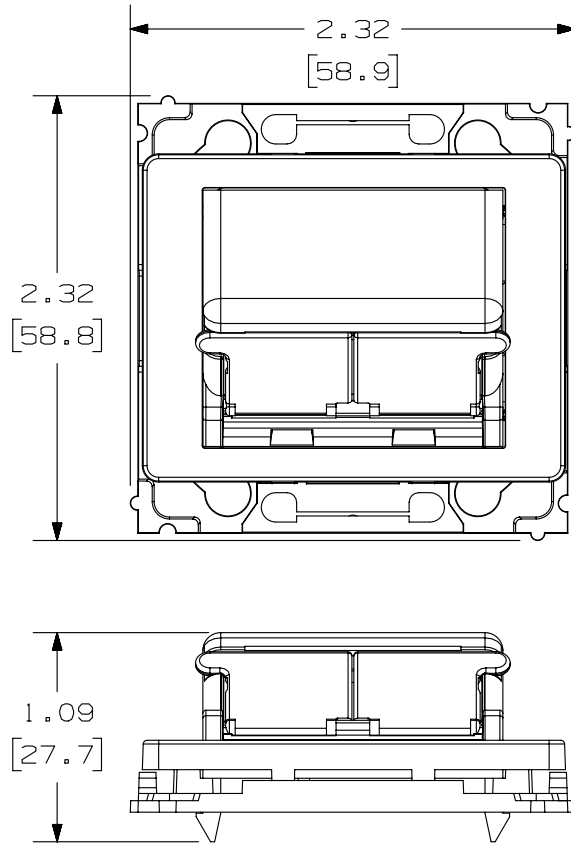


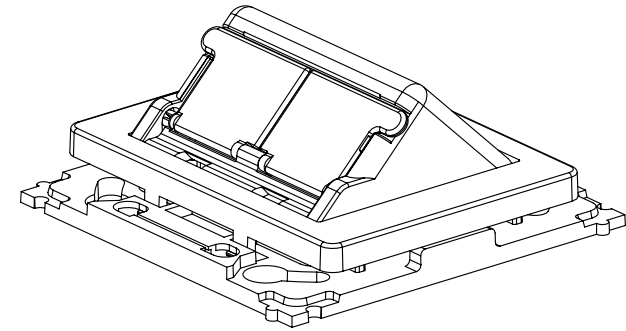
THIS COPY IS PROVIDED ON A RESTRICTED BASIS AND IS NOT TO BE USED IN ANY WAY DETRIMENTAL TO THE INTERESTS OF PANDUIT CORP.



PANDUIT P/N	WEIGHT
CFD66S2S**	.30 LB/10 PCS (136 g/10 PCS)

NOTES:

- SEE CURRENT CATALOG FOR ADDITIONAL PART NUMBER SUFFIXES TO INDICATE COLOR AND OR PACKAGE QUANTITY.
- SEE CATALOG FOR COMPLETE LIST OF PARTS APPLICABLE FOR USE WITH THIS PART.
- DIMENSIONS IN () ARE IN METRIC.
- PART INCLUDES:
1- OPUS 66™ FACEPLATE ADAPTER/COLLAR
1- COLOR COORDINATED CHS2S**



OPUS 66 IS A TRADEMARK OF LAURITZ KNUDSEN A/S BULLERUE, DENMARK

PART NUMBER		CFD66S2S**	
TITLE			
MINI-COM 2 POSITION SLOPED SHUTTERED OPUS 66™ FACEPLATE ADAPTER KIT			
CUSTOMER DRAWING			
ITEM REVISION NAME		10M183AA/00	
DATASET FILE NAME		10M183AA_DC/00B	
UNLESS OTHERWISE SPECIFIED, DIMENSIONAL TOLERANCES ARE: IN (mm)		MATERIAL:	
.x ± .1 [2.54] .xx ± .01 [.25]		ABS	
.xxx ± .005 [.127] ANGLES ± 5 °		DRAWING NUMBER:	
THIRD ANGLE PROJECTION		10M183AA-01	
DRAWN BY	DATE	CHK	SCALE
JSP	5-6-10	MBVE	NONE
SHT 1 OF 1			SIZE
			A

REV	DATE	BY	CHK	APR	DESCRIPTION	ECN
1	3/11/14	JSP	REFR	MMR	A. REVISED DRAWING TITLE BLOCK.	10M183AA-01
R	5-6-10	JSP	MBVE	MBVE	RELEASED TO PRODUCTION	10M183AA-01

D101000DA/14