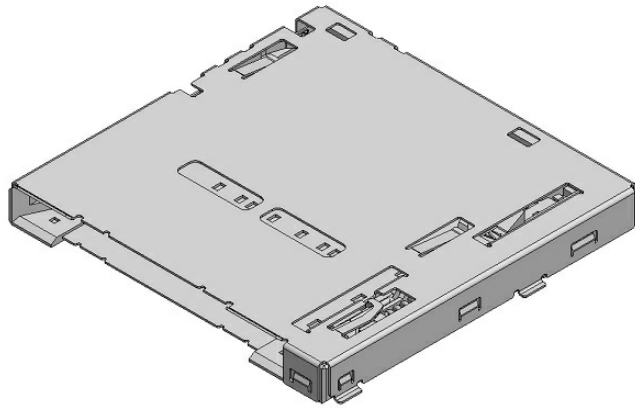


# SG50S009VCBR500

## Product Details

---



### Features

Full-Size SD Card Connector, UHS-I Compatible Rugged, 9 pos. , Push-push Type

<b>Part Number</b>	<b>SG50S009VCBR500</b>
<b>Status</b>	<b>Active</b>
<b>Number of Positions</b>	9 pos.
<b>Rated Current</b>	0.5 A
<b>Rated Voltage</b>	10 V
<b>Connector Type</b>	Rugged Full-Size SD Card Connector
<b>Applicable SD Card</b>	UHS-I
<b>Eject Mechanism</b>	Push-push Type
<b>Card Detection Switch</b>	TRUE
<b>Write Protect Switch</b>	TRUE
<b>PWB Mounting Style</b>	Soldering (SMT)
<b>PCB Board Lock Feature</b>	Hold-down
<b>PCB Mounted Height</b>	3.15 mm

<b>Body Length</b>	28.85 mm
<b>Body Breadth</b>	29.0 mm
<b>Material of Signal Contact</b>	Copper alloy
<b>Finish of Signal Contact in Connecting Area</b>	Gold plating over Nickel
<b>Finish of Signal Contact in PCB Mounting Area</b>	Gold plating over Nickel
<b>Material of Housing</b>	Synthetic resin
<b>Material of Cover Frame</b>	Stainless steel
<b>Finish of Cover Frame (PCB Mounting Area)</b>	Gold plating over Nickel
<b>Contact Resistance (Initial)</b>	Signal: 100 milliohm max., Detect Switch: 1 ohm max.
<b>Dielectric Withstanding Voltage (1 minute)</b>	AC 500 Vr.m.s.
<b>Mating Cycles</b>	10,000 times
<b>Packaging Type</b>	Embossed tape packaging
<b>Quantity in The Standard Packaging</b>	500 pieces/reel
<b>RoHS compliant</b>	10 substances (2011/65/EU, (EU)2015/863)
<b>REACH compliant</b>	233 substances (17/01/2023)
<b>Remarks</b>	

### Notice

1. The values specified in this web site are only for reference. The products and their specifications are subject to change without notice. Contact our sales staff for further information before considering or ordering any of our products.

For purchase, a product specification must be agreed upon.

2. Users are requested to provide protection circuits and redundancy circuits to ensure safety of the equipment, and sufficiently review the suitability of JAE's products to the equipment.
3. The products presented in this web site are designed for the uses recommended below.

We strongly suggest you contact our sales staff when considering use of any of the products in any other way than the recommended applications or for a specific use that requires an extremely high reliability.

(1) Applications that require consultation:

\*Please contact us if you are considering use involving a quality assurance program that you specify or that is peculiar to the industry, such as:

Automotive electrical components, train control, telecommunications devices (mainline), traffic light control, electric power, combustion control, fire prevention or security systems, disaster evention equipment, etc.

\*We may separately give you our support with a quality assurance program that

you specify, when you think of a use such as :

Aviation or space equipment, submarine repeaters, nuclear power control systems, medical equipment for life support, etc.

(2) Recommended applications include:

\*Computers, office appliances, telecommunications devices (terminals, mobile units), measuring equipment, audiovisual equipment, home electric appliances, factory automation equipment, etc