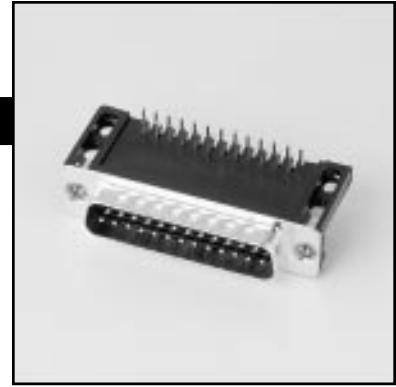


# Series: DMRL

## Right Angle .590 D-Sub



Series options:

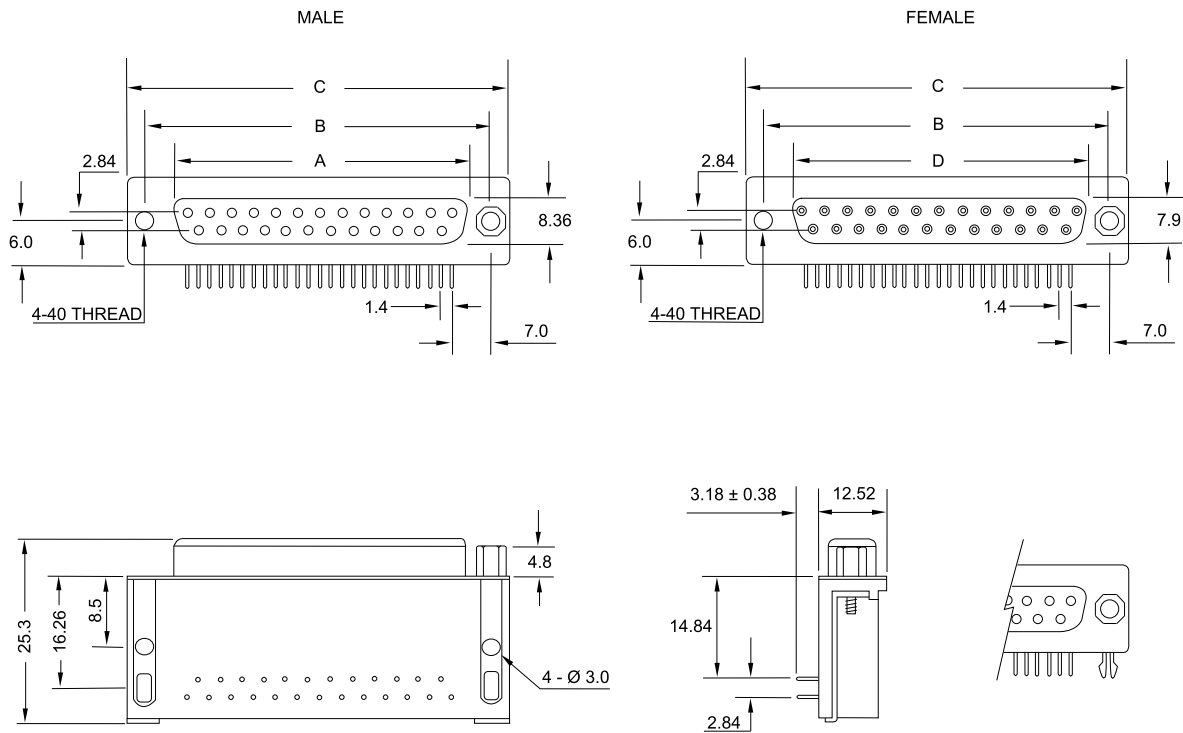
A = 4-40 Jack screws assembled on connector

B = Board locks

G = Grounding straps

J = 4-40 Jack screws (bulk packed)

T = Threaded inserts



Ordering example: **DMRL - 09 S 1 - BT**

| Positions | A     | B     | C     | D     |
|-----------|-------|-------|-------|-------|
| 09        | 16.92 | 24.99 | 30.81 | 16.33 |
| 15        | 25.25 | 33.32 | 39.10 | 24.66 |
| 25        | 38.96 | 47.04 | 53.10 | 38.38 |
| 37        | 55.42 | 63.50 | 69.32 | 54.84 |

# Specifications

## D-Sub Connector Series:

### D

#### Ratings:

|                      |                        |
|----------------------|------------------------|
| Current              | 5A                     |
| Dielectric strength  | AC 1000V for 1 minute  |
| Contact resistance   | 30mΩ max. at DC 100mA  |
| Insulator resistance | 1000MΩ min. at DC 500V |

#### Material:

|                |  |
|----------------|--|
| Plastic        | PBT Glass-filled, UL94V-0                                |
| Color          | Black  |
| Contact male   | Brass  |
| Contact female | Phosphor Bronze  |
| Shell          | Tin  |
| Temperature    | -55°C / +105°C, 260°C for 5 sec. (solder bath resistant) |

## ORDERING PROCEDURE

     1    -         2                 3                 4    -         5

1) Series

2) Number of Positions (see chart for available positions)

3) Gender:

P = Male  
S = Female

4) Plating:

1 = Full Flash Gold  
6 = Selective Flash Gold  
7 = Selective 10μ Gold\*  
8 = Selective 30μ Gold\*  
\* May Require Minimums

5) Series options:

A = 4-40 Jack screws assembled on connector  
B = Board locks  
C = Clinch nuts  
F = Ferrite  
G = Grounding straps  
J = 4-40 Jack screws (bulk packed)  
M = Machined pins  
P = All plastic  
T = Threaded inserts

Please refer to following pages for ordering examples.