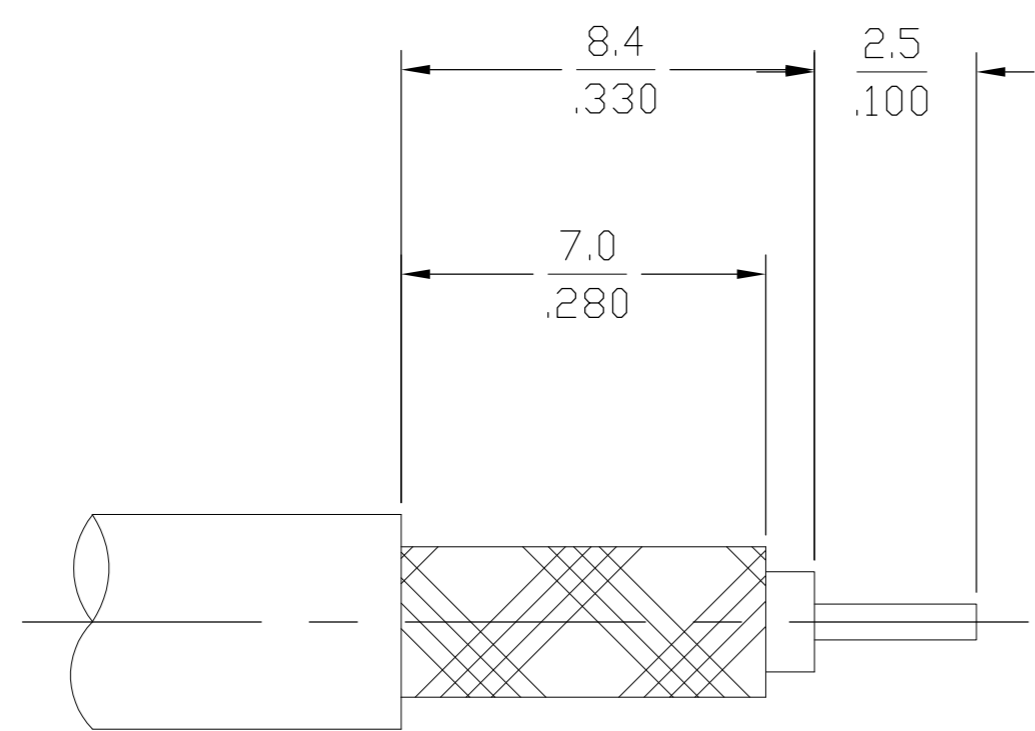
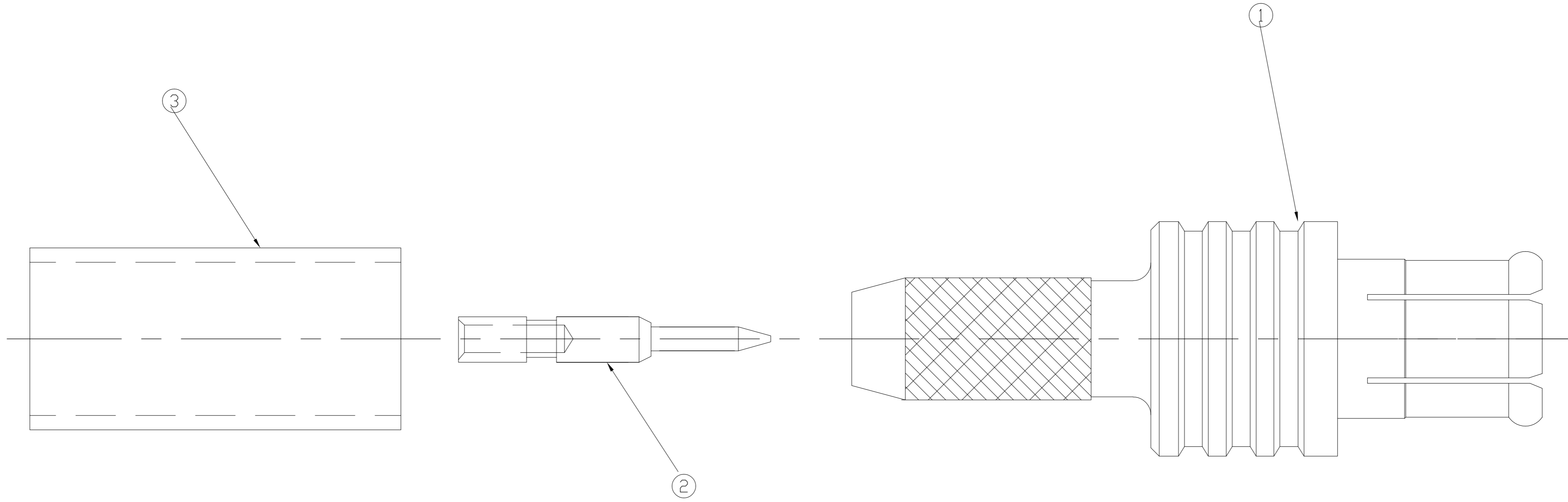


THIS DRAWING IS UNPUBLISHED. RELEASED FOR PUBLICATION  
 © COPYRIGHT BY TYCO ELECTRONICS CORPORATION. ALL RIGHTS RESERVED.

LOC	DIST	REVISIONS			
P	LTR	DESCRIPTION	DATE	DWN	APVD
HC	00	D	REV PER ECO 08-007172	26MAR2008	DW JL



RECOMMENDED STRIP LENGTH

1. FOR USE WITH RG-178/U & RG-196/U CABLE.

RG178/U	3-413889-0	1408060-4	1408076-1	1060869-1
CABLE SIZE	FERRULE ③ QTY=1	CONTACT ② QTY=1	PLUG ASSEMBLY ① QTY=1	PART NUMBER

THIS DRAWING IS A CONTROLLED DOCUMENT.		DWN RMF 21JUL00	Tyco Electronics Corporation Harrisburg, PA 17105-3608	
DIMENSIONS: INCHES		CHK RMF 22JUL00	NAME MCX CABLE PLUG CRIMP ATTACHMENT NICKEL PLATED	
TOLERANCES UNLESS OTHERWISE SPECIFIED:		APVD RMF 22JUL00	SIZE A2	CAGE CODE 00779
0 PLC ± - 1 PLC ± - 2 PLC ± - 3 PLC ± 0.005 4 PLC ± - ANGLES ± 1		PRODUCT SPEC -	DRAWING NO C=1060869	RESTRICTED TO -
MATERIAL -	FINISH -	APPLICATION SPEC 408-10131	WEIGHT -	SCALE 15:1
CUSTOMER DRAWING			SHEET 1 of 1	REV D

1060869