

Industrial Ethernet Switch - FL SWITCH SFNT 5GT-C - 2891391

Please be informed that the data shown in this PDF Document is generated from our Online Catalog. Please find the complete data in the user's documentation. Our General Terms of Use for Downloads are valid (<http://phoenixcontact.com/download>)



Wide-temperature Ethernet switch, five TP RJ45 ports, automatic detection of data transmission speed of 10/100/1000 Mbps (RJ45), autocrossing function, reads QoS priority messages, accepts security frames. Conformal coating for harsh environments.

Product Description

The FL SWITCH SFN 5GT supports the auto negotiation function at the twisted-pair ports and offers transmission speeds of 10/100/1000 Mbps. Mixed operation for the connection of segments with different data transmission speeds is also supported.

Switching properties

-Multi-address function

The switch can store up to 8192 MAC addresses in its address table.

-Quality of service

In case of heavy traffic, packets tagged with higher priority 802.1Q or Differentiated Services values will be given preference. The switch has four internal priority queues.

-Multicast filtering

The multicast filter will block PROFINET PTCP-Delay traffic. This is accomplished by filtering frames with the destination MAC address in the range 01-80-C2-00-00-02 through 01-80-C2-00-00-0F. Note that the filter blocks LLDP traffic because PTCP-Delay uses the same MAC address, 01-80-C2-00-00-0E.

-Alarm contact

The switch provides contacts (R1, R2) for remote alarms if a failure is detected. Alarms are triggered if one or both power supplies fail. An alarm can be triggered if a port link is lost. Individual port alarms can be enabled via a DIP switch located on the bottom of the switch. The alarm relay is a normally closed type. When there are no faults, the contact is held open. When a fault occurs, the relay is de-energized to close the contact.

-Link monitor DIP switch

To enable an alarm for a port, move the appropriate slider to the ON position. To disable an alarm, move the appropriate slider to the OFF position.

Power connection is via a removable COMBICON connector. US1 and US2 are 24 V DC and GND is 0 V DC. # FE, functional earth.

Product Features

- ✓ All ports offer transmission speeds of 1000 Mbps
- ✓ Jumbo frame support (frame size up to 10,240 bytes/frame)
- ✓ QoS-prioritized (Quality of Service) messages
- ✓ The switch also offers cable locking and port blocking
- ✓ Alarm contact for power supply and link status diagnostics
- ✓ Wide operating temperature range (-40°C ... +75°C)



Ethernet

Industrial Ethernet Switch - FL SWITCH SFNT 5GT-C - 2891391

Key Commercial Data

Packing unit	1 pc
Weight per Piece (excluding packing)	550.0 g
Custom tariff number	85176200
Country of origin	Taiwan

Technical data

Note

Utilization restriction	EMC: class A product, see manufacturer's declaration in the download area
-------------------------	---

Dimensions

Width	30 mm
Height	130 mm
Depth	100 mm

Ambient conditions

Degree of protection	IP20
Ambient temperature (operation)	-40 °C ... 75 °C
Ambient temperature (storage/transport)	-40 °C ... 85 °C
Permissible humidity (operation)	5 % ... 95 % (non-condensing)
Air pressure (operation)	62 kPa ... 108 kPa (up to 4850 m above mean sea level)
Air pressure (storage/transport)	62 kPa ... 108 kPa (up to 4850 m above mean sea level)

Interfaces

Interface 1	Ethernet (RJ45)
No. of ports	5 (RJ45 ports)
Connection method	RJ45
Note on connection method	Auto negotiation and autocrossing
Transmission physics	Ethernet in RJ45 twisted pair
Transmission speed	10/100/1000 MBit/s

Function

Basic functions	Unmanaged switch / autonegotiation, complies with IEEE 802.3, store and forward switching mode, includes QoS and alarm contact
Status and diagnostic indicators	LEDs: U _{S1} , U _{S2} (redundant voltage supply), link and activity per port, alarm (power and link down)

Network expansion parameters

Cascading depth	Network, linear, and star structure: any
Maximum conductor length (twisted pair)	100 m

Supply voltage

Industrial Ethernet Switch - FL SWITCH SFNT 5GT-C - 2891391

Technical data

Supply voltage

Supply voltage	24 V DC (redundant)
Residual ripple	3.6 V _{PP} (within the permitted voltage range)
Supply voltage range	10 V DC ... 60 V DC
Typical current consumption	typ. 223 mA (at U _S = 24 V DC)
Max. current consumption	547 mA (10 V DC)
Inrush surge current	7.2 A (400 µs)

General

Mounting type	DIN rail
Type AX	Block design
Net weight	245 g
Housing material	Aluminum
Noise emission	EN 61000-6-4

Classifications

eCl@ss

eCl@ss 5.1	19030117
eCl@ss 6.0	19170106

ETIM

ETIM 5.0	EC000734
----------	----------

Approvals

Approvals

Approvals

UL Listed / cUL Listed / cULus Listed

Ex Approvals

UL Listed / cUL Listed / cULus Listed

Approvals submitted

Approval details

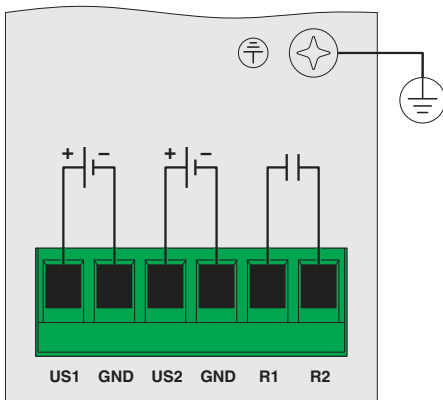
Industrial Ethernet Switch - FL SWITCH SFNT 5GT-C - 2891391

Approvals



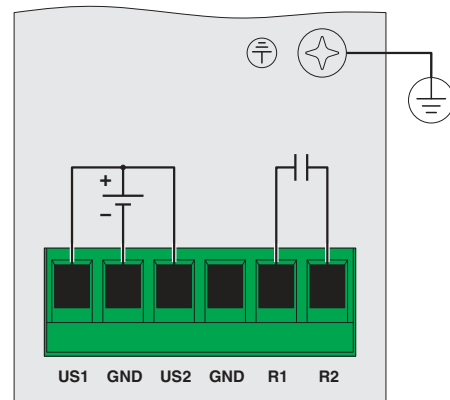
Drawings

Connection diagram



Redundant power supply connection

Connection diagram



Single power supply connection