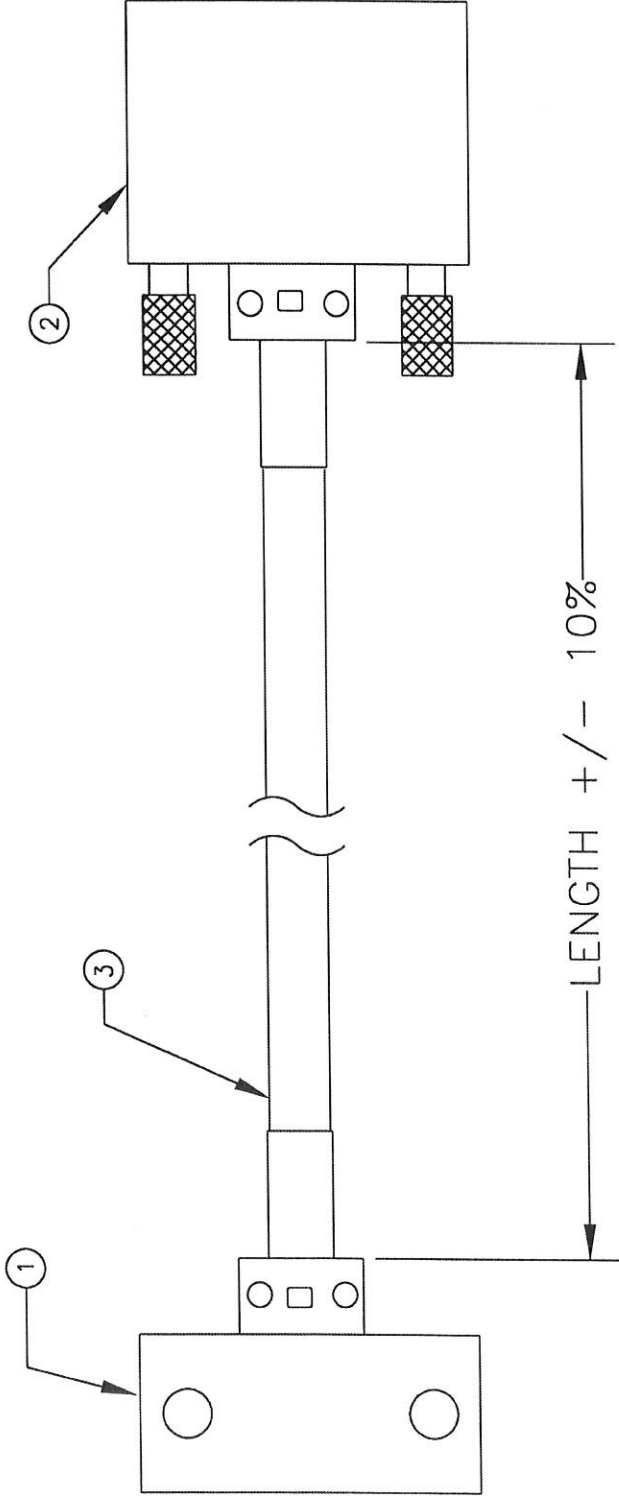


REVISIONS

REV.	DESCRIPTION	DATE	CMPLT. BY	APPRV.



PARTS LIST

BUB. #	DESCRIPTION	QTY.
1	V.35 RIGHT-ANGLE CONN. HOUSING MALE	1
2	V.35 STRAIGHT CONNECTOR HOUSING FEMALE	1
3	CABLE 40-COND 22AWG	A/R

CATALOG #	LENGTH
998546	1.0m
998547	2.0m

TITLE

FIM CBL FBM01 RA ST

CAT. VARIOUS

NO. DRWN SB
BY APPROVED *PSA*

REL. DATE
1/12/99



Weidmüller
WEIDMULLER INC.
821 SOUTHLAKE BLVD.
RICHMOND, VIRGINIA 23236

DISTRIBUTION: P/N DWG. PROD. INSP. OTHER

TOLERANCE ON :

x = +/- 0.508 mm
.xx = +/- 0.254 mm
.xxx = +/- 0.127 mm
∅ = +/- .30
UNLESS OTHERWISE SPECIFIED ALL DIMENSIONS ARE IN MILLIMETERS
() INDICATES REFERENCE DIMENSIONS

PROPRIETARY RIGHTS :

THIS DOCUMENT INCLUDES DESIGN AND ENGINEERING CONCEPTS THAT ARE PROPRIETARY TO WEIDMULLER INC. AND THIS DOCUMENT OR ITS CONTENTS MAY NOT BE DISCLOSED TO OTHERS, REPRODUCED, COPIED, OR USED WITHOUT WRITTEN AUTHORITY FROM WEIDMULLER INC. IN RICHMOND, VIRGINIA.

SCALE: DO NOT SCALE

SIZE: A SHEET 1 OF 2

DRAWING NUMBER
1100475

REV.
0

PRODUCTION RELEASE PAGE 2