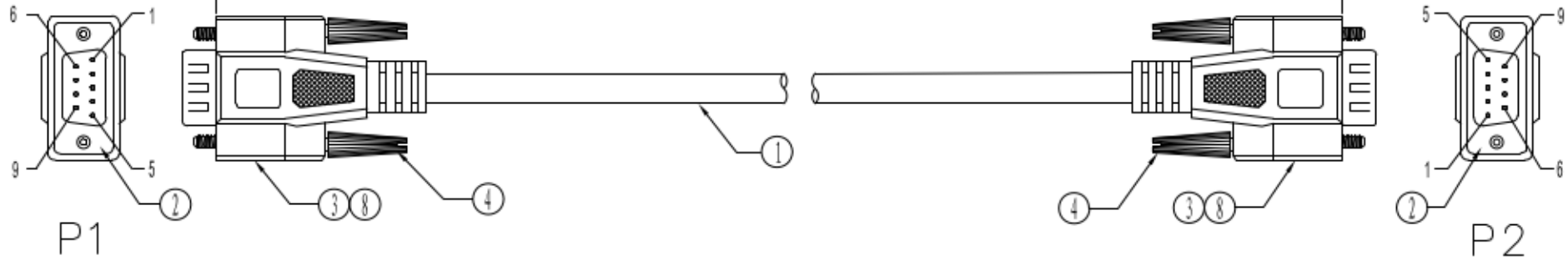


UNIT: mm

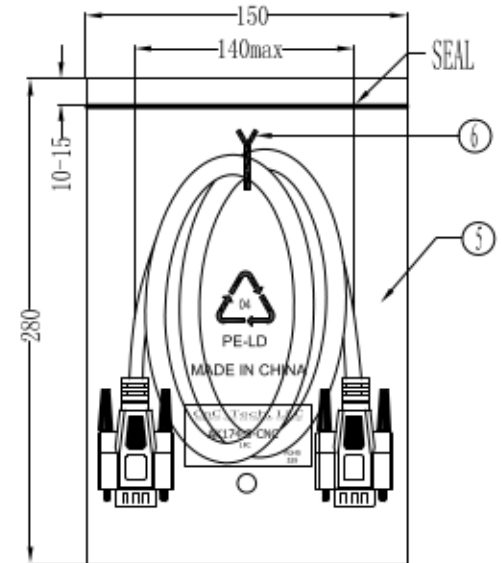
3000 ± 50mm



Electronic Test:

- 1.100% Test,(Open,Short,Miss Wire)
- 2.Contact Resistance:2 ohm max.
- 3.Insulation Resistance:5M ohm min.
- 4.Hi-Pot:300V DC.

| PIN ASSIGNMENT | | |
|----------------|--------|-------|
| P1 | | P2 |
| 1 | BLACK | 1 |
| 2 | GREY | 2 |
| 3 | YELLOW | 3 |
| 4 | PURPLE | 4 |
| 5 | ORANGE | 5 |
| 6 | RED | 6 |
| 7 | BROWN | 7 |
| 8 | GREEN | 8 |
| 9 | BLUE | 9 |
| SHELL | D.W | SHELL |



1PCS/PE BAG

| NO. | NAME | Q'TY | SPECIFICATION |
|-----|------------|-------|---|
| ⑧ | TUBE | 2 | HEAT SHRINK TUBE BLACK OD1.5*L15MM |
| ⑦ | PE BAG | 1/10 | CLEAR SIZE:360*380*0.05mm PRINT BLACK*MADE IN CHINA**10PCS* 及生产周期, 有透气孔. |
| ⑥ | TIE | 1 | WHITE L=130mm |
| ⑤ | PE BAG | 1 | CLEAR SIZE:150*280*0.05mm PRINT BLACK*MADE IN CHINA* 及生产周期, 有透气孔. |
| ④ | SCREW | 4 | SCREW:#4-40UNC L47mm,NICKEL PLATED,INSULATION COLOR BEIGE(IV-29) |
| ③ | OUT JACKET | 43.5g | BEIGE(IV-29) 40P PVC(MOULD NO:WM-113) |
| | IN JACKET | 8g | CLEAR LDPE(MOULD NO:NM-D49) |
| ② | CONN | 2 | DB 9PIN MALE PIN G/F SHELL-NICKEL SOLDER TYPE INSULATION COLOR BLUE |
| ① | CABLE | 1 | NOUL 30AWG(7/0.10)*9C+D.W+AL/MY+JACKET COROL:BEIGE(IV-29) OD:5.0mm. L3000±15mm. |

| CnC Tech, LLC | | | |
|---|---------|-------------|-----------------|
| Industrial Cable and Connector Technology | | | |
| DRAWN BY | ZHONGHS | DARWING NO. | |
| CHECKED BY | | CUSTOMER | |
| APPROVAL BY | | ITEM NO. | 710-10036-00300 |
| DECIDE BY | | DATE | 2011-10-24 |
| VERSIONS/EDITEON | A/O | PROJECTION | |