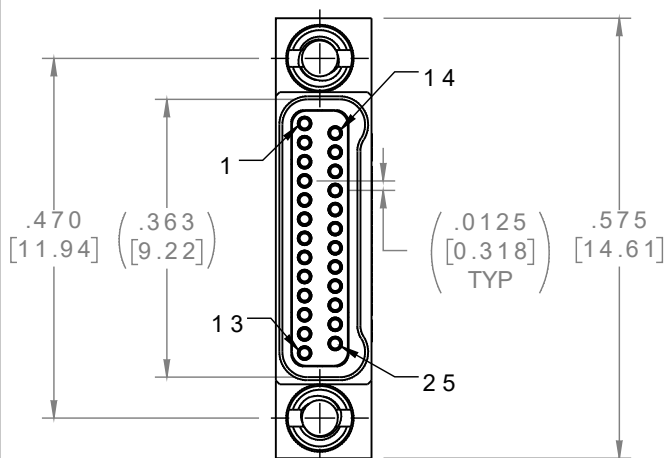
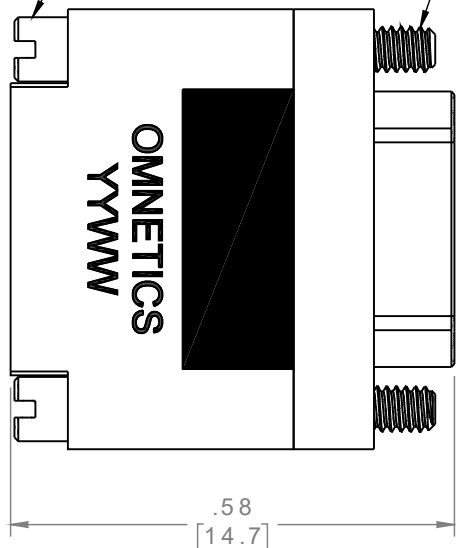


PART NO.	A 40838-025	REV	ECO	DATE	APP
		A	103406	04-19-17	TLM

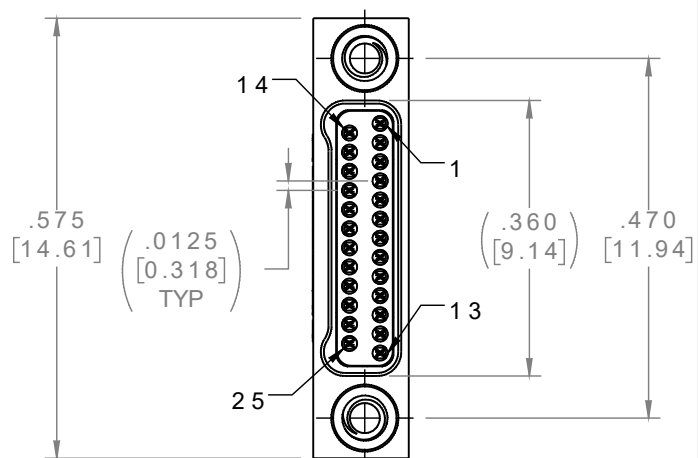
FEMALE



2 X #0-80 UNF-2B SLOTTED HEAD
2 X #0-80 UNF-2A



MALE



MATERIALS:

INSULATOR:
LIQUID CRYSTAL POLYMER (LCP) PER ASTM D5138

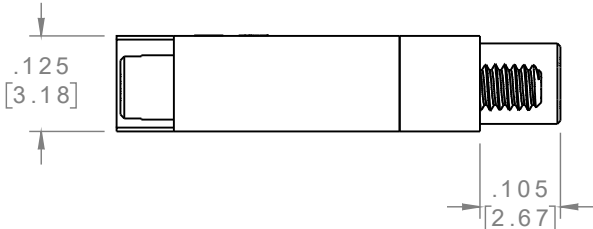
HOUSING:
ALUMINUM 6061-T6, NICKEL PLATE PER SAE-AMS-2404

HARDWARE:
303 STAINLESS STEEL PER ASTM 582

CONTACTS:

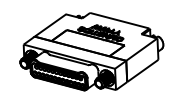
MALE:
BERYLLIUM COPPER PER ASTM B194, C17200, GOLD PLATED PER ASTM B488, (HARD GOLD) TYPE II CODE C, CLASS 1.27

FEMALE:
COPPER ALLOY PER MIL-DTL-32139, GOLD PLATED PER ASTM B488, (HARD GOLD) TYPE II CODE C, CLASS 1.27



NOTE:

DIMENSIONS IN [] ARE IN MILLIMETERS UNLESS OTHERWISE NOTED AND ARE FOR REFERENCE ONLY



ACTUAL SIZE

JUM SLDW	THIRD ANGLE
	-TOLERANCES-
	UNLESS OTHERWISE NOTED
	DIMENSIONS IN INCHES
2	PL DEC ± .01
3	PL DEC ± .005
4	PL DEC ± .0005
ANGLES ± 1°	

THIS DRAWING CONTAINS CONFIDENTIAL AND PROPRIETARY INFORMATION WHICH IS THE PROPERTY OF OMNETICS CONNECTOR CORP. THIS DOCUMENT MAY NOT, IN WHOLE OR IN PART, BE DUPLICATED, OR DISCLOSED FOR ANY PURPOSE, WITHOUT WRITTEN PERMISSION FROM OMNETICS CONNECTOR CORP.			
DFTM. ERB	DATE	TITLE:	
	03-17-17	(25) PIN MALE/FEMALE	
CHK'D.	DATE	Bi-Lobe® CONNECTOR	
APP'D.	DATE	SAVER	

OMNETICS
CONNECTOR CORPORATION
7260 COMMERCE CIRCLE EAST
MINNEAPOLIS, MN 55432
WWW.OMNETICS.COM

CAGE CODE 61873	
DWG NO. A40838-025	
SHEET 1 OF 1	REV A
SCALE: 4:1	