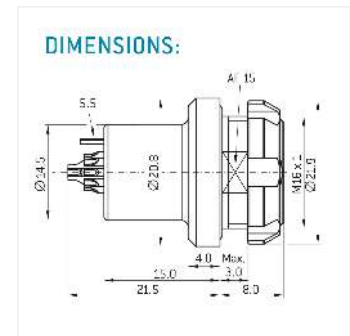
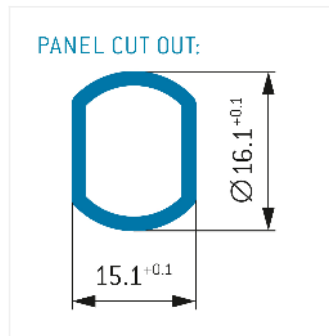
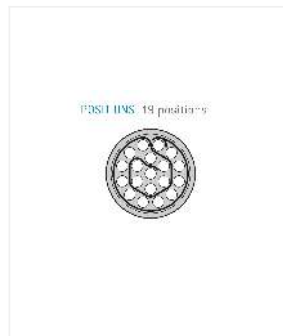
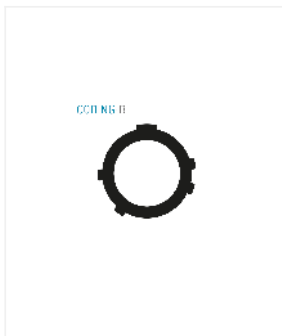


## General information

Part number	G82YBR-P19WFG0-000L
Termination	solder
Size	2
Locking principle	break , push
Coding	b_key_amc
Cable Diameter	cable_amc_2



## Contact insert description

Number of contacts	19
Contact type	sockets
Contact diameter	07mm
Insulator material	peek
Wire cross section	22_awg
Termination	solder
Termination diameter	085mm

reverse\_gender\_on\_request

## Technical information

Nominal current single contact	07_a	iec_60512_5_2
Nominal current insert	3,15 A	vde_0298_4
Test voltage	1_kv_ac	eia_364_20f

safety\_text

## Mechanical and environmental data

Degree of protection*	ipsk8_ip6k9k
Operating temperature	51_125_c
Mating cycles	5000

mated

## Material and surface treatments

<b>Housing</b>	ruthenium
<b>Contact</b>	cu_alloy_gold

safety\_text\_2  
ul\_text  
illustrative\_text