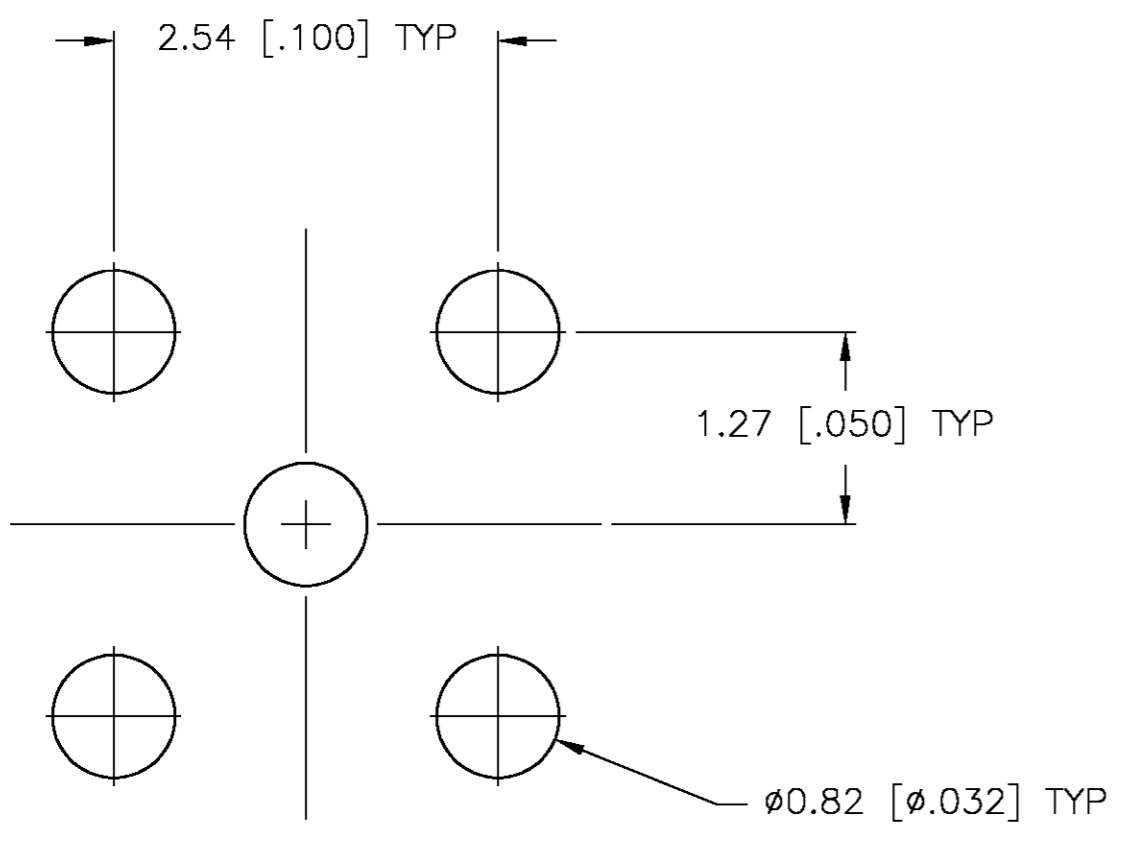
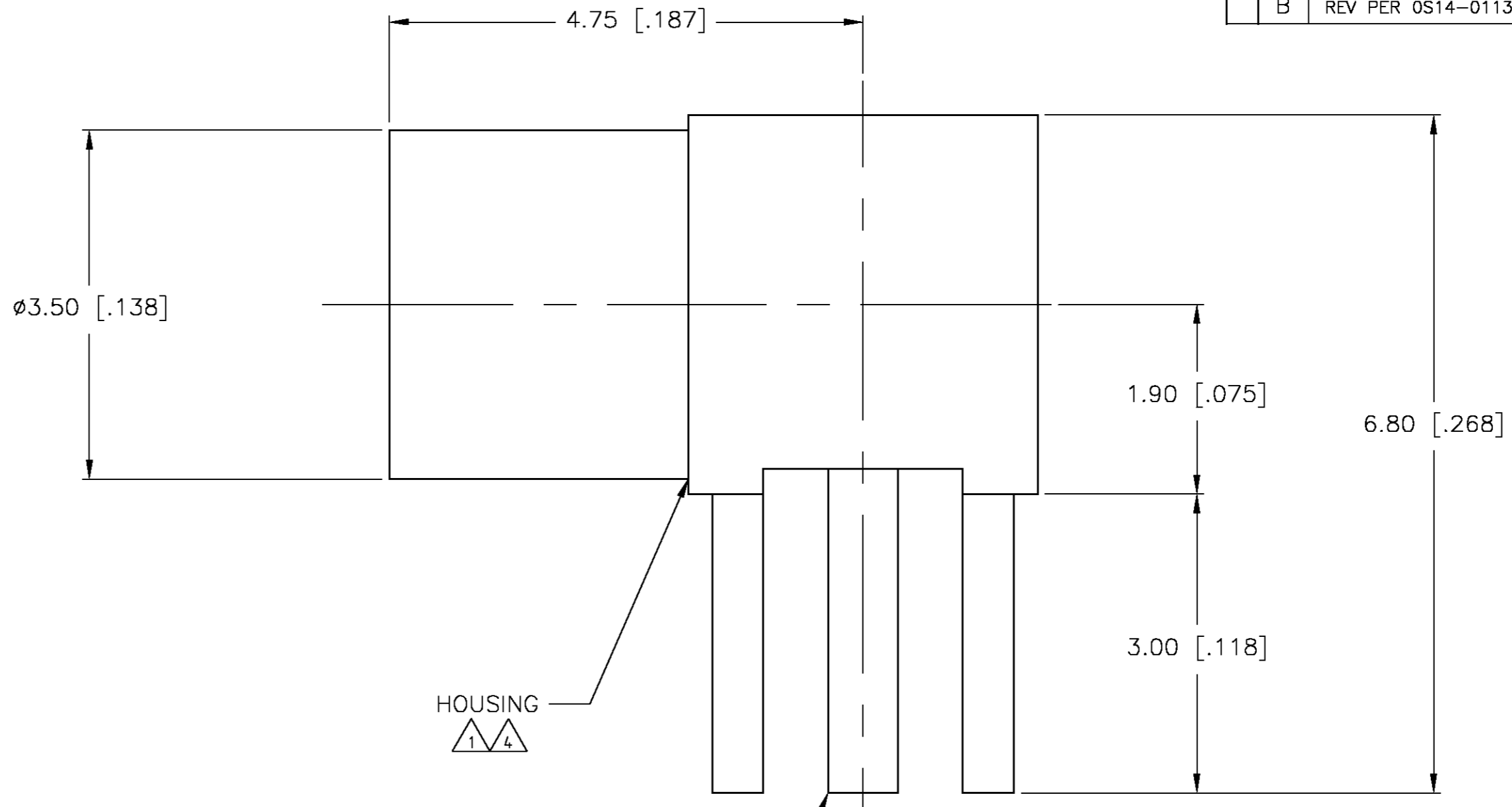
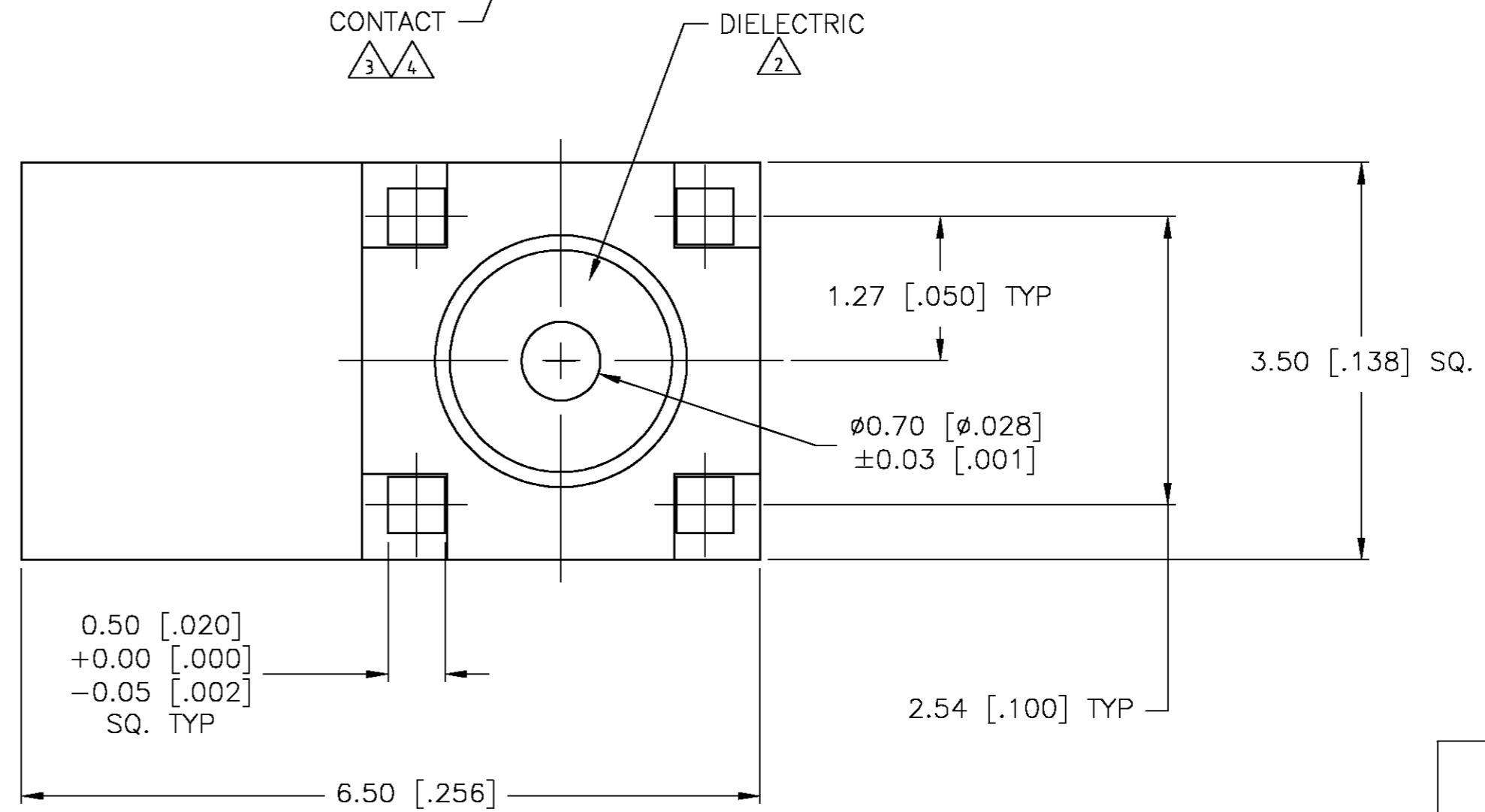


THIS DRAWING IS UNPUBLISHED. RELEASED FOR PUBLICATION
 © COPYRIGHT BY TYCO ELECTRONICS CORPORATION. ALL RIGHTS RESERVED.

LOC		DIST		REVISIONS			
P	LTR	DESCRIPTION	DATE	DWN	APVD		
AJ	-	B	REV PER 0514-0113-03	07APR03	KW	KW	



RECOMMENDED PCB LAYOUT
 TOLERANCE: ±0.08 [.003]



0.50 [.020]
 +0.00 [.000]
 -0.05 [.002]
 SQ. TYP

- 1 BRASS PER ASTM-B-16
- 2 PTFE PER ASTM-D-1710
- 3 BERYLLIUM COPPER PER ASTM-B-196
- 4 GOLD PLATE PER MIL-G-45204

1408151-1
 PART NUMBER

THIS DRAWING IS A CONTROLLED DOCUMENT.		DWN	21NOV01	 Tyco Electronics Corporation Middletown, PA 17057	
DIMENSIONS: MM [INCHES]		CHK	21NOV01		
TOLERANCES UNLESS OTHERWISE SPECIFIED:		APVD	21NOV01		
0 PLC ± - 1 PLC ± - 2 PLC ± 0.15 [.006] 3 PLC ± - 4 PLC ± - ANGLES ± 5° FINISH -		NAME	108-2084		
MATERIAL		PRODUCT SPEC	108-2084	SIZE	A2
		APPLICATION SPEC		CAGE CODE	00779
		WEIGHT	0.45g/.016oz	DRAWING NO	C=1408151
		CUSTOMER DRAWING		RESTRICTED TO	-
		SCALE	20:1	SHEET	1 OF 1
		REV	B		

1408151

A