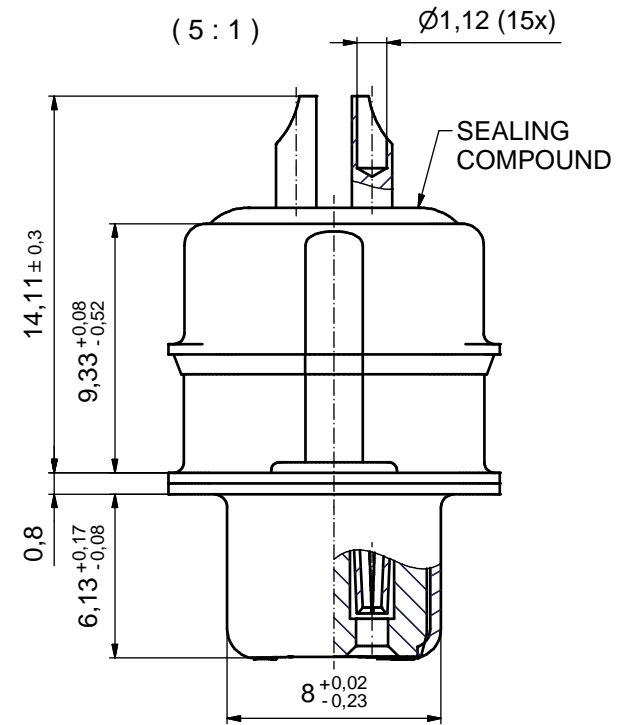
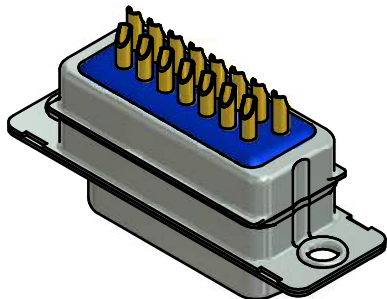
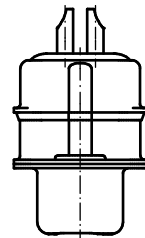


SEE NOTE 6



NOTES:

1. METALSHELLS: STEEL; min. 315µin TIN over 40-80µin NICKEL
2. INSULATOR: PBT GF UL 94 V-0; BLACK
3. CONTACTS: COPPER ALLOY
PLATING: GOLD FLASH over NICKEL
SOLDER CUP ACCEPTS CABLE AWG 20
4. CAPACITANCE: 2 x 830pF ± 20%
5. DIELECTRIC WITHSTANDING VOLTAGE: 300 VDC
6. CONNECTOR IS PART MARKED: 242A29070X CONEC ABC

Directive 2002/95/EC RoHS compliant

THIS DRAWING MAY NOT BE COPIED OR REPRODUCED IN ANY WAY, AND MAY NOT BE PASSED ON TO A THIRD PARTY WITHOUT WRITTEN PERMISSION. OWNERSHIP AND COPYRIGHT OF CONEC GmbH DO NOT ALTER CAD DRAWING BY HAND				tolerance	 dim. in mm	scale:	2:1 (5:1)		
				date		name	material:	SEE NOTES	
				drawn	22.12.04	Schmidt	title: D-SUB PI FILTER FEMALE 15pos. SOLDER CUP		
				appd.	22.12.04	Mickenbecker			
				norm	DIN 41652		dwg no: Inventor DIN-A3		
				d-old					
			1 x b	Ä 3856	10.01.11	Lehm.	part no: 242A29070X		
			a	Origin					sh: 1
			rev.	description	date	name			