

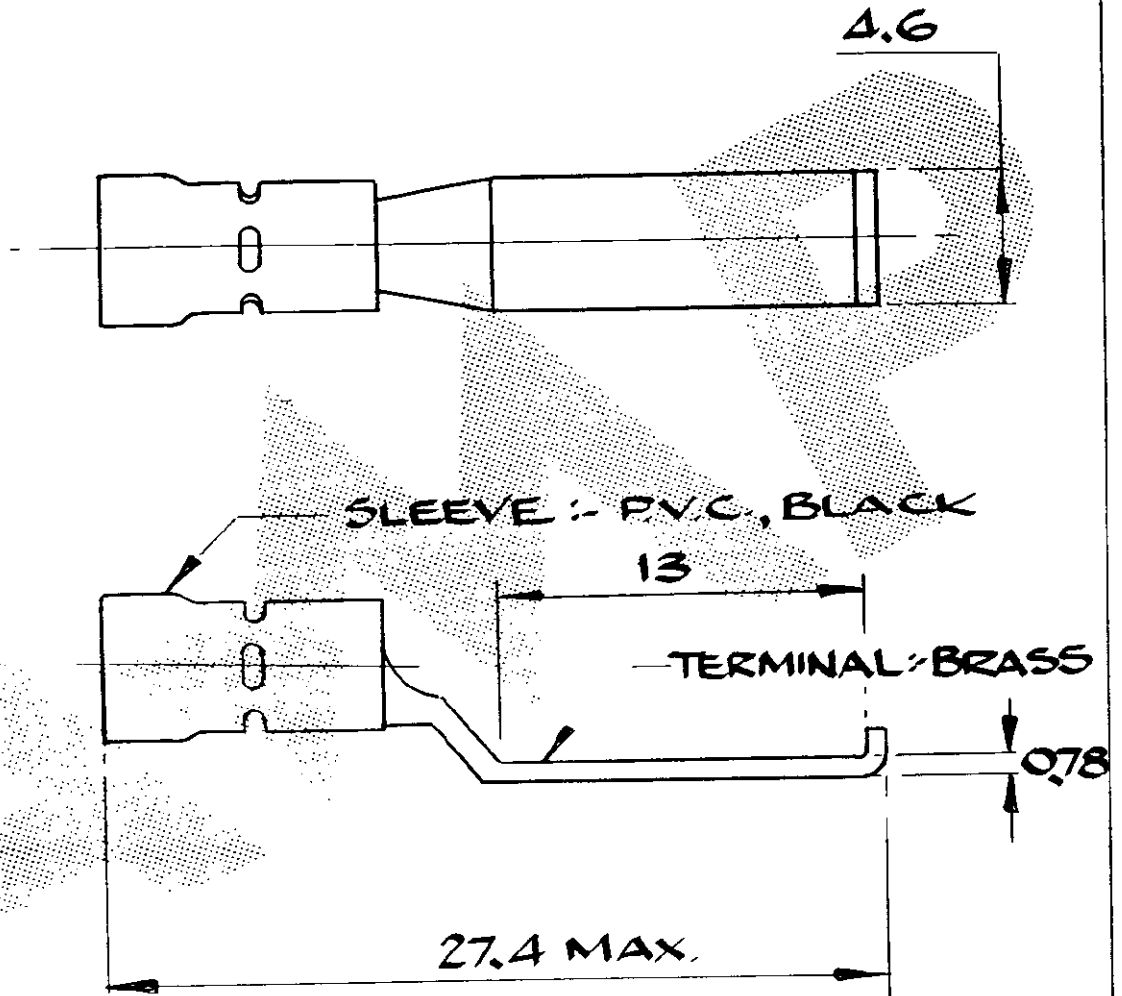
DO NOT SCALE

DIMENSIONS IN mm

METRIC



NUMBER
C151467



SEE ABOVE 151467-0

OTHER TREATMENT		FINISH		MATERIAL		PART NUMBER	
CUSTOMER DWG FOR REFERENCE ONLY		TOLERANCES UNLESS OTHERWISE STATED - DEC ± 0.5 ANGLES ± 1°		INS DIA RANGE		WIRE RANGE	
		DR DR. TERRY		22-16		SCALE 4:1	
D E830-0428-96 RECEIVED 3.4.96		CHK W. WILSON		AMP TERMINAL HOUSE of Great Britain Ltd		STANMORE MIDD.	
C E807-0507-95 OBTOLITE DR T 3.12.95		APP		NAME LIPPED BLADE TERMINAL ASSY		SHEET 1 of 1	
B REDRAWN RT 2449		DATE		A4 E DWG NO C151467			
ISS		REVISION RECORD					

PRINT DIST