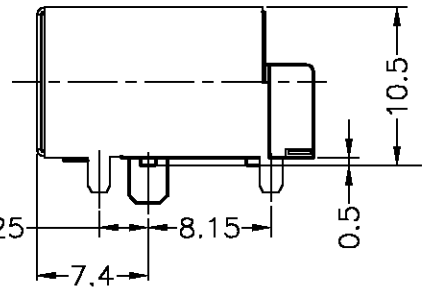
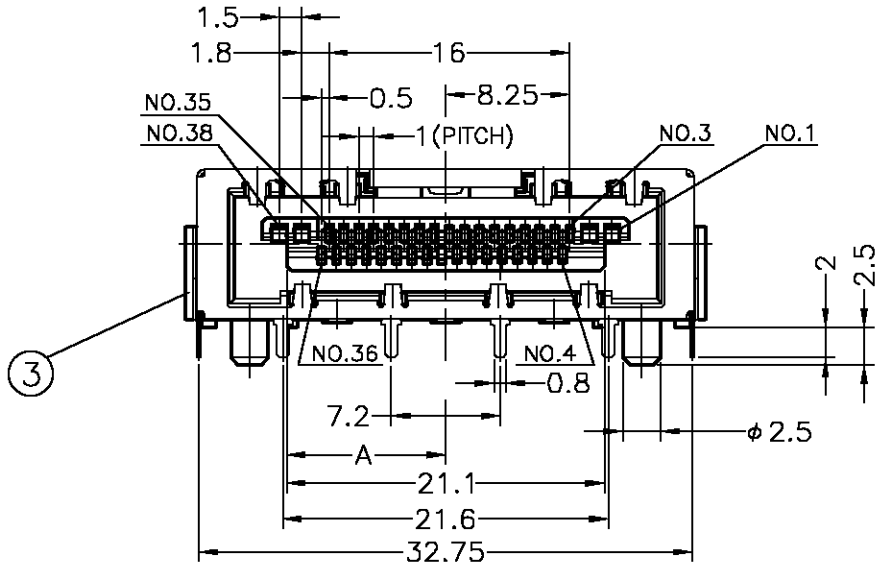
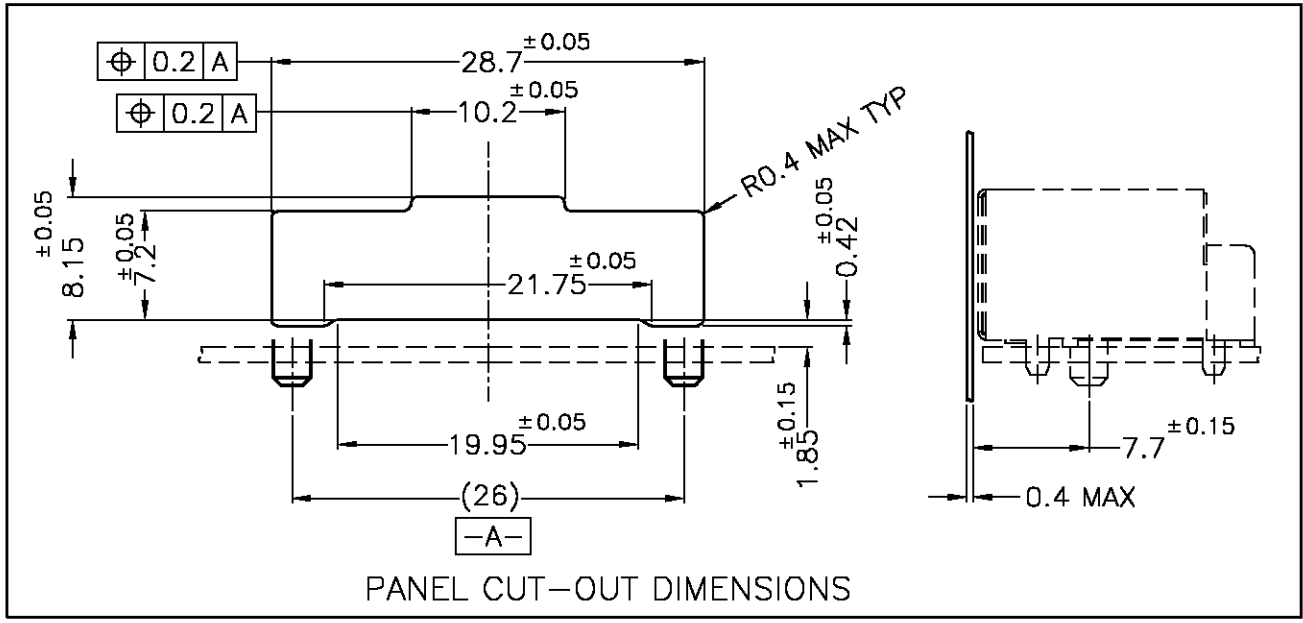
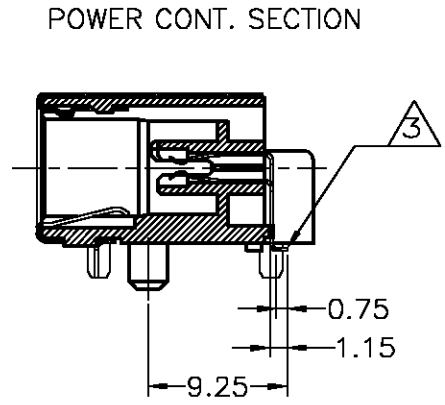
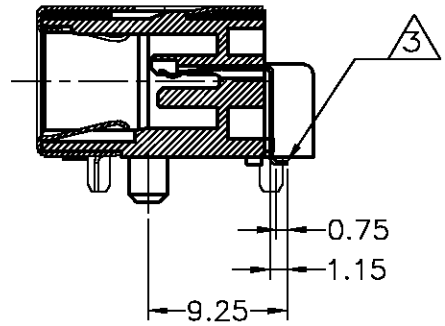
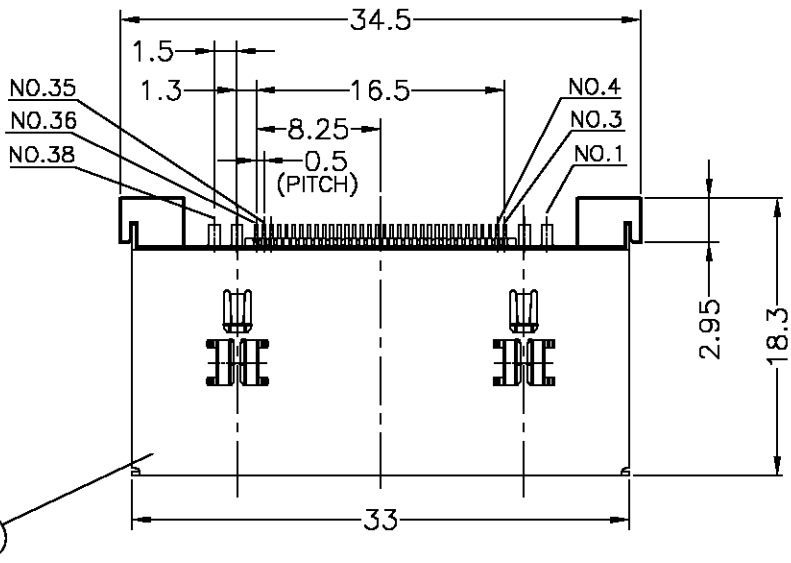


THIS DRAWING IS UNPUBLISHED. RELEASED FOR PUBLICATION

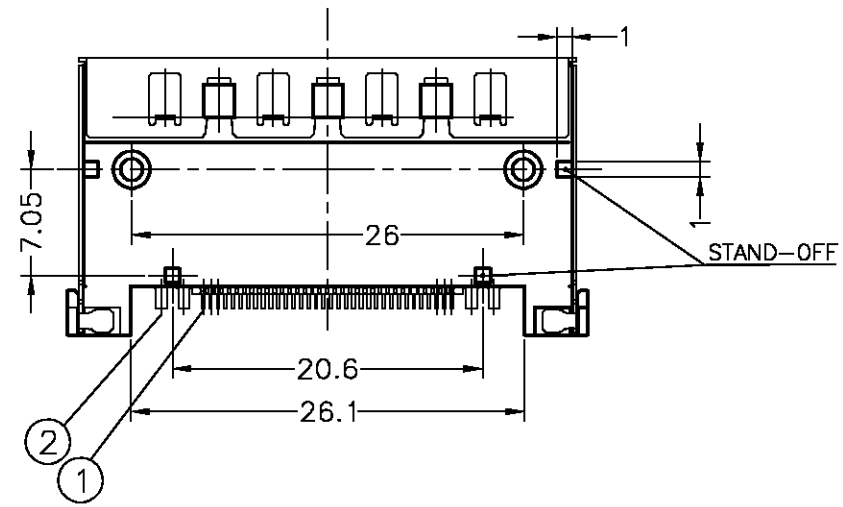
© COPYRIGHT BY TYCO ELECTRONICS CORPORATION. ALL RIGHTS RESERVED.

LOC	DIST	REVISIONS					
		P	LTR	DESCRIPTION	DATE	DWN	APVD
J	-	0		RELEASED FJBO-1203-04	02NOV04	A.K	Y.Y



P/N	EMBOSS
6376818-1	1-6376818-1

QTY	NAME	DIM A	MATERIAL	FINISH	ITEM NO.
1	SHELL	-	COPPER ALLOY	Tin PLATING	4
1	HOUSING WITH KEY 4	12.2	THERMOPLASTIC	-	3
1	HOUSING WITH KEY 3	11.1	THERMOPLASTIC	-	3
1	HOUSING WITH KEY 2	10.0	THERMOPLASTIC	-	3
1	HOUSING WITH KEY 1	8.9	THERMOPLASTIC	-	3
4	POWER CONTACT	-	COPPER ALLOY	CONTACT AREA: Au PI. OVER Ni PI.	2
34	SIGNAL CONTACT	-	COPPER ALLOY	SOLDER TAIL: Tin PI. OVER Ni PI.	1

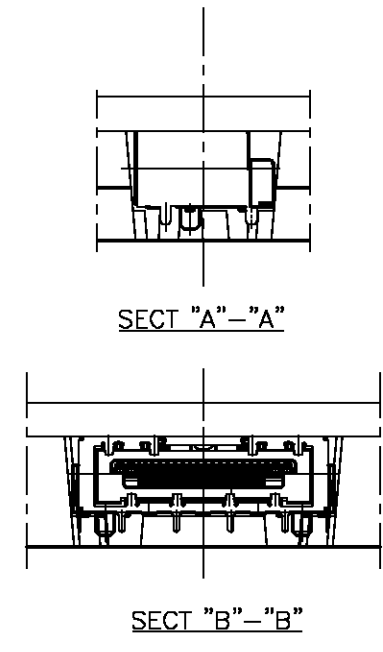
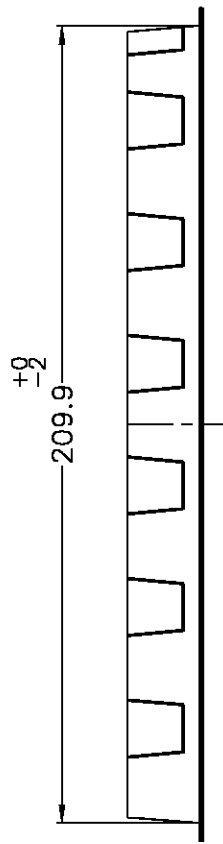
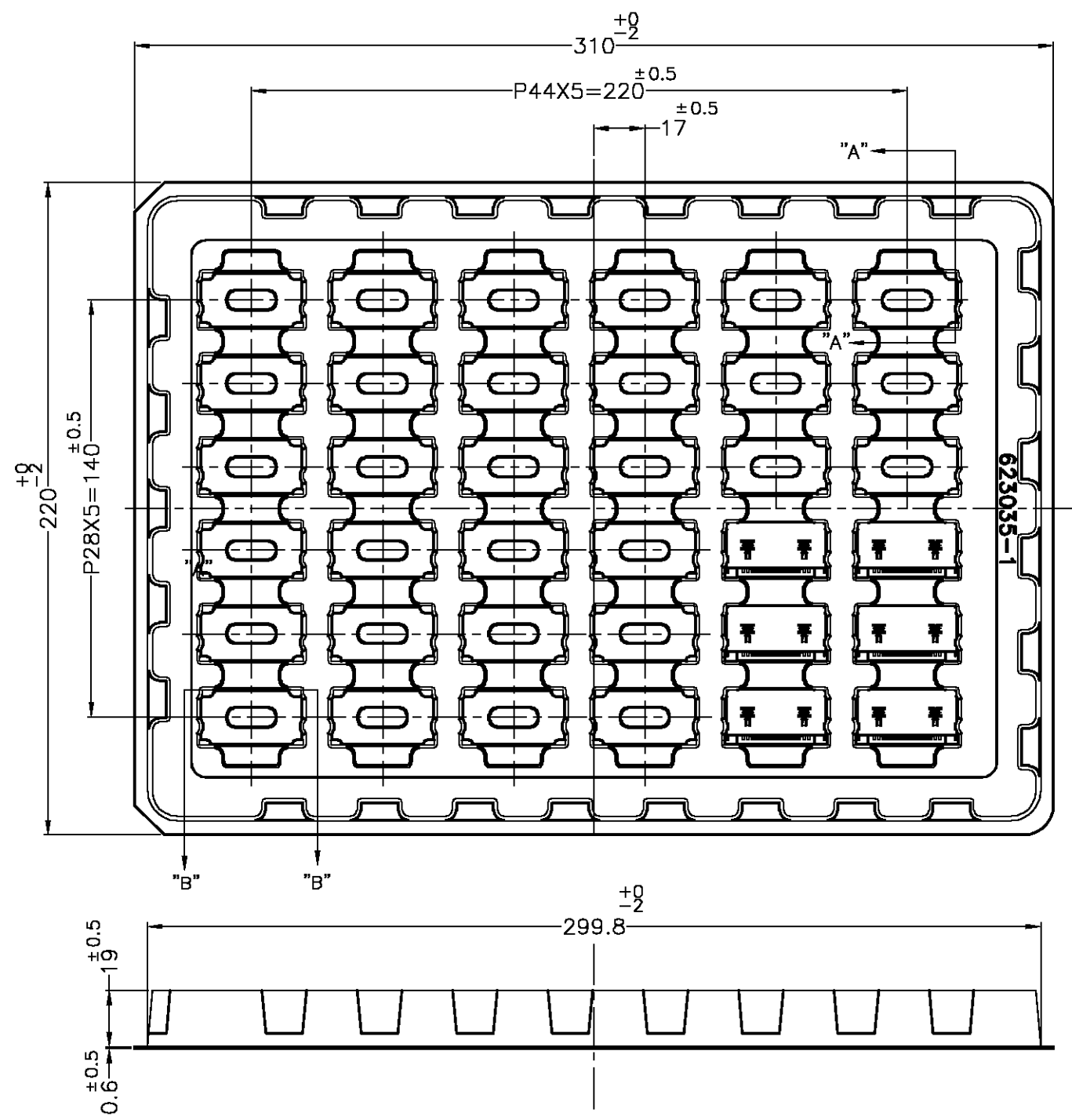


THIS DRAWING IS A CONTROLLED DOCUMENT.

DWN A.KUBO	01NOV04	tyco Electronics	Tyco Electronics AMP K.K. Kawasaki, Japan				
CHK S.KAJINUMA	02NOV04						
APVD Y.YAMAMOTO	02NOV04	NAME 名称	HEADER 1MM GIGA I/O CONN. LEAD-FREE				
DIMENSIONS: 单位: 耗 MM	TOLERANCES UNLESS OTHERWISE SPECIFIED: 一般公差	PRODUCT SPEC 製品規格 108-78219	APPLICATION SPEC 取付適用規格	SIZE	CAGE CODE	DRAWING NO 番号 6376818	RESTRICTED TO
MATERIAL 材料 SEE TABLE	FINISH 仕上 SEE TABLE	WEIGHT 6.3 g	CUSTOMER DRAWING	SCALE 尺度 2:1	SHEET 1 OF 4	REV 0	

THIS DRAWING IS UNPUBLISHED. RELEASED FOR PUBLICATION
 © COPYRIGHT BY TYCO ELECTRONICS CORPORATION. ALL RIGHTS RESERVED.

LOC	DIST	REVISIONS					
J	—	P	LTR	DESCRIPTION	DATE	DWN	APVD
		—		SEE SHEET 1	—	—	—



PACKING TYPE : TRAY ASSY
 AS SHOWN : -1

TRAY ASSY LAYOUT

36 PCS/TRAY
 QTY

THIS DRAWING IS A CONTROLLED DOCUMENT.		DWN	tyco Tyco Electronics AMP K.K.		
DIMENSIONS: 單位: 耗 MM		CHK	Kawasaki, Japan		
TOLERANCES UNLESS OTHERWISE SPECIFIED: 一般公差		APVD	NAME 名称		
0 PLC ± -		PRODUCT SPEC 製品規格	HEADER		
1 PLC ± -		APPLICATION SPEC 取付適用規格	1MM GIGA I/O CONN.		
2 PLC ± -		WEIGHT	SIZE	CAGE CODE	DRAWING NO
3 PLC ± -		CUSTOMER DRAWING	A3	00779	6376818
4 PLC ± -			SCALE	SHEET	REV
ANGLES ± -		尺度	NON	3 of 4	0
FINISH 仕上		RESTRICTED TO			
MATERIAL 材料		—			

